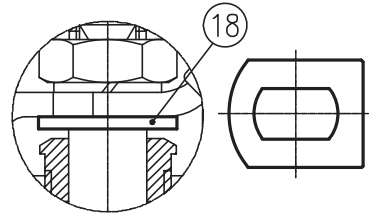
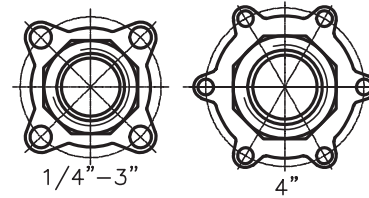
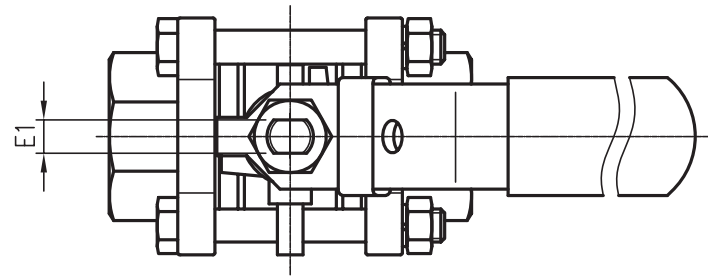


## Onnlne 2500K

3-PIECE FULL PORT BALL VALVES  
 1/4"~4" DN8~DN100  
 THREADED ENDS 1000/800PSI  
 with Anti-static Device

MATERIALS LIST			
NO.	PART NAME	QTY	MATERIAL
1	Body	1	CF8M
2	End Cap	2	CF8M
3	Ball	1	SS316/CF8M
4	Seat	2	CTFE
5	Joint Gasket	2	CTFE
6	Thrust Washer	1	CTFE
7	Stem	1	1/4"-3" SS316 4"-17" 4PH
8	Gland Packing	1 Set	CTFE
9	Gland Bush	1	SS304
10	Stem Washer	1	SS304
11	Stem Nut	1	SS304
12	Handle	1	SS304
13	Handle Cover	1	VINYL
14	Locking Device	1	SS304
15	Bolt	*	SS304
16	Bolt Nut	&	SS304
17	Blot Washer	&	SS304
18	Handle Washer	@	SS304
19	Anti-static Device	2	SS316



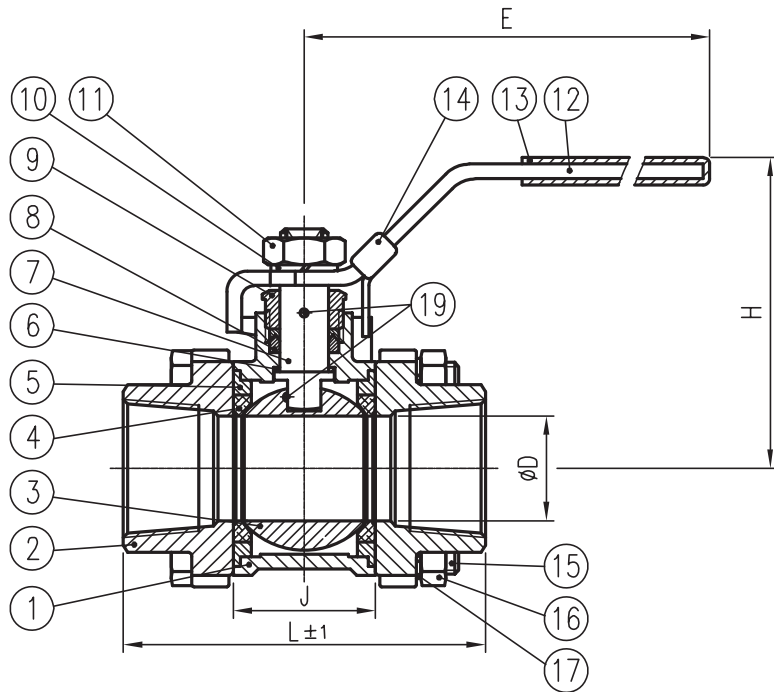
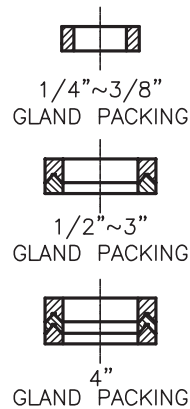
PS: For 4" USE

PS: \* For 1/4" to 2"-4pcs of bolts(single ended external thread)  
 \* For 2-1/2" to 3"-4pcs of bolts(double ended external thread)  
 \* For 4"-6pcs of bolts(double ended external thread)  
 & For 1/4" to 2"-4pcs  
 & For 2-1/2" to 3"-8pcs  
 & For 4"-12pcs  
 @ For 4"-1pc

Lorem ipsum

### DIMENSIONS(mm)

TUOTE	SIZE	ØD	L	H	E	E1	J	DN
-	1/4"	11.6	56.6	54	102	5	18.6	1/4" PF-NPT-PT
ABW358	3/8"	12.7	56.6	54	102	5	18.6	3/8" PF-NPT-PT
ABW359	1/2"	15	65.7	64	132	6.5	23.6	1/2" PF-NPT-PT
ABW360	3/4"	20	76.2	67	132	6.5	28	3/4" PF-NPT-PT
ABW361	1"	25	86.2	75	167	8	33.9	1" PF-NPT-PT
ABW362	1-1/4"	32	102.8	80	167	8	42.5	1-1/4" PF-NPT-PT
ABW363	1-1/2"	38	119.4	90	192	9.7	53.2	1-1/2" PF-NPT-PT
ABW364	2"	50	131.4	98	192	9.7	64.6	2" PF-NPT-PT
ABW365	2-1/2"	65	164	151	352	12	87	2-1/2" PF-NPT-PT
ABW366	3"	80	182.7	161	352	12	99	3" PF-NPT-PT
ABW367	4"	100	235.6	187	452	15	127	4" PF-NPT-PT



PS: 1/4"~2" 1000 WOG  
 2-1/2"~4" 800 WOG

NAME	DATE	DRAWING NAME	DRAWING NO.	VERSION	UNIT	SCALE	NO.	REV. NO.	REVISION	NAME	DATE	
RELEASED		3-PIECE FULL PORT BALL VALVES	ONNI250502001	0	mm	1:1						
CHECKED		DESCRIPTION			PROJECTION							
CREATED	ADAM	2025/05/02			Series S501-10	⊕						