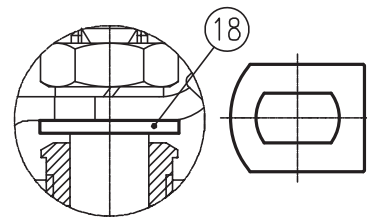
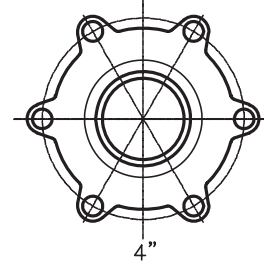
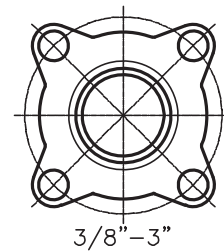
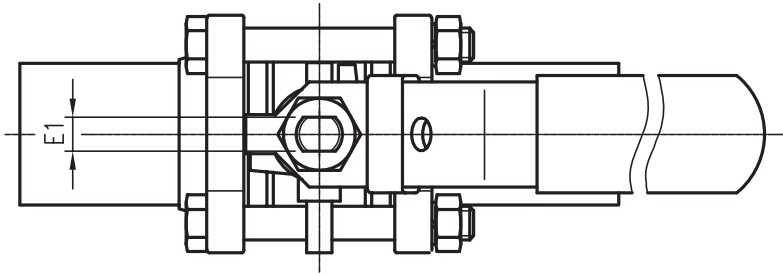


Onnline 2500H

3-PIECE FULL PORT BALL VALVES
 3/8"~4" DN10~DN100
 EXTENDED BUTT WELD ENDS 1000/800PSI
 with Anti-static Device

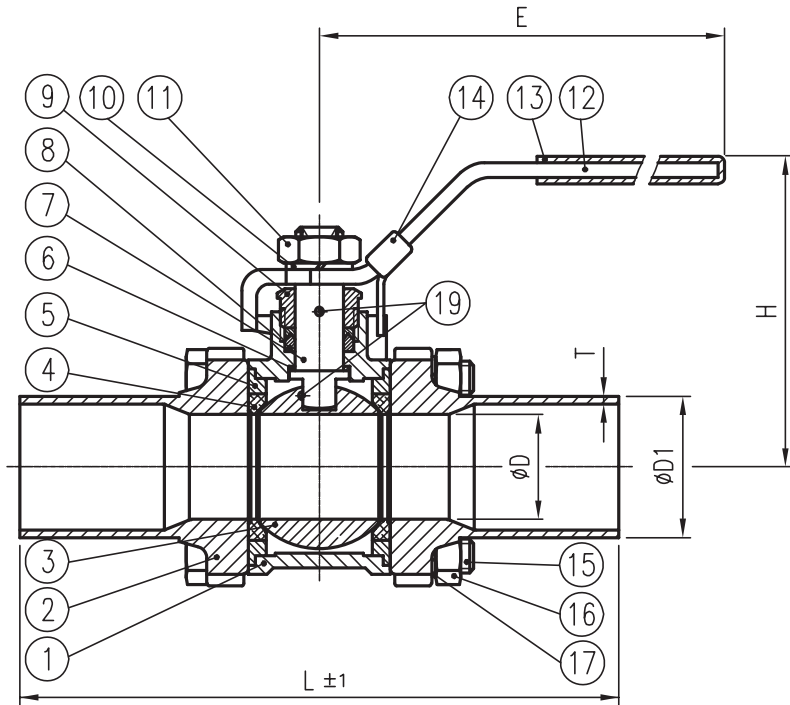


PS: For 4" USE

3/8"
GLAND PACKING

1/2"~3"
GLAND PACKING

4"
GLAND PACKING



PS: 3/8"~2" 1000 WOG
 2-1/2"~4" 800 WOG

MATERIALS LIST

| NO. | PART NAME | QTY | MATERIAL |
|-----|--------------------|------|---------------------------|
| 1 | Body | 1 | CF8M |
| 2 | End Cap | 2 | CF3M |
| 3 | Ball | 1 | SS316/CF8M |
| 4 | Seat | 2 | CTFE |
| 5 | Joint Gasket | 2 | CTFE |
| 6 | Thrust Washer | 1 | CTFE |
| 7 | Stem | 1 | 1/4"-3"SS316 4"x17-4PH |
| 8 | Gland Packing | 1Set | CTFE |
| 9 | Gland Bush | 1 | SS304 |
| 10 | Stem Washer | 1 | SS304 |
| 11 | Stem Nut | 1 | SS304 |
| 12 | Handle | 1 | SS304 |
| 13 | Handle Cover | 1 | VINYL |
| 14 | Locking Device | 1 | SS304 |
| 15 | Bolt | * | SS304 |
| 16 | Bolt Nut | & | SS304 |
| 17 | Blot Washer | & | SS304 |
| 18 | Handle Washer | @ | SS304 |
| 19 | Anti-static Device | 2 | SS316 |

PS: * For 3/8" to 2"-4pcs of bolts(single ended external thread)
 * For 2-1/2" to 3"-4pcs of bolts(double ended external thread)
 * For 4"-6pcs of bolts(double ended external thread)
 & For 3/8" to 2"-4pcs
 & For 2-1/2" to 3"-8pcs
 & For 4"-12pcs
 @ For 4"-1pc

DIMENSIONS(mm)

| TUOTE | SIZE | ØD | ØD1 | L | H | E | E1 | T |
|--------|--------|------|-------|-------|-----|-----|-----|-----|
| ABW338 | 3/8" | 12.7 | 17.2 | 120 | 54 | 102 | 5 | 1.6 |
| ABW339 | 1/2" | 15 | 21.3 | 140.2 | 64 | 132 | 6.5 | 1.6 |
| ABW340 | 3/4" | 20 | 26.9 | 140 | 67 | 132 | 6.5 | 1.6 |
| ABW341 | 1" | 25 | 33.7 | 152.2 | 75 | 167 | 8 | 1.8 |
| ABW342 | 1-1/4" | 32 | 42.4 | 165.1 | 80 | 167 | 8 | 2 |
| ABW343 | 1-1/2" | 38 | 48.3 | 190.4 | 90 | 192 | 9.7 | 2 |
| ABW344 | 2" | 50 | 60.3 | 203 | 98 | 192 | 9.7 | 2.5 |
| ABW345 | 2-1/2" | 65 | 76.1 | 254 | 151 | 352 | 12 | 3 |
| ABW346 | 3" | 80 | 88.9 | 280.2 | 161 | 352 | 12 | 3 |
| ABW347 | 4" | 100 | 114.3 | 317 | 187 | 452 | 15 | 3 |

| NAME | DATE | DRAWING NAME | DRAWING NO. | VERSION | UNIT | SCALE | NO. | | REV. NO. | REVISION | NAME | DATE |
|----------|------|-------------------------------|----------------|---------|------------|-------|-----|--|----------|----------|------|------|
| RELEASED | | 3-PIECE FULL PORT BALL VALVES | ONNI250502003 | 0 | mm | 1:1 | | | | | | |
| CHECKED | | DESCRIPTION | | | PROJECTION | | | | | | | |
| CREATED | ADAM | 2025/05/02 | Series S501-70 | | | | | | | | | |