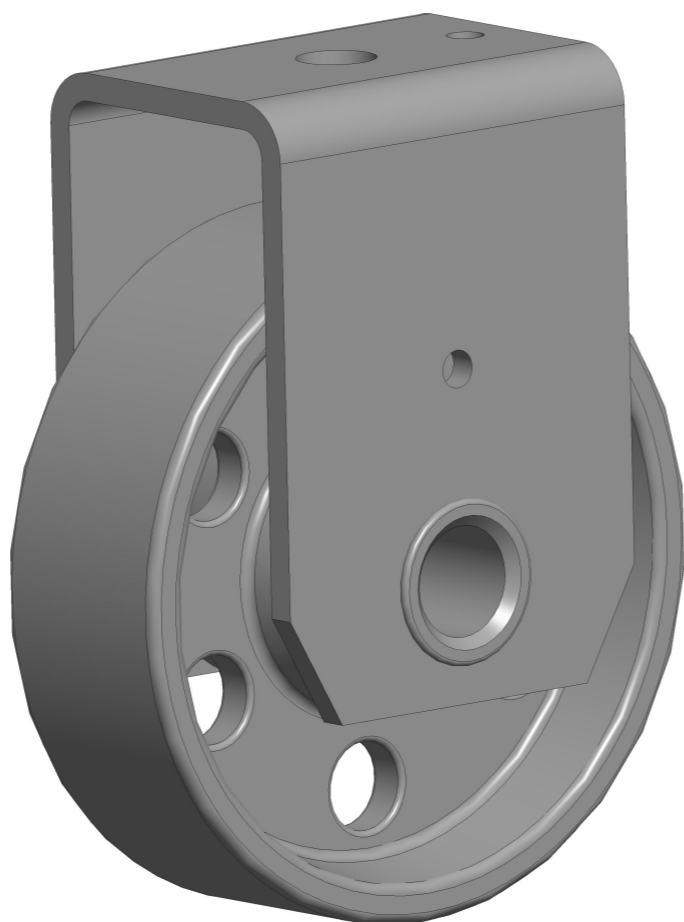
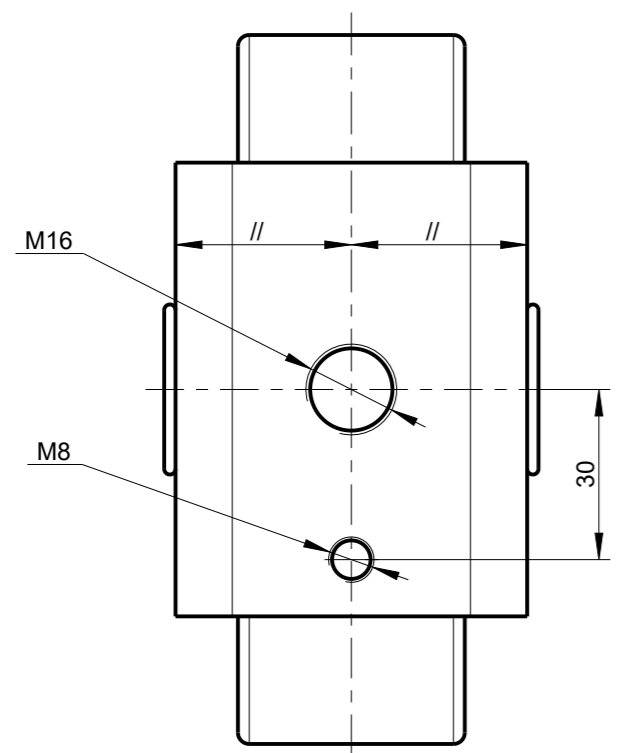
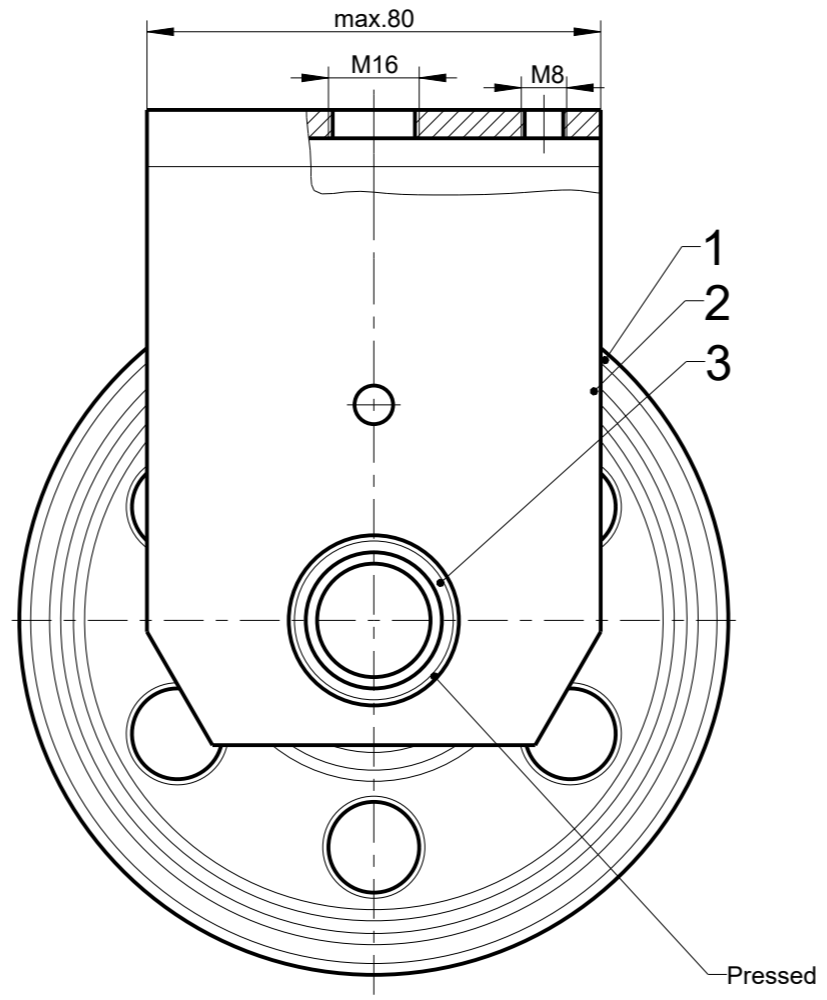
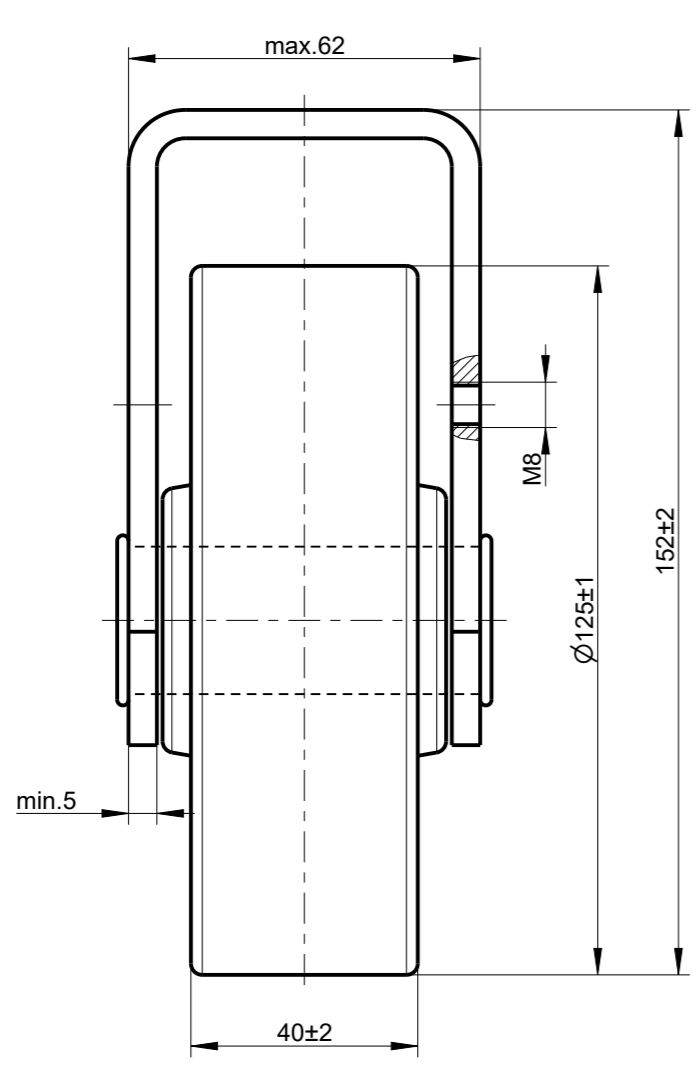


The reproduction, transmission or use of this document or its contents is not permitted without express written authority. Offenders will be liable for damages. All rights, including rights created by patent grant or registration of an utility model or design, are reserved.

Siemens Energy is a registered trademark licensed by Siemens AG

Dimensions in millimeters (mm) except marked differently



Total weight: 2.4 [kg]
 Dimensions according to IEC 60076-22-7.
 Corrosion protection: C3M
 Maximum load: 2.5 [t]

Item	Description	Weight [kg]	Remarks	Quantity
3	Tubular axle	0.1	-	1
2	Wheel housing	0.8	-	1
1	Wheel Ø125	1.5	-	1

General tolerances DIN ISO 2768-cL		Scale 3:4	Size A3H	Date of issue 2021.04.23.	CAD system Creo	Projection method 		
Responsible department TC RnD		Technical reference		Document type Assembly drawing	Project Global Library Item			
		Created by B.Szarka		Title, Supplementary title Transformer wheel(metal)		Drawing number G10 68 108		Order number
		Approved by B.Kis-Pap				Revision 1.0	Date of revision 2021.04.23.	Language EN