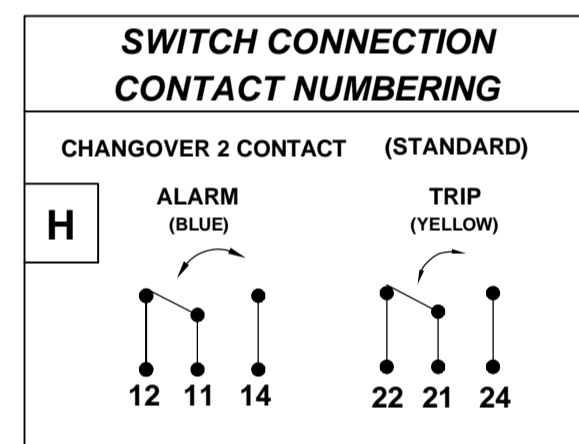


MODEL NO.	THREAD (G)	CHANGE OVER CONTACT
122-23-1H	G1" (ISO: 228)	2

SWITCH RATING	
MAX. VOLTAGE	MAX. CURRENT
250V AC	5 A
125V DC	0.4 A
250V DC	0.2 A

PART NO	DESCRIPTION	MATERIAL
01	BODY	ALUMINUM PDC (POWDER COATED) RAL 7033
02	WINDOW	ACRYLIC UV PROTECTED
03	CASE	ALUMINUM ALLOY (POWDER COATED) RAL 7033
04	GLAND FOR FITTING	BRASS
05	STEM	BRASS
06	BLUE (MIN.) TEMPERATURE SET POINTER	STAINLESS STEEL
07	YELLOW (MAX.) TEMPERATURE SET POINTER	STAINLESS STEEL
08	INDICATING SCALE (WHITE MARKING WITH BLACK BACKGROUND)	ALUMINIUM
09	WHITE POINTER FOR TEMP. INDICATING	BRASS
10	MAX INDICATING POINTER (COLOR- RED)	STAINLESS STEEL
11	'O' RING	NITRILE BUTADIENE
12	HEX. ADAPTER	ALUMINUM (ANODIZED)
13	SET KNOB	BRASS
14	GRUB SCREW	SS 304
15	FLAT RING	NEOPRENE



This product is certified

INSULATION TEST - 2000 V
COLOUR- RAL 7033
PROTECTION - IP 55
OPERATING RANGE - 0 - 120°C
MOUNTING - G1"
ACCURACY - ±5°C

Változás:

1. Bekötési séma aktualizálva. 2020.06.12. KG
2. Logó változott 2021.10.14. K.L.
3. Kapcsolási érték (switch rating) javítva. 2024.09.12. EF

Tervező:
Ellenőr: Moskovszky László
Dátum: 2016.12.07.

Típus:

Hőmérő

VIAT 122-23-1H

SIEMENS
energy

Siemens Energy is a trademark licensed by Siemens AG.

4 221 797 5