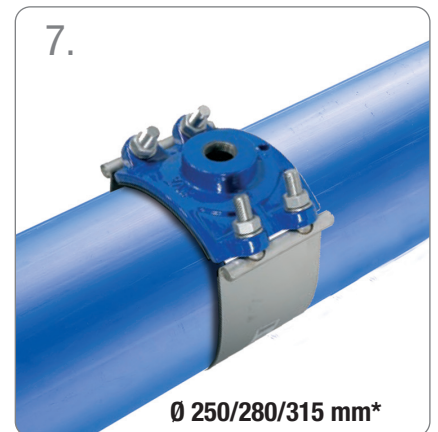
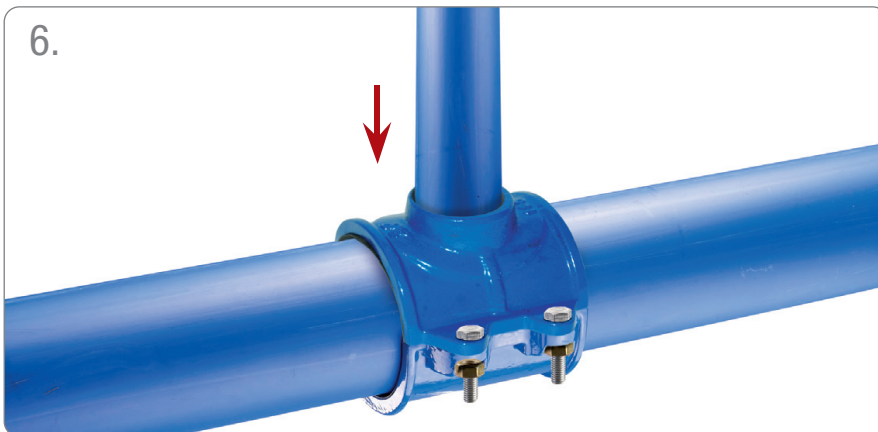
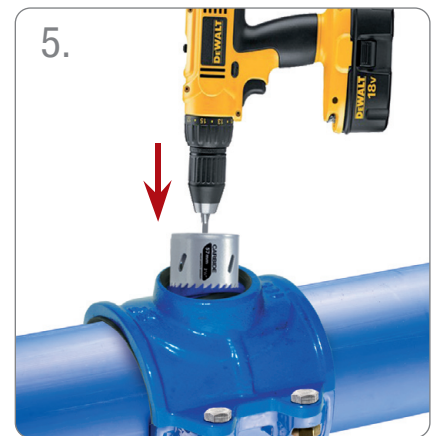
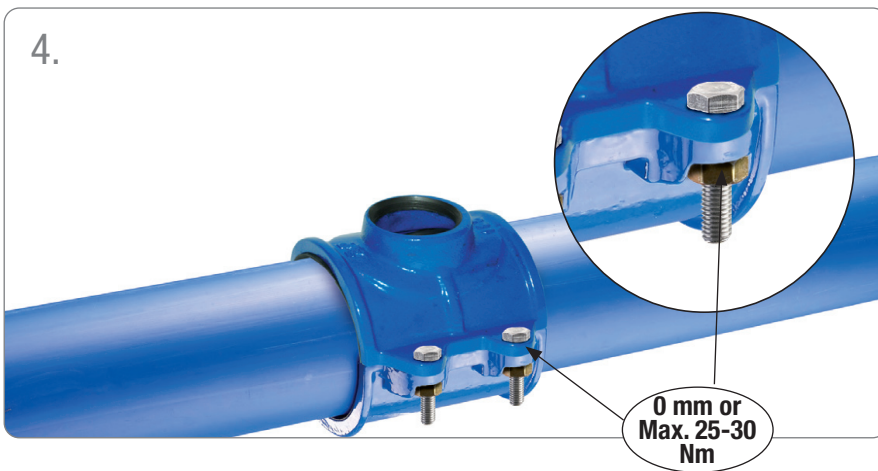
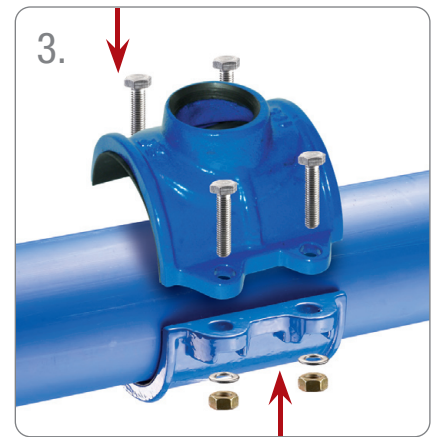
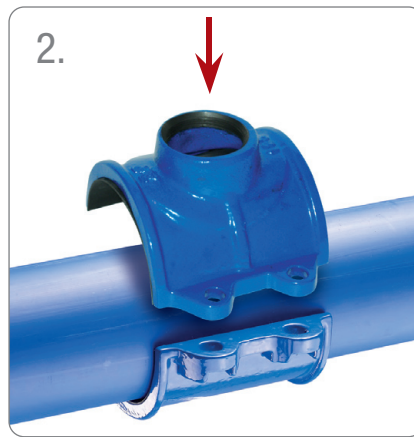


# AVK TAPPING SADDLE

# SERIES 10

Mounting instruction / Montagevejledning / Einbauanleitung / Instruction de montage



## AVK tapping saddle series 10

Ref. No.: XXXXXXXXXX

**CHECK !**



[www.avkvalves.eu](http://www.avkvalves.eu)

Pipe ext. Ø mm	Int pipe thread ISO 228 G 3/4"	Int pipe thread ISO 228 G 1"	Int pipe thread ISO 228 G 1 1/4"	Int pipe thread ISO 228 G 1 1/2"	Int pipe thread ISO 228 G 2"	Weight kg
	AVK Ref. no.	AVK Ref. no.	AVK Ref. no.	AVK Ref. no.	AVK Ref. no.	
50	10-050-40011	10-050-00011				1.4
63	10-063-40011	10-063-00011	10-063-10011	10-063-20011	10-063-30011	1.5
75	10-075-40011	10-075-00011	10-075-10011	10-075-20011	10-075-30011	2.1
90	10-090-40011	10-090-00011	10-090-10011	10-090-20011	10-090-30011	2.5
110	10-110-40011	10-110-00011	10-110-10011	10-110-20011	10-110-30011	3.4
125	10-125-40011	10-125-00011	10-125-10011	10-125-20011	10-125-30011	3.5
140	10-140-40011	10-140-00011	10-140-10011	10-140-20011	10-140-30011	5.2
160	10-160-40011	10-160-00011	10-160-10011	10-160-20011	10-160-30011	5.8
180	10-180-40011	10-180-00011	10-180-10011	10-180-20011	10-180-30011	6.5
200	10-200-40011	10-200-00011	10-200-10011	10-200-20011	10-200-30011	8.7
225	10-225-40011	10-225-00011	10-225-10011	10-225-20011	10-225-30011	9.5
250*	10-250-40011	10-250-00011	10-250-10011	10-250-20011	10-250-30011	3.6
280*	10-280-40011	10-280-00011	10-280-10011	10-280-20011	10-280-30011	3.7
315*	10-315-40011	10-315-00011	10-315-10011	10-315-20011	10-315-30011	3.8

\* SS - Bottom part

