



AVK REPAIR CLAMP TYPE FS20

748/02-1211

Fingers, stainless steel 304L, EPDM rubber, vulcanized spanner plate



AVK repair clamps ensure a cost effective and reliable solution for quick repairs on steel, copper, asbestos cement, cast iron, PVC and GRP pipes. A pipe with a hole or crack will be repaired permanently. The stainless steel repair clamps are passivated in order to ensure an optimum corrosion resistance. The repair clamps are provided with a waffle structured rubber gasket and rounded tops to create a fully circumferential seal.

Product description:

FS20 - Double band stainless steel repair clamp for water -40° C up to +120° C

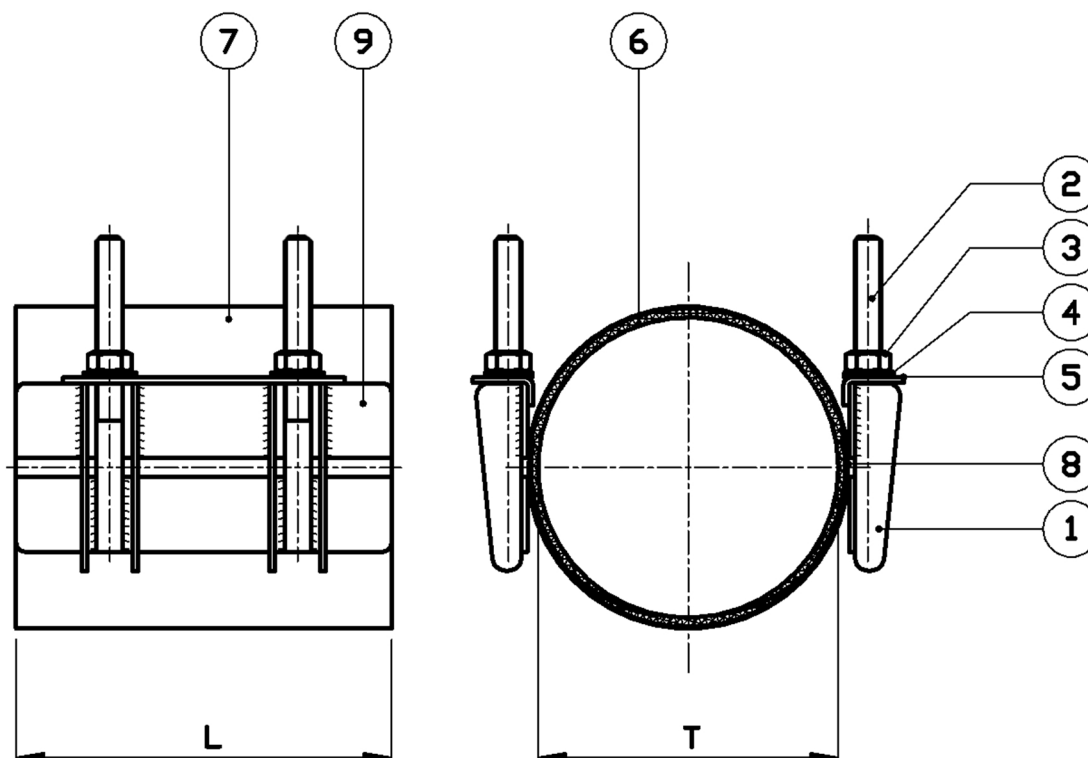
Test/Approvals:

- Tested by KIWA according to BS8561
- WRAS / W270 approved rubber
- Product approved acc. to KIWA BRL-K777

Features:

- Clamp made out of a pre-rolled plate of stainless steel 304L
- Clamp is manufactured with a hinge point in order to simplify installation
- Design with welded stainless steel 304L studs and fingers
- Clamp is completely pickled and passivated after welding
- Stainless steel nuts: A4 quality with anti-friction through yellow passivation to prevent galling
- Gasket of EPDM rubber with waffle structure and rounded tops
- Vulcanized spanner plate
- Tolerance of double band repair clamp is max. 24 mm (depends on diameter pipe)
- Clamp available in different diameters: DN 80 up to DN 600
- Clamp available in different lengths: 200, 250, 300, 400, 500 and 600 mm (other lengths on request)
- Indication pressure class for (waste)water: 16 bar for DN 80 up to DN 150, 10 bar for DN 175 up to DN 450 and 6 bar from DN 500





Component list:

1. Finger	Stainless steel AISI 304L	6. Lining	EPDM rubber
2. Stud	Stainless steel AISI 304L	7. Body plate	Stainless steel AISI 304L
3. Nut	Stainless steel A4, anti friction	8. Spanner plate vulcanized	Stainless steel AISI 304L
4. Washer	Stainless steel A4	9. Side plate	Stainless steel AISI 304L
5. Bridge	Stainless steel AISI 304L		

Components may be substituted with equivalent or higher class materials without prior notification.

Reference nos. and dimensions:

AVK ref. no.	T mm	L12 mm	Bolt Size (Metric)	Theoretical weight/kg
748-02-008815-1211	88 - 110	150	4XM14X180	3.0
748-02-008820-1211	88 - 110	200	4XM14X180	3.6
748-02-008825-1211	88 - 110	250	6XM14X180	4.9
748-02-008830-1211	88 - 110	300	6XM14X180	5.4
748-02-008840-1211	88 - 110	400	8XM14X180	7.2
748-02-010020-1211	100 - 120	200	4XM14X180	3.5
748-02-010030-1211	100 - 120	300	6XM14X180	5.3
748-02-010040-1211	100 - 120	400	8xM14x180	7.0
748-02-010060-1211	100 - 120	600	12XM14X180	12
748-02-010525-1211	105 - 125	250	6XM14X180	5.2
748-02-010530-1211	105 - 125	300	6XM14X180	5.8
748-02-010540-1211	105 - 125	400	8XM14X180	7.7
748-02-010820-1211	108 - 128	200	4XM14X180	3.8
748-02-010825-1211	108 - 128	250	6XM14X180	5.2
748-02-010830-1211	108 - 128	300	6XM14X180	5.8
748-02-010840-1211	108 - 128	400	8XM14X180	7.7
748-02-010850-1211	108 - 128	500	10XM14X180	9.7
748-02-011425-1211	114 - 136	250	6XM14X180	4.9
748-02-011430-1211	114 - 136	300	6XM14X180	5.8
748-02-011440-1211	114 - 136	400	8XM14X180	7.2
748-02-011450-1211	114 - 136	500	10XM14X180	9.7

The designs, materials and specifications shown are subject to change without notice due to the continuous development of our product range.

AVK REPAIR CLAMP TYPE FS20**748/02-1211****Fingers, stainless steel 304L, EPDM rubber, vulcanized spanner plate****Reference nos. and dimensions:**

AVK ref. no.	T mm	L12 mm	Bolt Size (Metric)	Theoretical weight/kg
748-02-012020-1211	120 - 140	200	4XM14X180	3.6
748-02-012030-1211	120 - 140	300	6XM14X180	5.5
748-02-012040-1211	120 - 140	400	8XM14x180	7.3
748-02-013020-1211	130 - 150	200	4XM14X180	3.7
748-02-013025-1211	130 - 150	250	6XM14X180	5.3
748-02-013030-1211	130 - 150	300	6XM14X180	5.8
748-02-013040-1211	130 - 150	400	8XM14X180	7.5
748-02-013520-1211	135 - 155	200	4XM14X180	3.8
748-02-013525-1211	135 - 155	250	6xM14x180	4.9
748-02-013530-1211	135 - 155	300	6XM14X180	5.9
748-02-014020-1211	140 - 160	200	4XM14X180	3.8
748-02-014025-1211	140 - 160	250	6XM14X180	5.4
748-02-014030-1211	140 - 160	300	6XM14X180	6.0
748-02-014040-1211	140 - 160	400	8XM14X180	7.9
748-02-014050-1211	140 - 160	500	10XM14X180	10.0
748-02-015020-1211	150 - 170	200	4XM14X180	3.9
748-02-015220-1211	152 - 174	200	4XM14X180	3.9
748-02-015920-1211	159 - 180	200	4XM14X180	4.1
748-02-015925-1211	159 - 180	250	6XM14X180	5.5
748-02-015930-1211	159 - 180	300	6XM14X180	6.2
748-02-015940-1211	159 - 180	400	8XM14X180	8.2
748-02-015950-1211	159 - 180	500	10XM14X180	10
748-02-015960-1211	159 - 180	600	12XM14X180	12
748-02-016520-1211	165 - 186	200	4XM14X180	4.0
748-02-016530-1211	165 - 186	300	6XM14X180	6.2
748-02-016550-1211	165 - 186	500	10XM14X180	10
748-02-016825-1211	168 - 190	250	6XM14X180	5.4
748-02-016830-1211	168 - 190	300	6XM14X180	6.1
748-02-016840-1211	168 - 190	400	8XM14X180	8.0
748-02-016850-1211	168 - 190	500	10XM14X180	10
748-02-017630-1211	176 - 196	300	6XM14X180	6.3
748-02-019020-1211	190 - 210	200	4XM14X180	4.3
748-02-019030-1211	190 - 210	300	6XM14X180	6.5
748-02-019040-1211	190 - 210	400	8XM14X180	8.3
748-02-019525-1211	195 - 217	250	6XM14X180	5.6
748-02-019530-1211	195 - 217	300	6XM14X180	6.3
748-02-021020-1211	210 - 230	200	4XM14X180	4.4
748-02-021030-1211	210 - 230	300	6XM14X180	6.7
748-02-021040-1211	210 - 230	400	8XM14X180	8.8
748-02-021050-1211	210 - 230	500	10XM14X180	11
748-02-021060-1211	210 - 230	600	12XM14X180	13
748-02-021520-1211	215 - 238	200	4XM14X180	4.4
748-02-021525-1211	215 - 238	250	6XM14X180	5.8
748-02-021530-1211	215 - 238	300	6XM14X180	6.7
748-02-021540-1211	215 - 238	400	8XM14X180	8.9
748-02-021550-1211	215 - 238	500	10XM14X180	11
748-02-021580-1211	215 - 238	800	16XM14X180	17
748-02-022520-1211	225 - 246	200	4XM14X180	4.4
748-02-022530-1211	225 - 246	300	6XM14X180	6.9
748-02-022540-1211	225 - 246	400	8XM14X180	9.1
748-02-023025-1211	230 - 250	250	6xM14x180	6.0
748-02-023030-1211	230 - 250	300	6XM14X180	6.7
748-02-023040-1211	230 - 250	400	8XM14X180	9.1
748-02-023050-1211	230 - 250	500	10xM14x180	11
748-02-024020-1211	240 - 260	200	4XM14X180	4.7
748-02-024030-1211	240 - 260	300	6XM14X180	7.0
748-02-024040-1211	240 - 260	400	8XM14X180	9.3
748-02-024080-1211	240 - 260	800	16xM14x180	18
748-02-025020-1211	250 - 270	200	4XM14X180	4.6
748-02-025030-1211	250 - 270	300	6XM14X180	7.1
748-02-026320-1211	263 - 285	200	4XM14X180	4.7

The designs, materials and specifications shown are subject to change without notice due to the continuous development of our product range.

AVK REPAIR CLAMP TYPE FS20**748/02-1211****Fingers, stainless steel 304L, EPDM rubber, vulcanized spanner plate****Reference nos. and dimensions:**

AVK ref. no.	T mm	L12 mm	Bolt Size (Metric)	Theoretical weight/kg
748-02-026330-1211	263 - 285	300	6XM14X180	7.3
748-02-026340-1211	263 - 285	400	8XM14X180	9.6
748-02-026350-1211	263 - 285	500	10XM14X180	12
748-02-026920-1211	269 - 289	200	4XM14X180	4.8
748-02-026930-1211	269 - 289	300	6XM14X180	7.3
748-02-026940-1211	269 - 289	400	8XM14X180	9.7
748-02-027330-1211	273 - 293	300	6XM16X180	8.2
748-02-027340-1211	273 - 293	400	8XM16X180	11
748-02-028220-1211	282 - 302	200	4XM16X180	5.5
748-02-028230-1211	282 - 302	300	6XM16X180	8.1
748-02-028240-1211	282 - 302	400	8XM16X180	11
748-02-029040-1211	290 - 315	400	8XM16X180	11
748-02-029520-1211	295 - 315	200	4XM16X180	5.5
748-02-029530-1211	295 - 315	300	6XM16X180	8.4
748-02-029550-1211	295 - 315	500	10XM16X180	14
748-02-030540-1211	305 - 325	400	8XM16X180	11
748-02-030560-1211	305 - 325	600	12XM16X180	17
748-02-030580-1211	305 - 325	800	16XM16X180	22
748-02-031020-1211	310 - 330	200	4XM16X180	5.6
748-02-031040-1211	310 - 330	400	8XM16X180	11
748-02-031520-1211	315 - 335	200	4XM16X180	5.6
748-02-031525-1211	315 - 335	250	6xM16x180	7.5
748-02-031530-1211	315 - 335	300	6XM16X180	8.7
748-02-031540-1211	315 - 335	400	8XM16X180	12
748-02-031550-1211	315 - 335	500	10XM16X180	14
748-02-031560-1211	315 - 335	600	12XM16X180	17
748-02-032230-1211	322 - 344	300	6XM16X180	8.8
748-02-032240-1211	322 - 344	400	8XM16X180	12
748-02-032250-1211	322 - 344	500	10XM16X180	15
748-02-033730-1211	337 - 361	300	6XM16X180	8.9
748-02-033750-1211	337 - 361	500	10XM16X180	15
748-02-034720-1211	347 - 370	200	4xM16x180	5.9
748-02-034725-1211	347 - 370	250	6XM16X180	7.8
748-02-034730-1211	347 - 370	300	6XM16X180	8.9
748-02-034740-1211	347 - 370	400	8XM16X180	12
748-02-034750-1211	347 - 370	500	10XM16X180	15
748-02-034760-1211	347 - 370	600	12XM16X180	19
748-02-036525-1211	365 - 385	250	6XM16X180	8.0
748-02-036530-1211	365 - 385	300	6XM16X180	9.3
748-02-036540-1211	365 - 385	400	8XM16X180	12
748-02-036550-1211	365 - 385	500	10XM16X180	16
748-02-036560-1211	365 - 385	600	12XM16X180	18
748-02-037230-1211	372 - 395	300	6XM16X180	9.2
748-02-038230-1211	382 - 402	300	6XM16X180	9.2
748-02-038280-1211	382 - 402	800	16xM16x180	25
748-02-039040-1211	390 - 410	400	8XM16X180	13
748-02-039625-1211	396 - 420	250	6XM16X180	8.5
748-02-039630-1211	396 - 420	300	6XM16X180	9.6
748-02-039640-1211	396 - 420	400	8XM16X180	13
748-02-039650-1211	396 - 420	500	10XM16X180	16
748-02-040430-1211	404 - 424	300	6XM16X180	9.4
748-02-041025-1211	410 - 430	250	6XM16X180	8.6
748-02-041030-1211	410 - 430	300	6XM16X180	9.9
748-02-041040-1211	410 - 430	400	8XM16X180	13
748-02-041525-1211	415 - 435	250	6XM16X180	8.7
748-02-042030-1211	420 - 440	300	6XM16X180	12
748-02-042040-1211	420 - 440	400	8XM16X180	16
748-02-042050-1211	420 - 440	500	10XM16X180	20
748-02-042060-1211	420 - 440	600	12XM16X180	24
748-02-042070-1211	420 - 440	700	14XM16X180	28
748-02-043530-1211	435 - 455	300	6XM16X180	12

The designs, materials and specifications shown are subject to change without notice due to the continuous development of our product range.

AVK REPAIR CLAMP TYPE FS20**748/02-1211****Fingers, stainless steel 304L, EPDM rubber, vulcanized spanner plate****Reference nos. and dimensions:**

AVK ref. no.	T mm	L12 mm	Bolt Size (Metric)	Theoretical weight/kg
748-02-043540-1211	435 - 455	400	8XM16X180	16
748-02-043580-1211	435 - 455	800	16xM16x180	31
748-02-044030-1211	440 - 465	300	6XM16X180	12
748-02-044050-1211	440 - 465	500	10XM16X180	23
748-02-045030-1211	450 - 470	300	6XM16X180	12
748-02-045050-1211	450 - 470	500	10XM16X180	23
748-02-046820-1211	468 - 490	200	4XM16X180	8.1
748-02-046830-1211	468 - 490	300	6XM16X180	12
748-02-046840-1211	468 - 490	400	8XM16X180	16
748-02-049020-1211	490 - 510	200	4XM16X180	8.3
748-02-049030-1211	490 - 510	300	6XM16X180	12
748-02-049040-1211	490 - 510	400	8XM16X180	17
748-02-049060-1211	490 - 510	600	12XM16X180	28
748-02-050520-1211	505 - 530	200	4XM16X180	8.4
748-02-050530-1211	505 - 530	300	6XM16X180	14
748-02-050540-1211	505 - 530	400	8XM16X180	19
748-02-050550-1211	505 - 530	500	10XM16X180	24
748-02-050560-1211	505 - 530	600	12XM16X180	29
748-02-052020-1211	520 - 540	200	4XM16X180	8.5
748-02-052040-1211	520 - 540	400	8XM16X180	19
748-02-052050-1211	520 - 540	500	10XM16X180	24
748-02-052060-1211	520 - 540	600	12XM16X180	29
748-02-052070-1211	520 - 540	700	14XM16X180	34
748-02-052530-1211	525 - 550	300	6XM16X180	15
748-02-052540-1211	525 - 550	400	8XM16X180	17
748-02-052560-1211	525 - 550	600	12XM16X180	26
748-02-054050-1211	540 - 565	500	10XM16X180	25
748-02-055020-1211	550 - 570	200	4XM16X180	8.7
748-02-055030-1211	550 - 570	300	6XM16X180	13
748-02-055040-1211	550 - 570	400	8XM16X180	18
748-02-055050-1211	550 - 570	500	10XM16X180	22
748-02-058020-1211	580 - 605	200	4XM16X180	9.0
748-02-059020-1211	590 - 610	200	4xM16x180	9.0
748-02-059030-1211	590 - 610	300	6XM16X180	14
748-02-059050-1211	590 - 610	500	10XM16X180	23
748-02-059060-1211	590 - 610	600	12XM16X180	31
748-02-060520-1211	605 - 630	200	4XM16X180	9.2
748-02-060560-1211	605 - 630	600	12XM16X180	31
748-02-062060-1211	620 - 645	600	12XM16X180	28
748-02-062070-1211	620 - 645	700	14XM16X180	37
748-02-063020-1211	630 - 650	200	4XM16X180	9.3