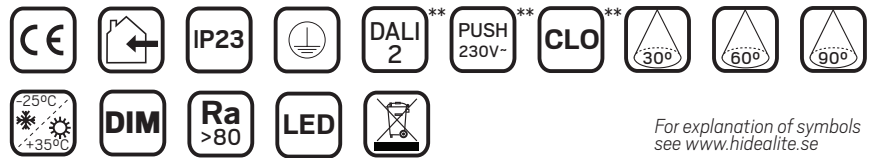
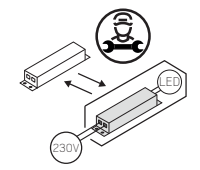
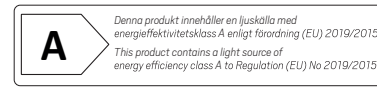


E-nr	Sno	El.nr	GTIN	Name	LED color	Unit effect
7219965	4318415	3369479	7392971152202	Indline G2 IP23 M 30° Casambi	4000K	80W
7219966	4318416	3369480	7392971152219	Indline G2 IP23 M 60° Casambi	4000K	80W
7219967	4318417	3369481	7392971152226	Indline G2 IP23 M 90° Casambi	4000K	80W
7220208	4318465	3369482	7392971152820	Indline G2 IP23 M 30° Casambi PIR	4000K	80W
7220209	4318466	3369483	7392971152837	Indline G2 IP23 M 60° Casambi PIR	4000K	80W
7220210	4318467	3369484	7392971152844	Indline G2 IP23 M 90° Casambi PIR	4000K	80W
7219976	4318426	3369493	7392971152318	Indline G2 IP23 L 30° Casambi	4000K	100W
7219977	4318427	3369494	7392971152325	Indline G2 IP23 L 60° Casambi	4000K	100W
7219978	4318428	3369495	7392971152332	Indline G2 IP23 L 90° Casambi	4000K	100W
7220211	4318468	3369496	7392971152851	Indline G2 IP23 L 30° Casambi PIR	4000K	100W
7220212	4318469	3369497	7392971152868	Indline G2 IP23 L 60° Casambi PIR	4000K	100W
7220213	4318470	3369498	7392971152875	Indline G2 IP23 L 90° Casambi PIR	4000K	100W
7219987	4318437	3369507	7392971152424	Indline G2 IP23 XL 30° Casambi	4000K	127W
7219988	4318438	3369508	7392971152431	Indline G2 IP23 XL 60° Casambi	4000K	127W
7219989	4318439	3369509	7392971152448	Indline G2 IP23 XL 90° Casambi	4000K	127W
7220214	4318471	3369510	7392971152882	Indline G2 IP23 XL 30° Casambi PIR	4000K	127W
7220215	4318472	3369511	7392971152899	Indline G2 IP23 XL 60° Casambi PIR	4000K	127W
7220216	4318473	3369512	7392971152905	Indline G2 IP23 XL 90° Casambi PIR	4000K	127W



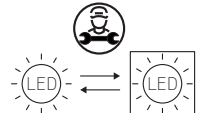
SAFETY INSTRUCTIONS

- en** Read these instructions carefully before commencing installation and retain for future reference. The luminaire should be installed by a licensed electrician and in accordance with local regulations. Make sure that the power is off before installation or maintenance.
- sv** Läs dessa instruktioner före installationen påbörjas och lämna den vidare till brukaren av anläggningen. Armaturen skall installeras av behörig installatör och enligt gällande föreskrifter. Se till att spänningen är frånslagen före installation eller underhåll.
- fi** Lue nämä ohjeet ennen asentamista ja luovuta ohjeet valaisimen seuraavalle käyttäjälle. Valaisimen saa asentaa valtuutettu asentaja voimassa olevien määräysten mukaisesti. Varmista, että jännite on kytketty päältä ennen asennusta ja huoltoa.
- no** Les disse instruksjonene før du starter installeringen, og gi den deretter videre til anleggets bruker. Armaturen skal installeres av en godkjent installatør og i henhold til gjeldende lover og regler. Sørg for at strømmen er koblet fra før installering og ved vedlikehold.
- da** Læs denne vejledning omhyggeligt, før installationen udføres og gem den til fremtidig brug. Armaturet skal installeres af en autoriseret installatør i henhold til gældende love og regler. Sørg strømmen er afbrudt før installation og vedligeholdelse.
- de** Lesen Sie diese Anweisungen sorgfältig, bevor Sie mit der Installation beginnen, und bewahren Sie sie für späteres Nachschlagen auf. Dieses Leuchtmittel muss durch einen lizenzierten Elektriker im Einklang mit den örtlichen Vorschriften installiert werden. Stellen Sie vor Installations- oder Wartungsarbeiten sicher, dass keine Spannung mehr anliegt.
- pl** Przed przystąpieniem do instalacji należy się uważnie zapoznać z instrukcją i zachować ją na przyszłość. Oprawę oświetleniową powinien zainstalować uprawniony elektryk zgodnie z miejscowymi przepisami. Przed instalacją lub konserwacją wyłączyć zasilanie.
- fr** Lisez attentivement ces consignes avant de commencer l'installation. Pensez également à vous y reporter ultérieurement. Le luminaire doit être installé par un électricien agréé, conformément à la réglementation locale. Veillez à couper le courant avant l'installation et toute opération de maintenance.



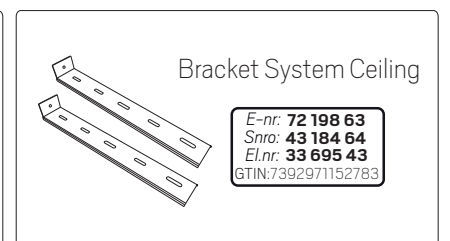
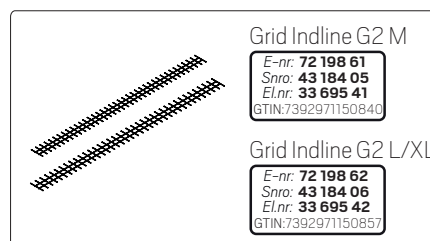
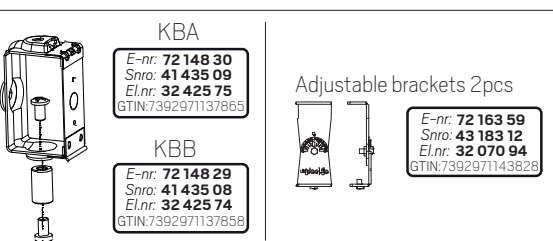
Note

- When used as a controllable luminaires, the classification of insulation that maintained between LV supply and control conductors is basic insulation.
- Indline G2 IP23 M Casambi / Indline G2 IP23 M Casambi PIR ---Maximum connection current is 16A, up to 40PCS can be connected.
Indline G2 IP23 L Casambi / Indline G2 IP23 L Casambi PIR ---Maximum connection current is 16A, up to 32PCS can be connected.
Indline G2 IP23 XL Casambi / Indline G2 IP23 XL Casambi PIR ---Maximum connection current is 16A, up to 26PCS can be connected.

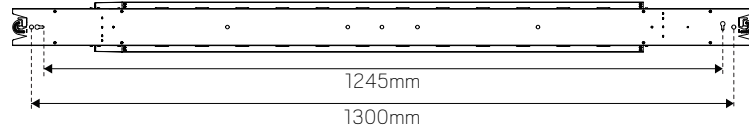


The light source contained in this luminaire shall only be replaced by the manufacturer or his service agent or a similar qualified person.

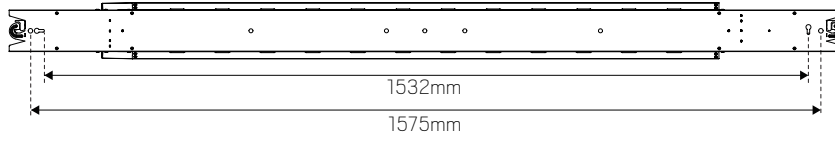
Accessories



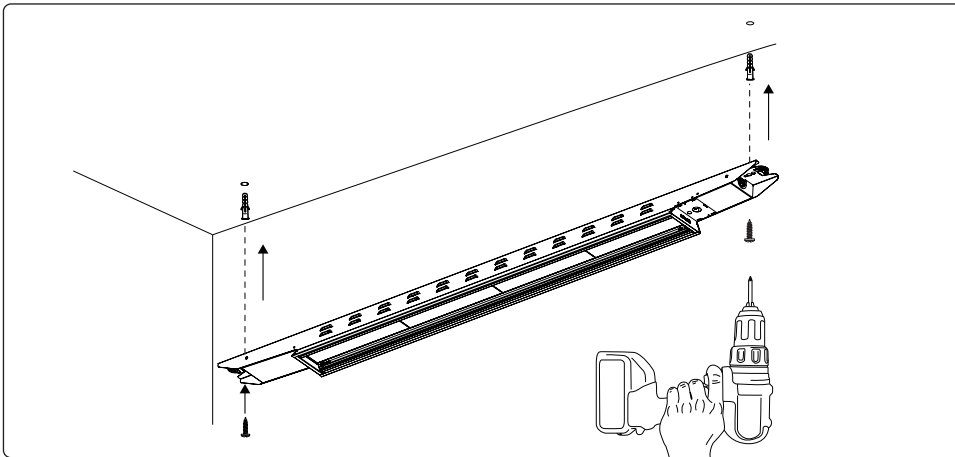
Indline G2 IP23 M



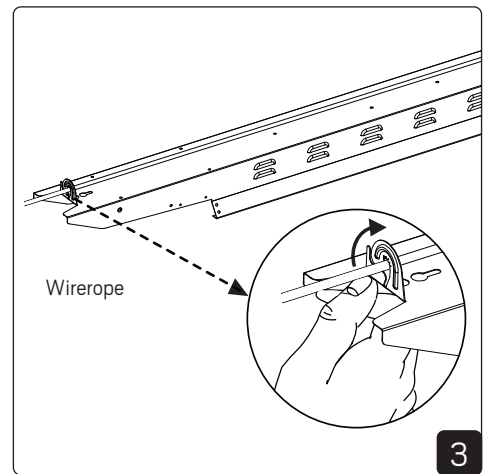
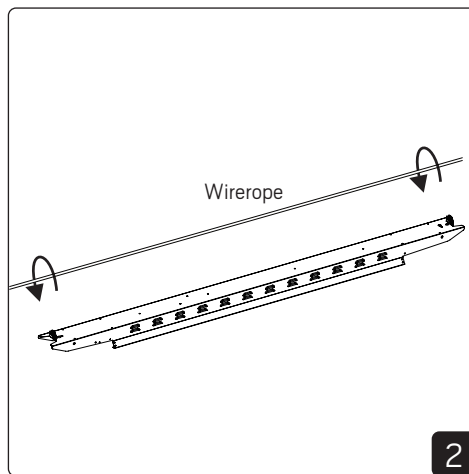
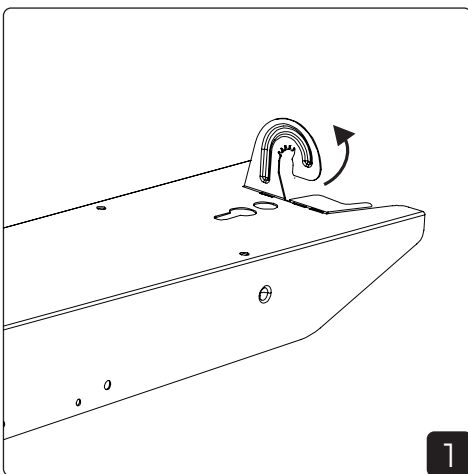
Indline G2 IP23 L / XL



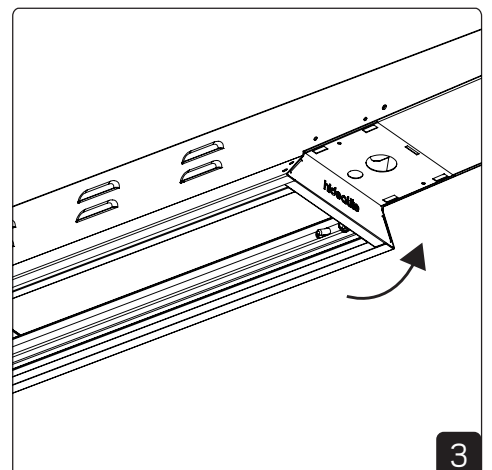
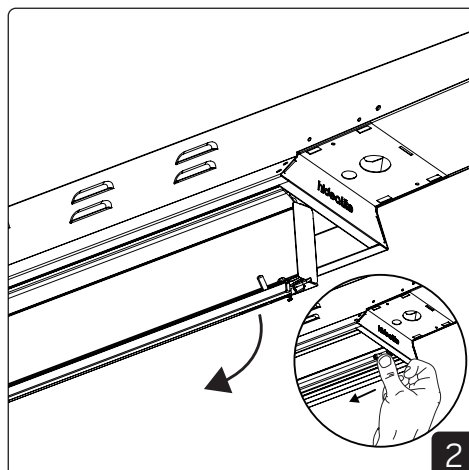
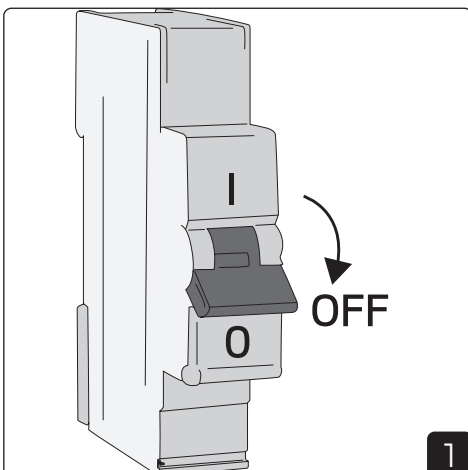
Mounting Surface



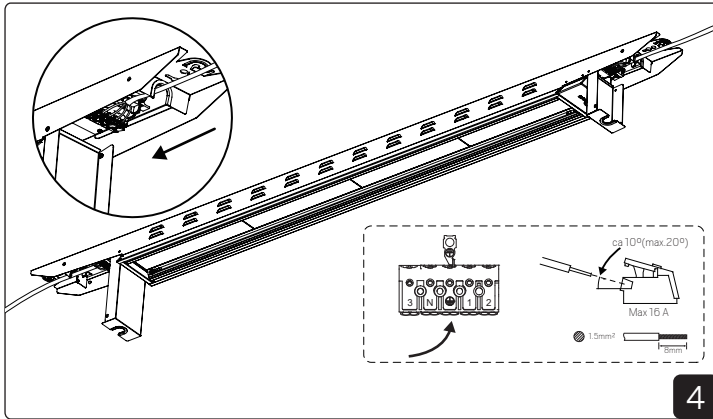
Mounting Wire



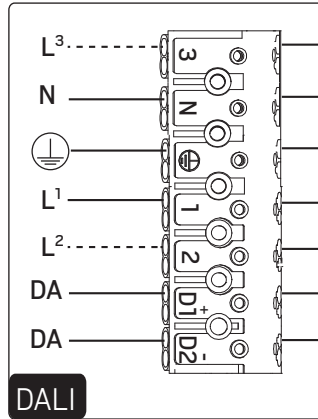
Connection



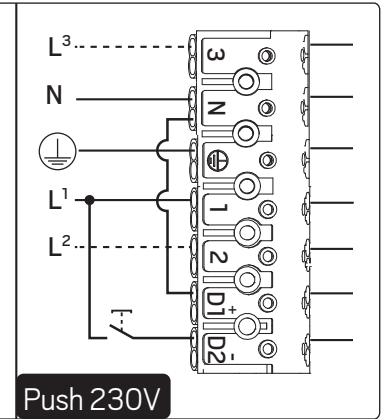
Strain relief optional if needed



4



DALI



Push 230V

Installation guidelines

NOTICE: Ensure you read the following guidelines thoroughly before using.

1. Height and Distance Requirements

- Mounting height shall not exceed 3m.
- Maintain a distance of over 2m from wireless devices (e.g., routers, switches) to avoid interference.

2. Avoid Heat Sources

Place the fixture away from air conditioners, refrigerators, stoves, and areas with strong airflow or heat.

3. Optimal Temperature

The sensor performs best below 25°C. Sensitivity decreases in hotter environments, especially near body temperature.

4. Motion Direction

Side-to-side movement is detected better than movement directly toward the sensor.

5. Clear Line of Sight

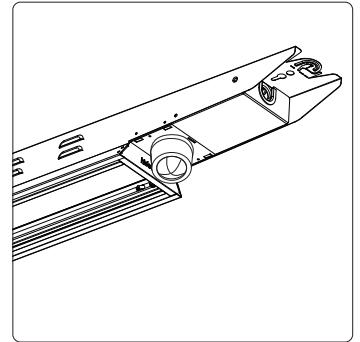
Position the sensor where people move most, ensuring nothing like glass, fabric, or objects block its view, as these can obstruct infrared signals.

6. Stable Installation

Install the Fixture on a solid, stable surface. Avoid mounting it in a way that causes movement or shaking, which can lead to false alarms.

7. Adjust Sensitivity

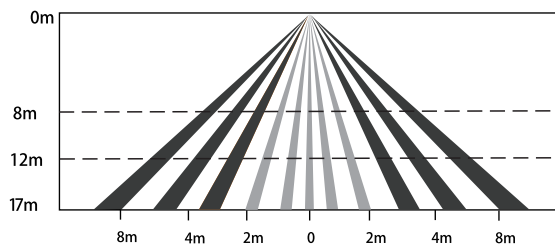
Set the detection sensitivity appropriately for the actual usage scenario to prevent false triggers or excessive detection leading to energy waste.



Casambi PIR

Detection Pattern

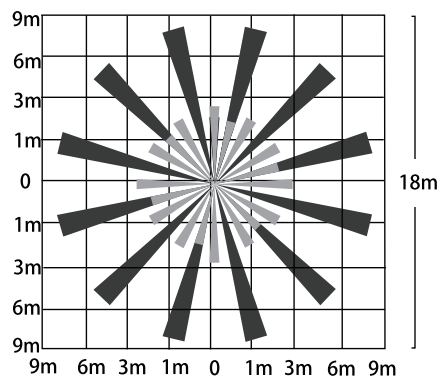
Coverage Side View



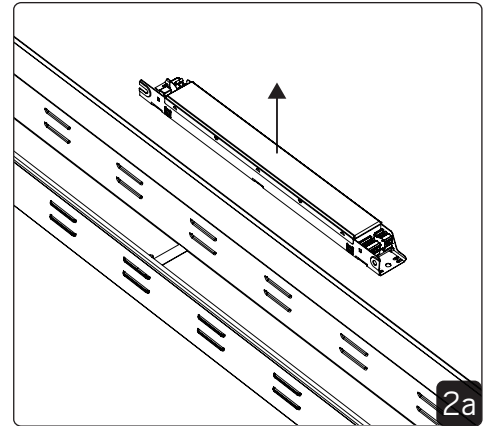
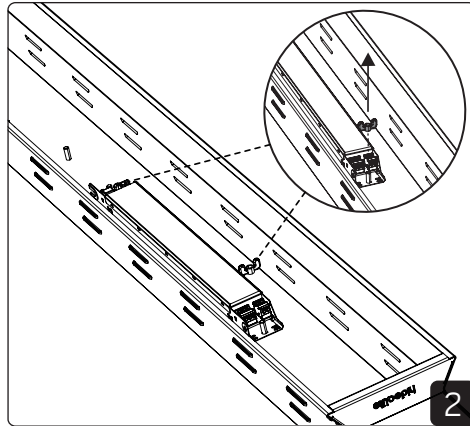
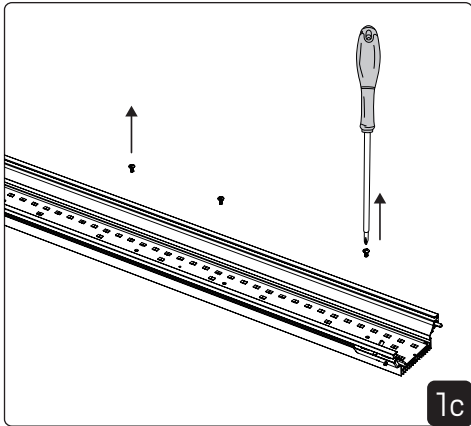
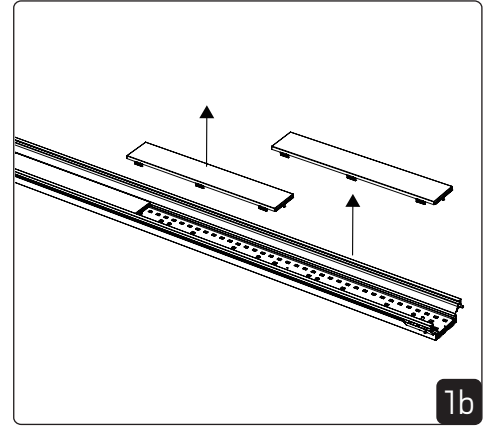
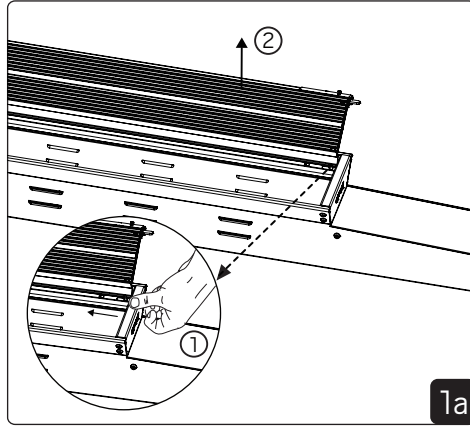
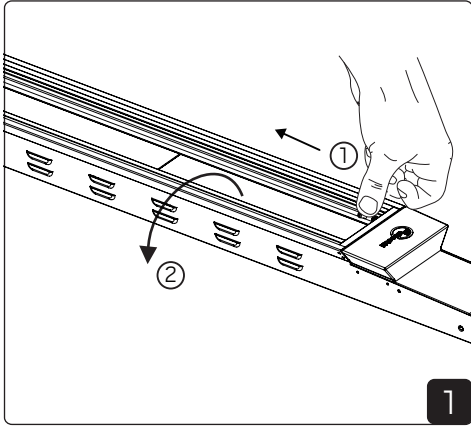
The detection area for movement sensor can be roughly divided into two parts:

- Slow movement (person moving < 1.0'/s or 0.3m/s)
- Quick movement (person moving < 1.3'/s or 0.4m/s)

Coverage Top View



Disassembly Instructions



Recycling

