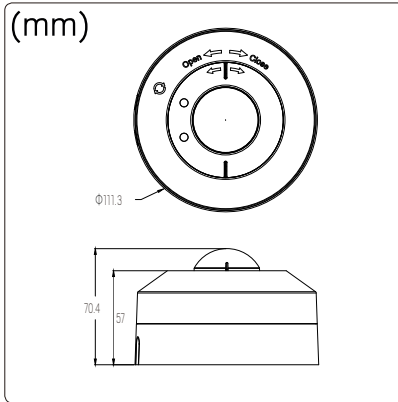
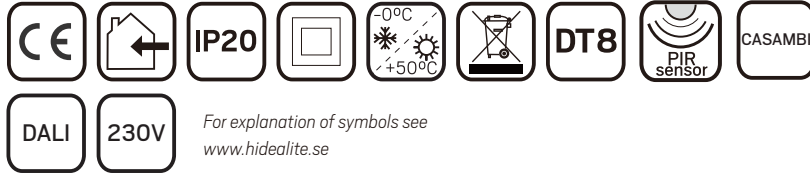


Sensor Casambi PIR 6-11m utp

hidealite



E-nr	Snro	El.nr	GTIN	Name
13 021 07	26 061 09	14 037 13	7392971152912	Sensor Casambi PIR 6-11m utp



Product Description

The ceiling mounted sensor combines presence sensing, DALI dimming and Casambi radio technology. The sensor can work with DALI LED drivers or luminaires, the luminaires just need to be connected to mains power. The result is increased occupant comfort and significant energy savings that meet the most demanding building energy codes. The sensor is suitable for low bay applications which need sensor based automation.

Casambi Technology Explained

The Casambi technology provides a mesh network where all the intelligence of the system is replicated in every node and, in such a way, creates a system with no single point of failure. In this kind of fully distributed architecture, any unit can go offline and catch up from others when they return back online.

Note!

Different materials affect Casambi Mesh signals in various ways:

- **Metal:** Blocks or weakens signals significantly.
- **Concrete, Brick:** Reduce signal range.
- **Wood, Glass, Plastic:** Minimal impact.

Proper placement is vital for strong signals, avoiding obstructions like metal and dense walls to ensure reliable connectivity. Care to check signal levels.

CASAMBI



To be used through APP available on Apple Store and Play Store for iOS and Android.

SAFETY INSTRUCTIONS

- en** Read these instructions carefully before commencing installation and retain for future reference. All connections to the driver must only be made by a qualified electrician or a person with the necessary expertise in electrical installation in accordance with the relevant rules and standards. Make sure that the power is off before installation or maintenance.
- sv** Läs dessa instruktioner före installationen påbörjas och lämna den vidare till brukaren av anläggningen. All anslutning till drivdonet får endast utföras av behörig elektriker eller person med nödvändig kunskap om elektrisk installation i enlighet med gällande regler och standarder till att spänningen är frånslagen före installation eller underhåll.
- fi** Lue nämä ohjeet ennen asentamista ja luovuta ohjeet valaisimen seuraavalle käyttäjälle. Kytkenät ohjaimen saa tehdä ainoastaan pätevä sähköasentaja tai sähköasennukset hallitseva henkilö voimassa olevien määräysten ja standardien mukaisesti. Varmista, että jännite on kytketty päältä ennen asennusta ja huoltoa.
- no** Les disse instruksjonene før du starter installeringen, og gi den deretter videre til anleggets bruker. All tilkobling til omformerer skal utføres av godkjent elektriker eller person med nødvendig kunnskap om elektrisk installasjon i henhold til gjeldende forskrifter og standard. Sørg for at strømmen er koblet fra før installering og ved vedlikehold.
- da** Læs disse anvisninger før du starter installationen og aflever vejledningen til anlæggets bruger. Alle tilslutninger på konverteren skal udføres af en autoriseret elinstallatør i overensstemmelse med gældende regler og standarder. Afbryd spænding før installation og vedligeholdelse.
- de** Lesen Sie diese Anweisungen sorgfältig, bevor Sie mit der Installation beginnen, und bewahren Sie sie für späteres Nachschlagen auf. Sämtliche Anschlüsse am Treiber dürfen nur von einem qualifizierten Elektriker oder einer Person mit der notwendigen Fachkenntnis im Bereich Elektroinstallationen und in Übereinstimmung mit den geltenden Richtlinien und Normen vorgenommen werden. Stellen Sie vor Installations- oder Wartungsarbeiten sicher, dass keine Spannung mehr anliegt.
- pl** Przed przystąpieniem do instalacji należy się uważnie zapoznać z instrukcją i zachować ją na przyszłość. Wszystkie połączenia prowadzące do sterownika muszą zostać wykonane przez wykwalifikowanego elektryka bądź osobę posiadającą niezbędną wiedzę specjalistyczną w zakresie instalacji elektrycznych zgodnie z obowiązującymi przepisami i normami. Przed instalacją lub konserwacją wyłączyć zasilanie.
- fr** Lisez attentivement ces consignes avant de commencer l'installation. Pensez également à vous y reporter ultérieurement. Tous les raccordements au moteur doivent uniquement être effectués par un électricien qualifié ou par un individu qui dispose de l'expertise requise en matière d'installation électrique, conformément aux normes et aux règles pertinentes. Veillez à couper le courant avant l'installation et toute opération de maintenance.

- DO NOT install with power applied to device.
- DO NOT expose the device to moisture.

- Installera INTE med ström ansluten till enheten.
- Utsätt INTE enheten för fukt.

NOTICE: Ensure you read the following guidelines thoroughly before using.

1. Height and Distance Requirements

Mounting height shall not exceed 11m.
Maintain a distance of over 2m from wireless devices (e.g., routers, switches) to avoid interference.

2. Avoid Heat Sources

Place the fixture away from air conditioners, refrigerators, stoves, and areas with strong airflow or heat.

3. Optimal Temperature

The sensor performs best below 25°C. Sensitivity decreases in hotter environments, especially near body temperature.

4. Motion Direction

Side-to-side movement is detected better than movement directly toward the sensor.

5. Clear Line of Sight

Position the sensor where people move most, ensuring nothing like glass, fabric, or objects block its view, as these can obstruct infrared signals.

6. Stable Installation

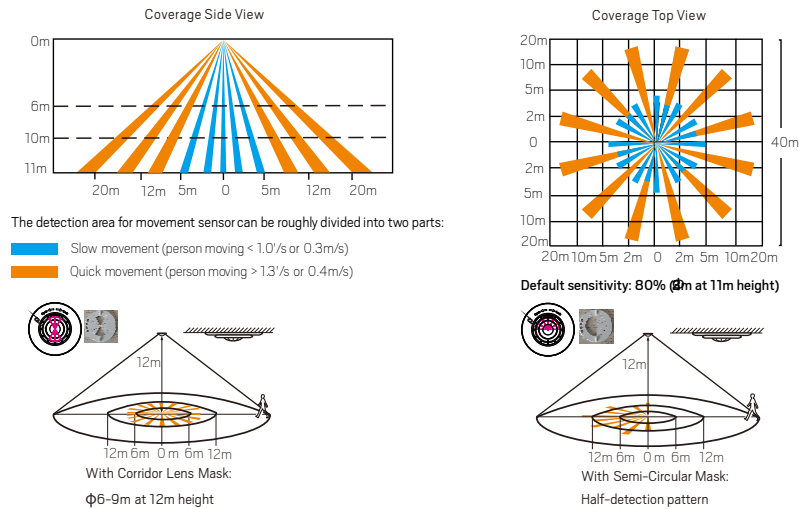
Install the Fixture on a solid, stable surface. Avoid mounting it in a way that causes movement or shaking, which can lead to false alarms.

7. Adjust Sensitivity

Set the detection sensitivity appropriately for the actual usage scenario to prevent false triggers or excessive detection leading to energy waste.

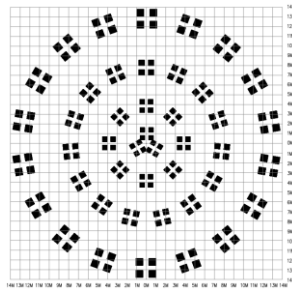
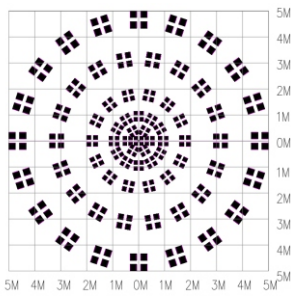
Detection Pattern

Note! Recommended installation height 6-11m.

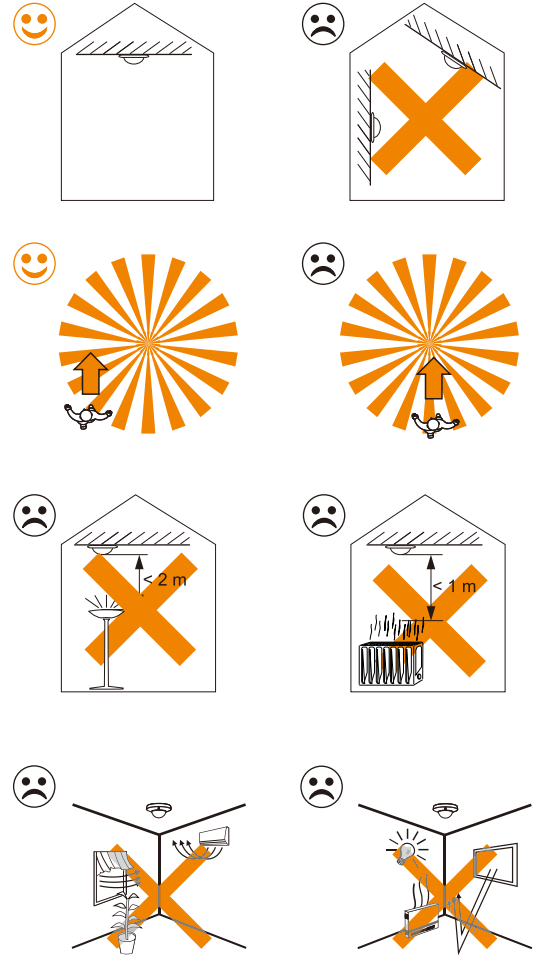


Detection Area

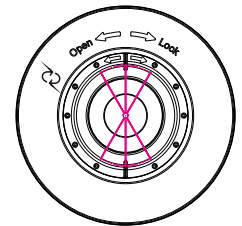
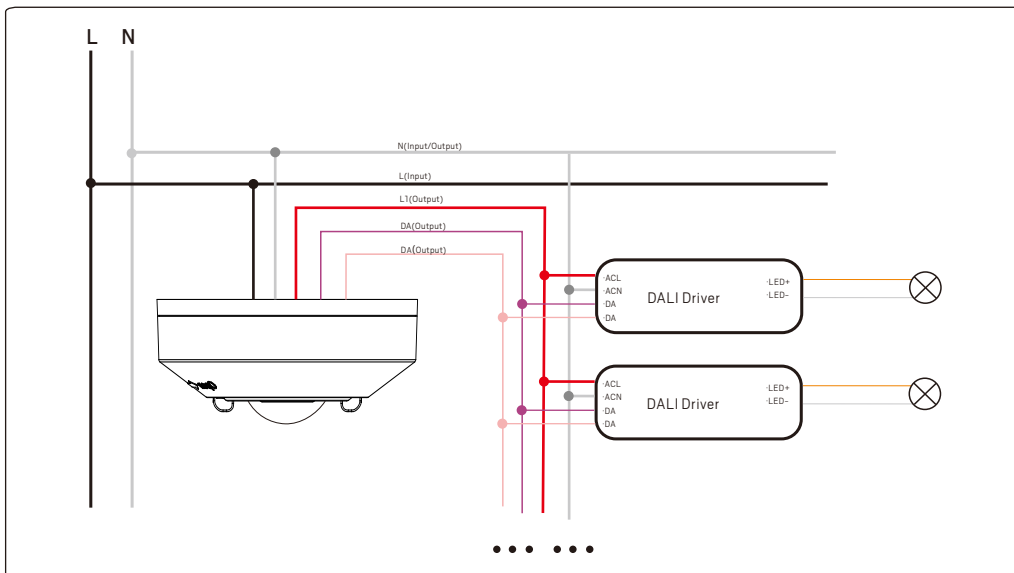
- Note:**
- Following different detection areas are based on different installation heights & patterns.
 - Detection Pattern is a relevant value, the performance should depends on the site conditions (installation height/ temperature/ sunlight/ humidity/ Blind area...etc)



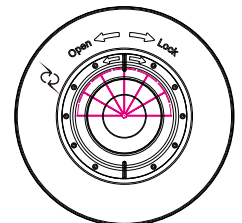
Place/Detection Instruction



Wiring



Aisle/Corridor application:
Split the lens cover into aisle type.



Semi-sphere application:
Split the lens cover into Semi-circle type.