

B.7. Water Connections and Valve Configurations

The cassette unit is provided with 3/4" water piping connections with gaskets.

- ~I: Units are compatible with:
230VAC 2-way and 3-way on/off valves (thermoelectric or electric motor-driven actuation), with OPEN/CLOSE state actuation.
230VAC 2-way and 3-way modulating valves (thermoelectric or electric motor-driven actuation), with modulating state actuation.

- ~W: Valve control requires external wired thermostat. See thermostat manual for details.

- Connections:

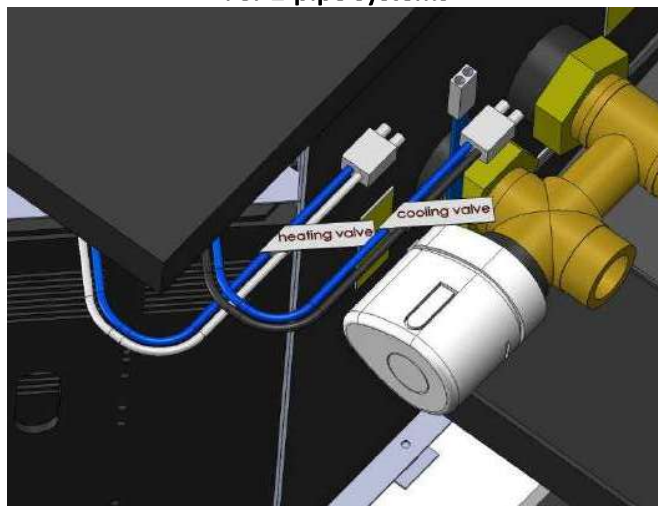
Review below table for information on valve diameter.

Model	External valve information	
	Type	Connector dia. (inch)
All models	2-way & 3-way	3/4"

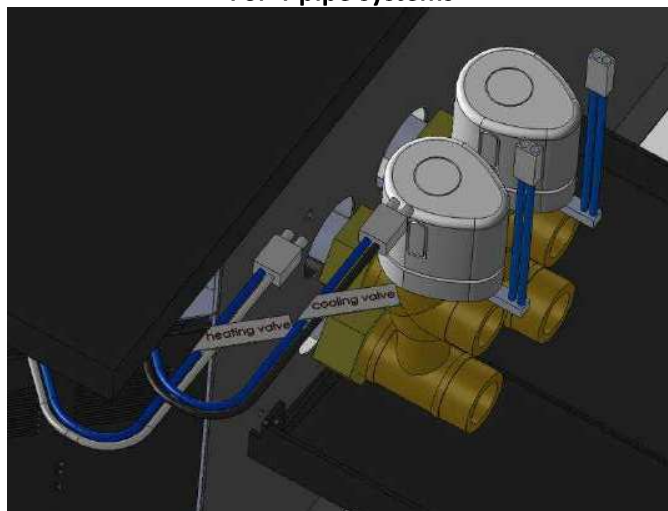
- Valve installations:

See drawings of external valve installation below by model type.

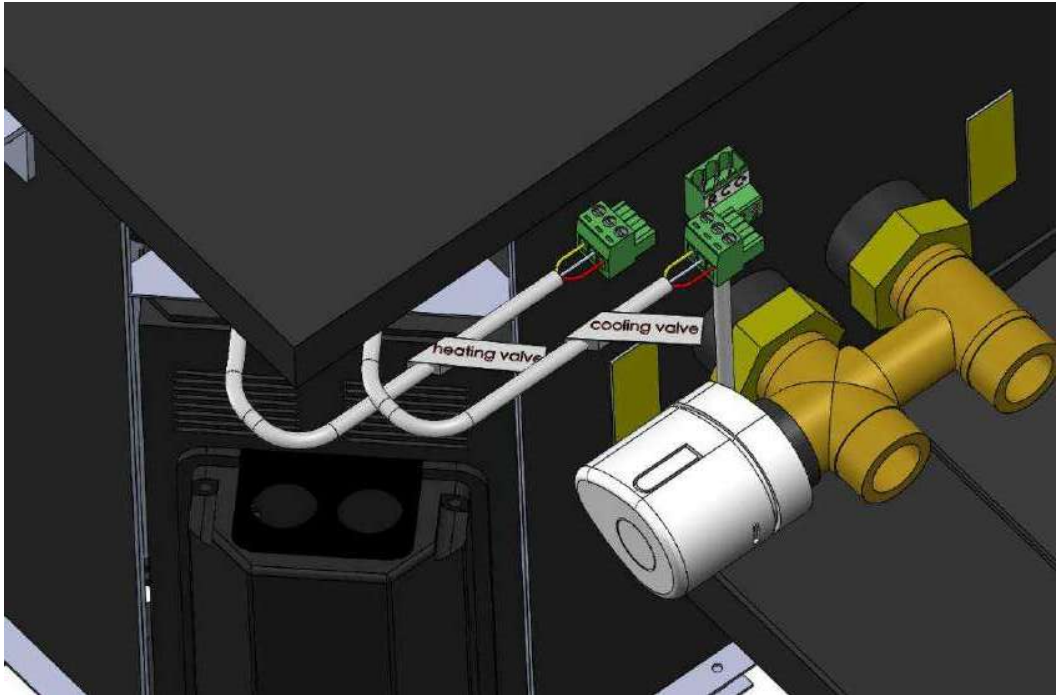
For 2-pipe systems



For 4-pipe systems



For 2-pipe system with modulating valve



For 4-pipe systems with modulating valve

