

C. Maintenance

- Turn off the main power switch before performing any service or maintenance operations. Please see section B.1. "Safety Precautions".
- The air filter is made of acrylic fiber and is washable in water.
- Open the intake grille by releasing the two fasteners to remove filter.
- Check the filter before the operating season and then periodically while in use. clean or replace as necessary.

C.1. For Units Out Of Use for Extended Period

Prior to restarting the unit:

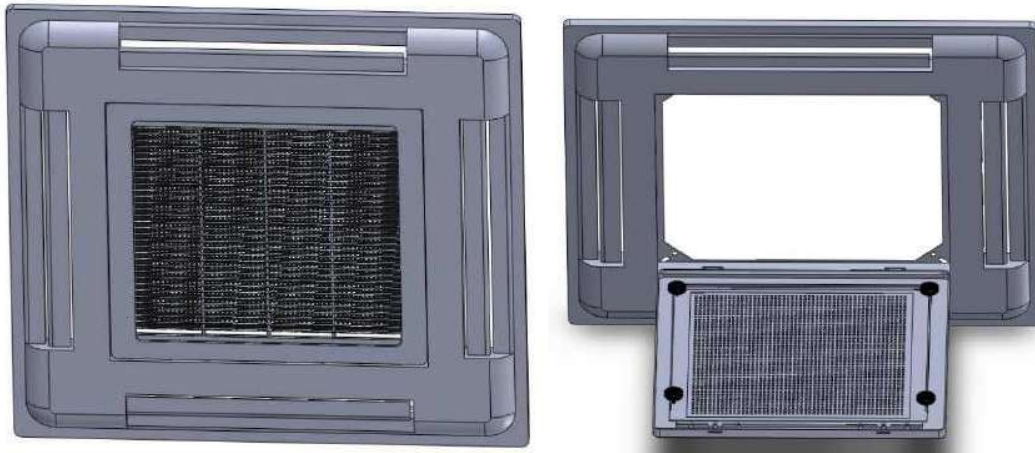
- Clean or replace the air filters.
- Check and remove any obstruction from the external drain pan and the internal drain pan.

C.2. Extra Maintenance

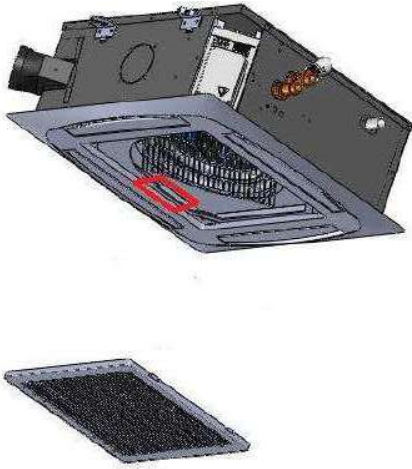
- The electrical panel is easily accessible by removing the cover panel.
- Inspection, servicing, and replacement of internal components such as coils, condensate pump, float switch and drain pan are accessible via cover panel.
- Be aware of water spillage when removing the condensate drain pan
- Release the drain pan fixing screws and remove the condensate drain pan with care.

C.3. Filter Removal

1. Unlock the two fasteners on the front panel.
2. Open the grille downward with care.
3. Pull the filter out along the slot.
4. Clean the filter and reassemble.



C.4. Air Vent and Water Purge Valve



Step 1: Remove grille, access the area indicated by the red line.



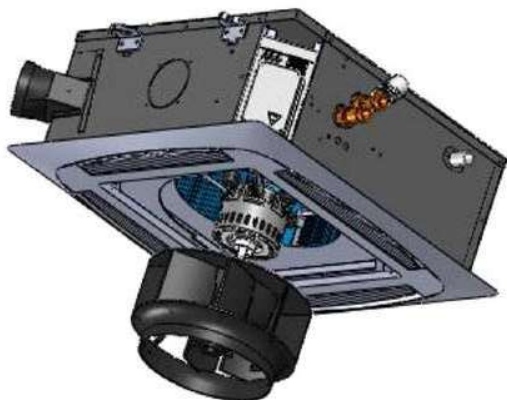
Step 2: Operate the air vent and water purge valve by turning the knobs.

C.5. Fan Speed Customization

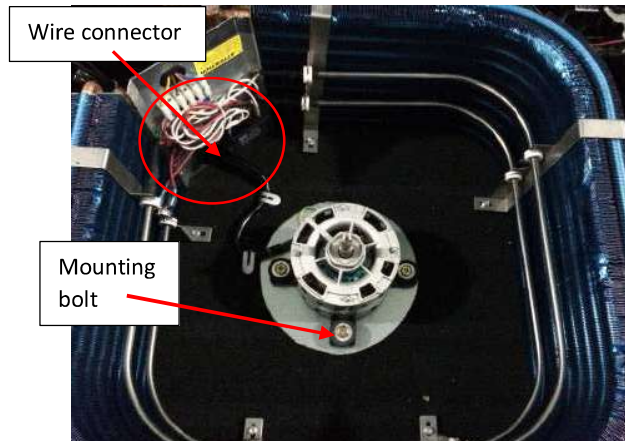
Fan speed can be customized by changing the RPM setting from wired wall pad. Please read F.2. Wired Wall Pad Controller, code S41 for details.

C.6. Motor and Fan Blower Replacement

Refer to Section C.5. for Steps 1, 2 and 3.



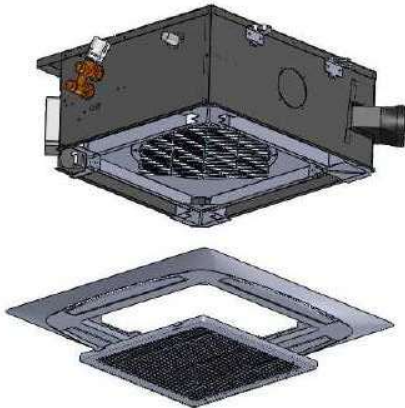
Step 4: Use a spanner to remove the fan blower.



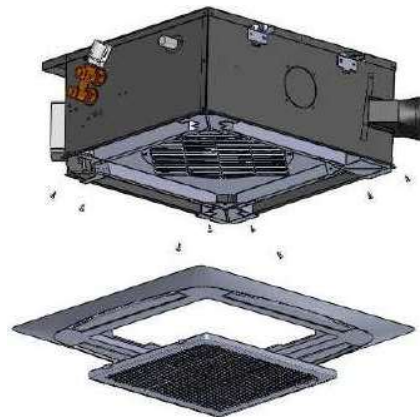
Step 5: Remove motor by undoing the 4 bolts. Disconnect wire connector and replace the motor.

C.7. Condensate Pump Kit Replacement

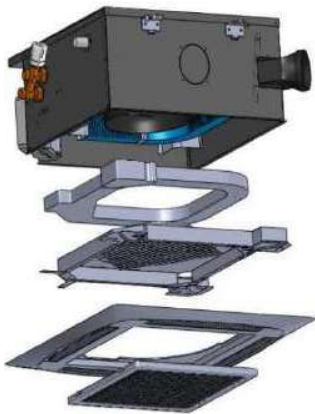
Refer to Section C.5. for Steps 1, 2 and 3.



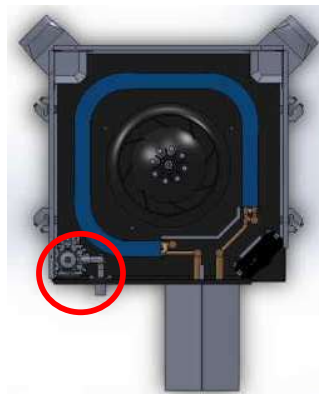
Step 4: Remove front panel and disconnect stepping motor and IR receiver.



Step 5: Unscrewing the 8 screws as shown above.



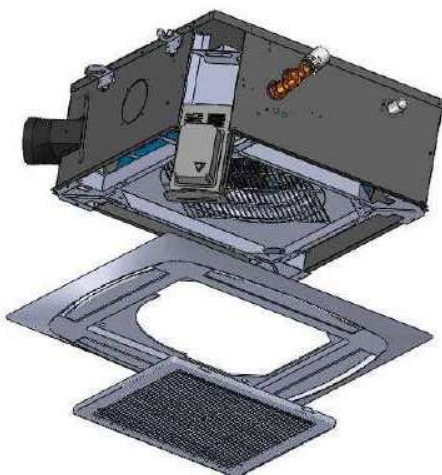
Step 6: Remove the drain pan and internal drain pan.



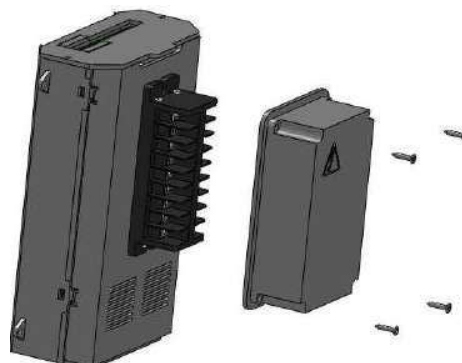
Step 7: Remove the pump kit (including Drain pump and Float switch) and replace it.

C.8. Control Box Replacement

Refer to Section C.5. for Steps 1, 2 and 3.



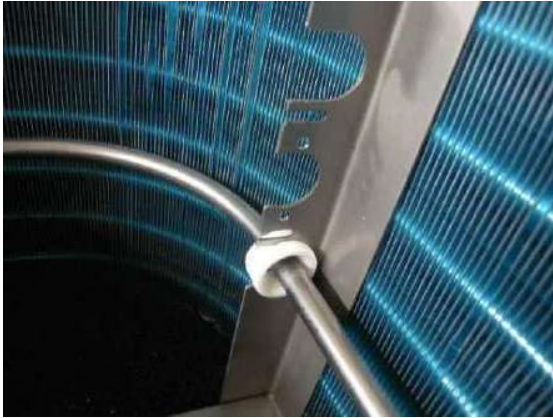
Step 4: Remove 2 screws from the control box and slide it out.



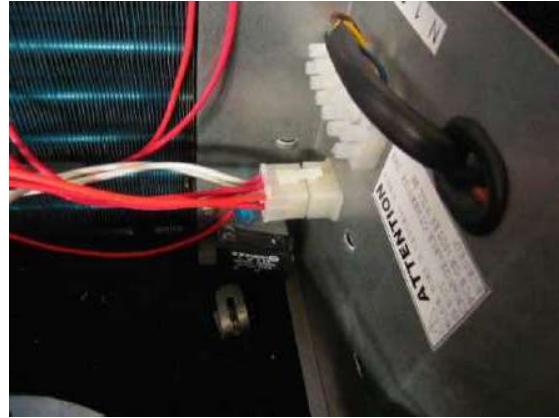
Step 5: Remove the terminal cover by undoing the 4 screws. Disconnect wiring on the terminal. Replace with a new control box and reconnect the wires.

C.9. Electric Heater Installation

Refer to Section C.7. for Steps 1 to 6.



Step 7: Snap the insulated ring of the electric heater to the electric heater mounting.



Step 9: Plug in the connector of electric heater.

REMARKS

If the cassette is installed with an Electric Heater, please use PC to change ECM super low speed.