

# FLANGED TYPE «Y» STRAINER

## TECHNICAL PASSPORT

### FLANGED TYPE «Y» STRAINER

F 4240C

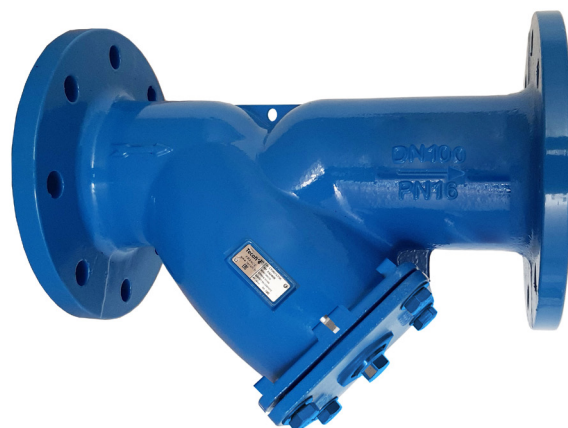
#### APPLICATION

Protection of installations and equipment present on them against impurities and large solid particles.

**Area of use:** heating network, water network.



**Fluids:** steam and other compatible fluids.



#### GENERAL CHARACTERISTICS

**Range:** from DN15 to DN400.

- Ductile iron body and bonnet.
- Screen easily removable by loosening the screws on the bonnet.
- Purge plug on the bonnet allowing the evacuation of impurities without disassembly of the strainer.
- Horizontal or vertical descending mounting.
- Direction of fluid flow is indicated by the arrow on the body.
- Epoxy liquid coated body RAL 5015, thickness 100 µm.

#### STANDARDS

<b>Face to face</b>	Face to face dimension according to EN 558-1 serie 1 and DIN 3202/1 serie F1.
<b>Connection</b>	Flanges according to EN 1092-2 PN10/16 (double drilling PN10 and PN16 from DN200 to DN400)
<b>Tests</b>	Hydraulic tests according to EN12266-1, DIN 3230 and ISO 5208: - Body : WP x 1.5 (bar)

#### PRODUCT APPROVALS



#### Tecofi France

83 rue Marcel Mérieux - 69960 Corbas  
Tél. +33 (0)4 72 79 05 79 - Fax. +33 (0)4 78 90 19 19  
E-mail : sales@tecofi.fr - [www.tecofi.fr](http://www.tecofi.fr)



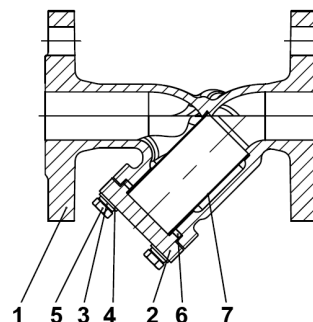
# FLANGED TYPE «Y» STRAINER

## TECHNICAL PASSPORT

**F 4240C**

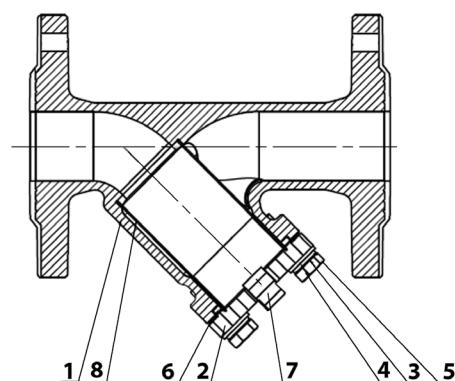
### CONSTRUCTION DN15-DN32

Rep.	Description	Material	Equivalences
1	Body	Ductile iron EN-GJS-500-7	DIN : GGG50 ASTM : A536 65-70-50-05 BS : 1563 EN-JS1050  DIN : X5CrNi 18 10 ASTM : A 182 AISI 304 BS : 1449-2 304 S15
2	Bonnet	Ductile iron EN-GJS-500-7	
3	Spring washer	Stainless steel 304	
4	Flat washer	Stainless steel 304	
5	Bolt	A2 / Stainless steel 304	
6	Graphite washer	Stainless steel 304/Graphite	
7	Screen	Stainless steel 304	



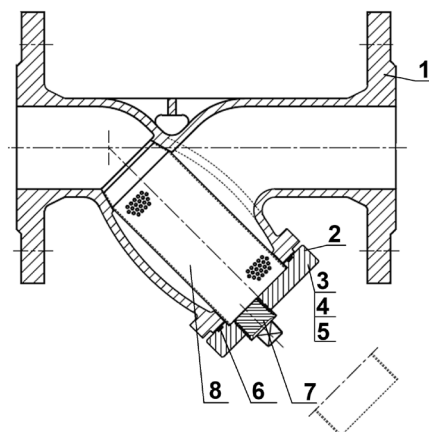
### CONSTRUCTION DN40

Pos.	Description	Material	Equivalences
1	Body	Ductile iron EN-GJS-400-15	DIN : GGG40 ASTM : A536 65-45-12 BS : EN-JS1030
2	Bonnet	Ductile iron EN-GJS-400-15	
3	Spring washer	Galvanized carbon steel	
4	Flat washer	Galvanized carbon steel	DIN : X5CrNi 18 10 ASTM : A 182 AISI 304 BS : 1449-2 304 S15
5	Bolt	Galvanized carbon steel	
6	Graphite washer	Stainless steel 304/Graphite	
7	Plug	Stainless steel 304	
8	Screen	Stainless steel 304	



### CONSTRUCTION DN50-DN80

Pos.	Description	Material	Equivalences
1	Body	Ductile iron EN-GJS-400-15	DIN : GGG40 ASTM : A536 65-45-12 BS : EN-JS1030
2	Bonnet	Ductile iron EN-GJS-400-15	
3	Bolt	Galvanized carbon steel	
4	Spring washer	Galvanized carbon steel	DIN : X5CrNi 18 10 ASTM : A 182 AISI 304 BS : 1449-2 304 S15
5	Flat washer	Galvanized carbon steel	
6	Graphite washer	Stainless steel 304/Graphite	
7	Plug	Stainless steel 304	
8	Screen	Stainless steel 304	



**Tecofi France**

83 rue Marcel Mérioux - 69960 Corbas  
 Tél. +33 (0)4 72 79 05 79 - Fax. +33 (0)4 78 90 19 19  
 E-mail : sales@tecofi.fr - [www.tecofi.fr](http://www.tecofi.fr)



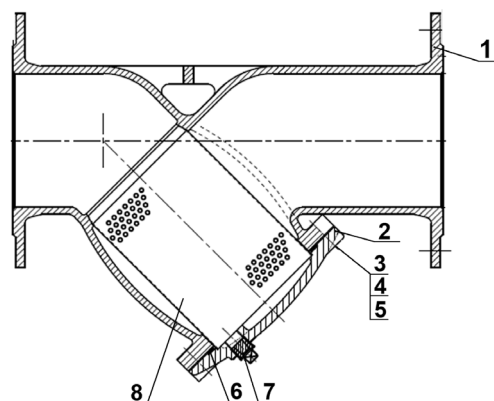
## FLANGED TYPE «Y» STRAINER

### TECHNICAL PASSPORT

F 4240C

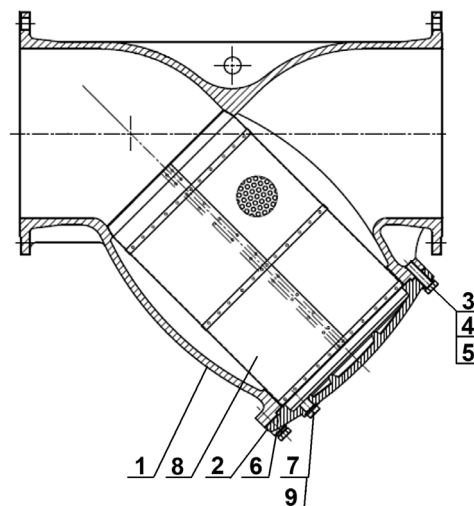
#### CONSTRUCTION DN100-DN300

Pos.	Description	Material	Equivalences
1	Body	Ductile iron EN-GJS-400-15	DIN : GGG40 ASTM : A536 65-45-12 BS : EN-JS1030
2	Bonnet	Ductile iron EN-GJS-400-15	
3	Bolt	Galvanized carbon steel	
4	Spring washer	Galvanized carbon steel	
5	Flat washer	Galvanized carbon steel	
6	Graphite washer	Stainless steel 304/Graphite	
7	Plug	Stainless steel 304	DIN : X5CrNi 18 10 ASTM : A 182 AISI 304 BS : 1449-2 304 S15
8	Screen	Stainless steel 304	



#### CONSTRUCTION DN350-DN400

Pos.	Description	Material	Equivalences
1	Body	Ductile iron EN-GJS-400-15	DIN : GGG40 ASTM : A536 65-45-12 BS : EN-JS1030
2	Bonnet	Ductile iron EN-GJS-400-15	
3	Spring washer	65 Mn	
4	Flat washer	200 HV	
5	Bolt	Class 8.8	
6	Graphite washer	Stainless steel 304/Graphite	
7	Plug	Stainless steel 304	DIN : X5CrNi 18 10 ASTM : A 182 AISI 304 BS : 1449-2 304 S15
8	Screen	Stainless steel 304	
9	Gasket	45# + EPDM	



The photographs and technical art works are not contractual. The specifications of the presented products are open to modifications without previous advice.

**Tecofi France**

83 rue Marcel Mérieux - 69960 Corbas  
Tél. +33 (0)4 72 79 05 79 - Fax. +33 (0)4 78 90 19 19  
E-mail : sales@tecofi.fr - [www.tecofi.fr](http://www.tecofi.fr)

ISO 9001  
ISO 14001  
BUREAU VERITAS  
Certification

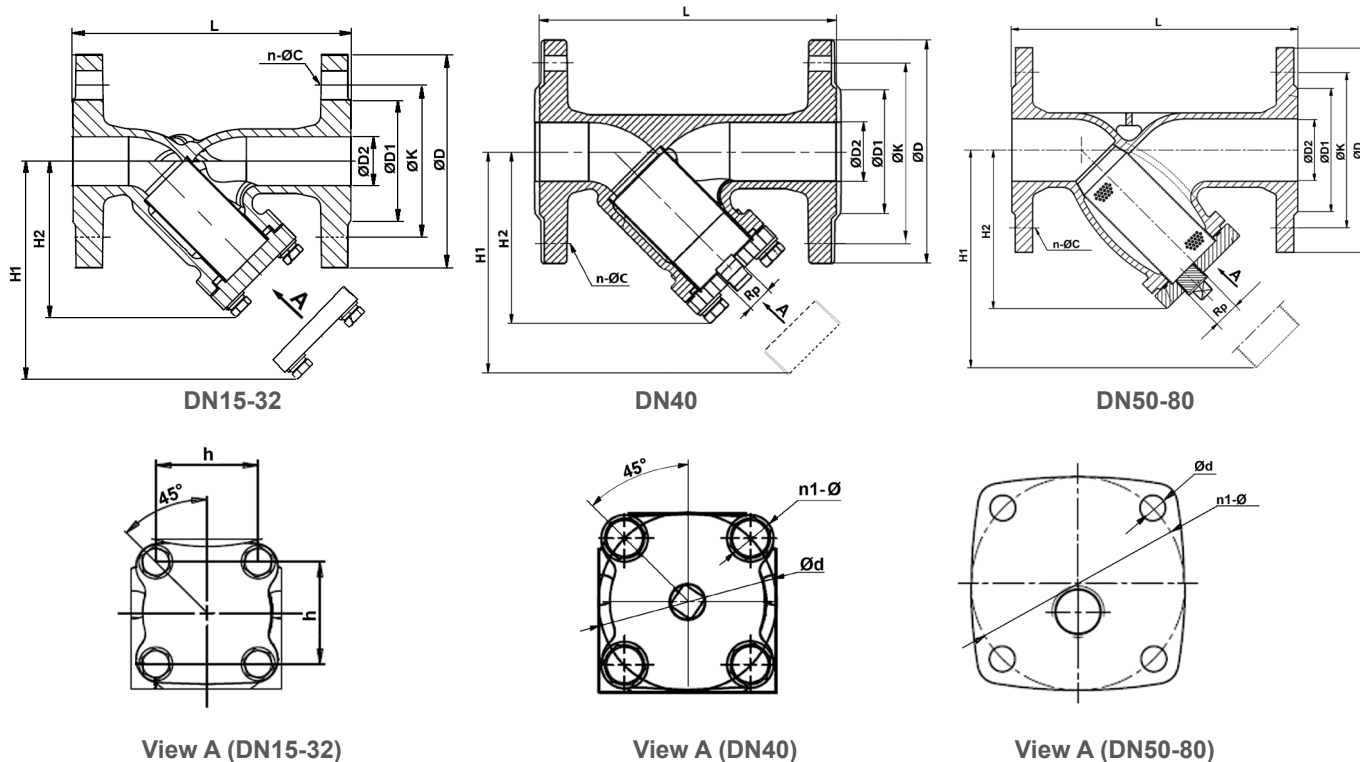


## FLANGED TYPE «Y» STRAINER

### TECHNICAL PASSPORT

F 4240C

#### DIMENSIONS



DN		L	Maille	ØD	ØD1	ØD2	n1-Ø	Ød	H1	H2	h	Rp	PN10		PN16		Weight (kg)
mm	inch												ØK	n-ØC	ØK	n-ØC	
15	1/2"	130	1.5	95	45	15	-	-	113	68	30	-	65	4-Ø14	65	4-Ø14	2.9
20	3/4"	150	1.5	105	58	20	-	-	118	68	30	-	75	4-Ø14	75	4-Ø14	3.0
25	1"	160	1.5	115	68	25	-	-	148	83	38	-	85	4-Ø14	85	4-Ø14	3.2
32	2"1/4	180	1.5	140	78	32	-	-	178	102	48	-	100	4-Ø19	100	4-Ø19	5.0
40	2"1/2	200	1.5	150	88	40	4-Ø12	76	203	116	-	3/8"	110	4-Ø19	110	4-Ø19	6.0
50	2"	230	1.5	165	102	50	4-Ø10	83	186	127	-	3/8"	125	4-Ø19	125	4-Ø19	6.5
65	2"1/2	290	1.5	185	122	65	4-Ø10	100	205	137	-	1/2"	145	4-Ø19	145	4-Ø19	8.0
80	3"	310	1.5	200	138	80	4-Ø12	116	238	152	-	1/2"	160	8-Ø19	160	8-Ø19	9.5

**Tecofi France**

83 rue Marcel Mérioux - 69960 Corbas  
 Tél. +33 (0)4 72 79 05 79 - Fax. +33 (0)4 78 90 19 19  
 E-mail : sales@tecofi.fr - [www.tecofi.fr](http://www.tecofi.fr)

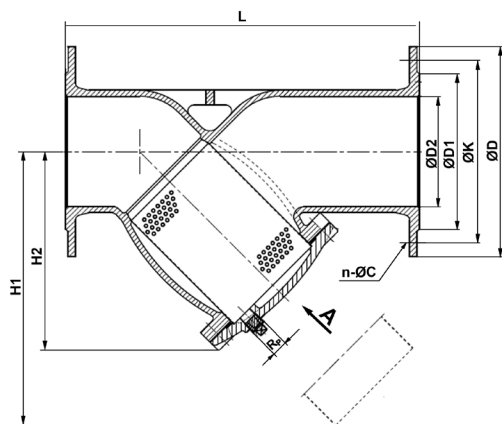


## FLANGED TYPE «Y» STRAINER

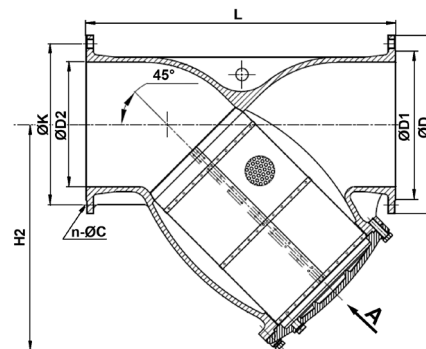
### TECHNICAL PASSPORT

F 4240C

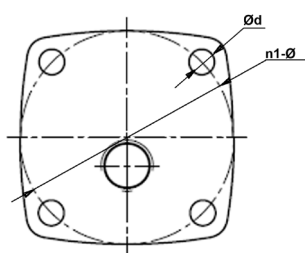
#### DIMENSIONS



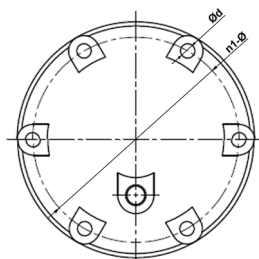
DN100-300



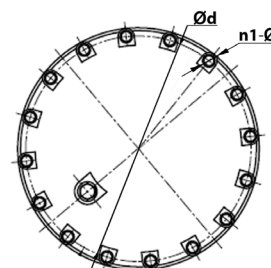
DN350-400



View A (DN100)



View A (DN125-300)



View A (DN350-400)

DN		L	Maille	ØD	ØD1	ØD2	n1-Ø	Ød	H1	H2	Rp	PN10		PN16		Weight (kg)
mm	inch											ØK	n-ØC	ØK	n-ØC	
100	1/2"	350	1.5	220	158	100	4-Ø12	140	318	205	1/2"	180	8-Ø19	180	8-Ø19	13
125	3/4"	400	1.5	250	188	125	4-Ø14	171	358	244	1/2"	210	8-Ø19	210	8-Ø19	32
150	1"	480	1.5	285	212	150	6-Ø14	200	380	269	1/2"	240	8-Ø23	240	8-Ø23	33
200	2"1/4	600	2.5	340	268	200	8-Ø14	250	508	341	1/2"	295	8-Ø23	295	12-Ø23	54
250	2"1/2	730	2.5	405	320	250	8-Ø19	314	700	455	1/2"	350	12-Ø23	355	12-Ø28	82
300	2"	850	2.5	460	370	300	12-Ø19	367	730	476	1/2"	400	12-Ø23	410	12-Ø28	160
350	2"1/2	980	2.5	520	430	350	16-Ø19	470	1344	725	3/4"	460	16-Ø23	470	16-Ø28	260
400	3"	1100	3.5	580	482	400	16-Ø19	525	1522	820	3/4"	515	16-Ø28	525	16-Ø31	410

**Tecofi France**

83 rue Marcel Mérieux - 69960 Corbas  
 Tél. +33 (0)4 72 79 05 79 - Fax. +33 (0)4 78 90 19 19  
 E-mail : sales@tecofi.fr - [www.tecofi.fr](http://www.tecofi.fr)

ISO 9001  
 ISO 14001  
 BUREAU VERITAS  
 Certification



# FLANGED TYPE «Y» STRAINER

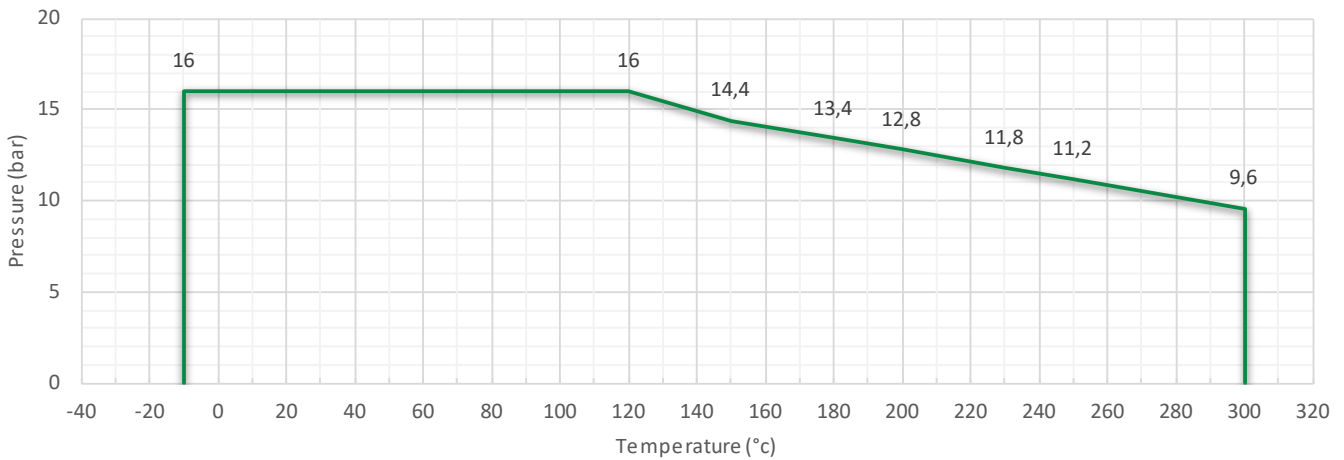
## TECHNICAL PASSPORT

**F 4240C**

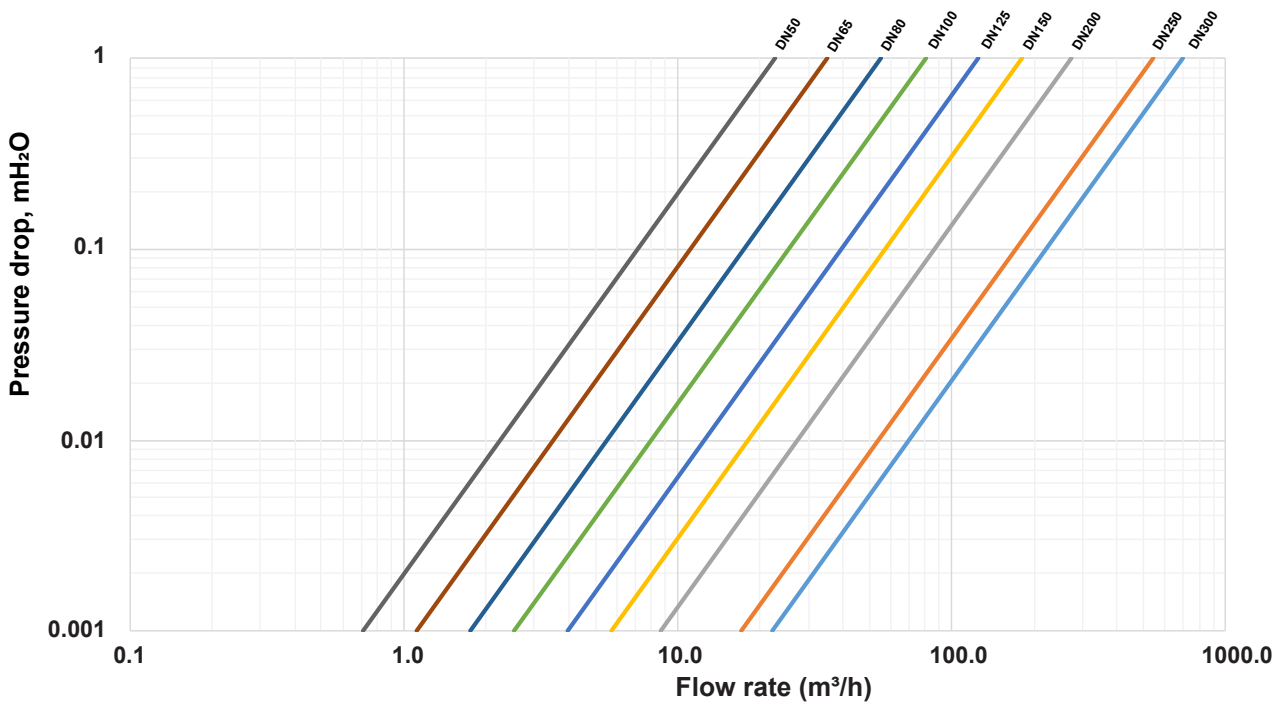
### WORKING CONDITIONS

Maximum working pressure : 16 bar

Maximum working temperature : -10°C / +300°C



### HEAD LOSS CHART



The photographs and technical art works are not contractual. The specifications of the presented products are open to modifications without previous advice.

### Tecofi France

83 rue Marcel Mérieux - 69960 Corbas  
Tél. +33 (0)4 72 79 05 79 - Fax. +33 (0)4 78 90 19 19  
E-mail : sales@tecofi.fr - [www.tecofi.fr](http://www.tecofi.fr)

