

BF100 Series

Outdoor Air-cooling Battery Cabinet

BF100 is an outdoor DC battery cabinet with air-cooling system, flexible capacity of 71/86/100kWh, which can be equipped with hybrid inverter to realize AC output.

- **Ultimate security**

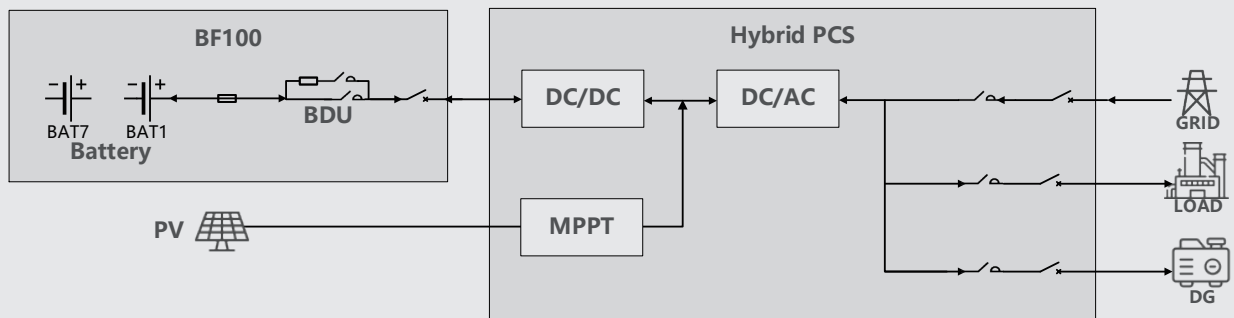
Preventative fire strategy with three-level detection and TMG which ensure active firefighting remains effective in the event of a power outage.

- **Optional Capacity**

Single cabinet capacity of 71/86/100kWh optional.

- **Smart O&M**

Self-developed EMS energy management system and Cloud platform, support remote monitoring and O&M.



Technical Parameters

| Model | BF100-C70 | BF100-C80 | BF100-C100 |
|-----------------------|----------------------------------|----------------|----------------|
| Battery | | | |
| Battery Type | LFP (LiFePO4) | | |
| Battery Capacity | 280Ah | | |
| Rated Current | 140A | | |
| Max. Current | 160A | | |
| PACK Configuration | 1P16S | | |
| PACK Quantity | 5 PACK/Cluster | 6 PACK/Cluster | 7 PACK/Cluster |
| Voltage Range | 232~288Vdc | 278.4~345.6Vdc | 324.8~403.2Vdc |
| Nominal Capacity | 71kWh | 86kWh | 100kWh |
| System | | | |
| Weight | | 1200±100kg | 1300±100kg |
| Dimension (W*D*H) | 725*1224*2258mm | | |
| Max. Efficiency | ≥94% (TBD) | | |
| Air Conditioner Power | 2kW (Cooling), 1kW (Heating) | | |
| Temperature | -20~50 °C (Derating above 45 °C) | | |
| Humidity | 0~95%RH (Non-condensing) | | |
| Ingress Protection | IP55 | | |
| Anti-corrosion Grade | C3/C5 | | |
| Cooling Method | Air-cooling | | |
| Noise | ≤65dB (TBD) | | |
| Elevation | 3000m (Derating above 2000m) | | |
| Fire Protection | Aerosol/Perfluorohexanone | | |
| Communication | Ethernet/4G/RS485 | | |
| Certification | CE | | |