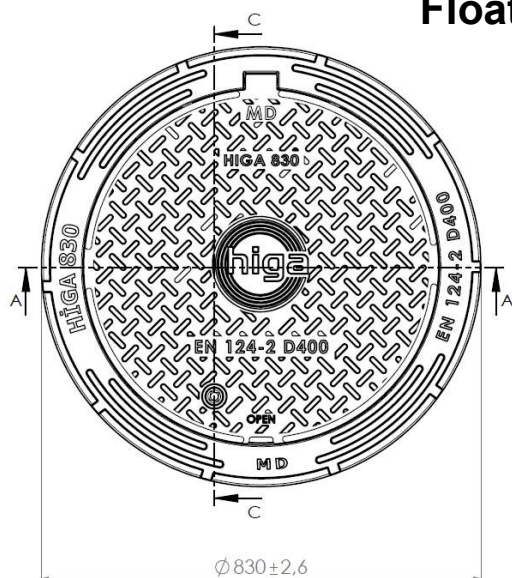
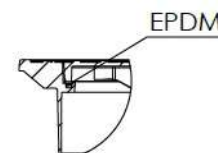


Plaukiojančio tipo dangtis HIGA 830 Floating type manhole cover HIGA 830

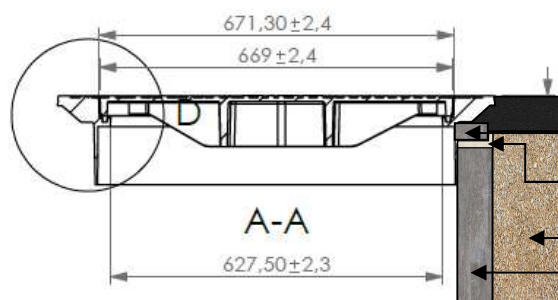


Plaukiojančio tipo dangtis su užraktu. Apkrovos klasė **D400/40 t**, mechaninis atidarymas/uždarymas, EPDM gumos garso izoliacinė tarpinė.

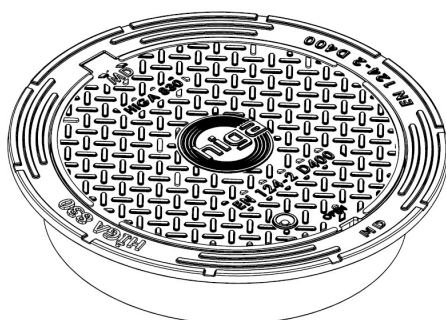
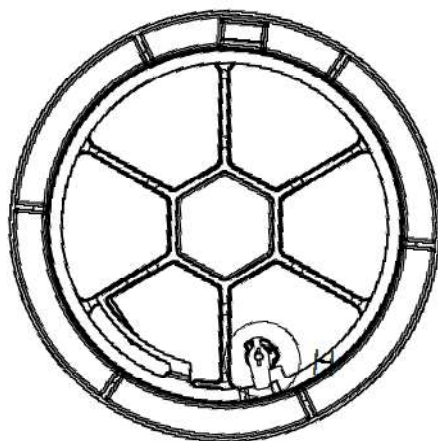
Floating type manhole cover load class **D400/40 t**, mechanical opening/closing, EPDM rubber sound insulation gasket.



Rekomenduojamas montavimo būdas/
Recommended installation method



- ← Asfalto danga / Bitumen layer
- ← Atraminis žiedas / Supporting ring
- ← Montažinis mišinys / Instalation mixture
- ← Supresuotas žvyras, smėlis / compacted gravel, sand
- ← Betoninis žiedas DN700/ Concrete ring DN700



Kriterijus	Reikšmė/ Value
Svoris/ weight	75.6 ± 3 kg
Dangčio ir rėmo medžiaga/ Cover and rim material	EN- GSJ-500-7/ GGG 50
Tarpinės medžiaga/ Gasket material	EPDM guma/ EPDM rubber
Uždarymo mechanizmas/ Closing mechanism	Mecahninis uždarymas su raktu/ Mechanical closing with a key

Išmatavimai/Dimensions	Reikšmė/ Value, mm
Liuko anga/ opening	627
Dangčio rėmo diametras/ rim diameter	830
Dangčio aukštis/ manhole cover height	170

Gaminys atitinka ISO 9001:2015 ir EN 124-2 standartus
Product complies to ISO **9001:2015** and **EN 124-2** standards

Už tinkamą šulinio dangčio apkrovos klasės projekte parinkimą bei montavimo būdą atsakingas projektuotojas arba pirkėjas. Siekiant užtikrinti ir maksimaliai pratęsti dangčio rėmo ir dangčio eksploatacijos laikotarpį, įrenginys privalo būti montuojamas laikantis tokio tipo įrenginiams nustatytų montavimo reikalavimų.

The selection of the appropriate load class for the well in the project and the specification of the installation details are the responsibility of the designer or buyer. In order to ensure and maximize the service life of the cover frame and cover, the device must be installed following the installation requirements specified for this type of equipment.

1. WARRANTIES AND OBLIGATIONS

1.1 The Manufacturer guarantees that the product complies with the requirements specified in standards EN 124-1 and EN 124-2 for D400 load class covers and provides a 5-year warranty for usage and warranty service from the date of product manufacturing, along with a 5-year warranty for sound insulation inserts, provided that the covers are used properly according to the specified usage, loading, unloading, and installation requirements.

1.2 Covers are equipped with mechanical locking and fixing mechanisms to prevent accidental opening and thefts.

1.3 Covers come with EPDM inserts to increase the longevity of the frame structure and reduce cover vibration and noise.

1.4 Covers are made of ductile iron according to EN-GJ5-500-7 and fully maintain their properties in the range from -50°C to +50°C.

1.5 The selection of the appropriate load class for the manhole cover in the project and the installation method are the responsibility of the designer or buyer. To ensure and maximise the service life of the cover frame and cover, the device must be installed following the installation requirements set for this type of equipment and this instruction.

1.6 The Manufacturer assumes no responsibility and is not liable for any consequences related to non-compliance or violations of this instruction.

1.7 The requirements are presented in the instructions below.

2. USER INSTRUCTIONS

2.1 When installing the products, it is mandatory to comply to all occupational health and safety regulations, as well as other applicable laws and rules.

2.2 Use the products only in the locations designated for well installation and assembly according to the project.

2.3 It is prohibited to install the products on improperly prepared foundations, in locations not suitable for them, or on structures not designed for them.

2.4 During the installation of the product, it is forbidden to throw the product or its individual components from a height or otherwise damage them.

2.5 The cover can only be opened and closed with the designated tool. It is forbidden to use any tool not intended for unlocking the covers (such as a crowbar, hammer, and other tools not suitable for cover unlocking).

2.6 Opening the cover in ways other than those specified by the manufacturer may result in damage to the cover's construction and opening/closing mechanism, for which the manufacturer is not responsible.

2.7 To ensure the functionality and durability of the product, it is necessary during installation and when opening/closing the cover to ensure that all surfaces touching between the cover and the frame are clean, without foreign objects.

2.8 When operating the product in winter, before inserting the cover into the frame, it is recommended to lightly lubricate the parts that come into contact with each other to reduce the risk of freezing and sticking. If the

cover does not open in winter due to freezing, hot water can be used by pouring it around the edges of the frame construction.

2.9 It is prohibited to install the product in a location with a higher load, regardless of the project. The use of this class of cover is allowed only in environments where the load class does not exceed D400. The load class must be specified in the project of the installation site or in other installation requirements of the device.

2.10 It is forbidden to drive heavy-duty vehicles over temporarily installed covers before completing the soil and gravel compaction work around the well ring.

2.11 Modifying the product's construction and closing mechanism is prohibited.

3. REQUIREMENTS FOR TRANSPORTATION

3.1 Packing, loading/unloading, and transporting products must be carried out in compliance with occupational health and safety regulations, as well as other laws and regulations related to loading/unloading and transportation.

3.2 Orderly packaging on pallets ensures safe transportation conditions, as well as safe loading and unloading operations.

3.3 Covers must be assembled and loaded onto pallets in optimal quantities and arranged in a way that ensures the stability of the cover packaging structure. To increase construction stability and for final securing during transportation, the structure is tightened with strapping.

3.4 When loading covers onto/from the transport vehicle, the products must be securely packed on pallets with stable construction and fastened with strapping. Individual cover parts should not protrude separately from the structure.

3.5 During the process of product loading/unloading, it is forbidden to damage packaging material, throw it from a height or otherwise damage the product.

3.6 During transportation, pallets with products in the transport vehicle must be secured to ensure the stability of the transport vehicle and packaging structure throughout the journey. It is recommended to use additional fastening straps, not to place other cargo on the product packaging structure, and not to load product pallets in multiple layers.

3.7 It is prohibited to damage the packaging structure without delivering it to its final destination.

4. GENERAL INSTRUCTIONS FOR INSTALLATION OF FLOATING-TYPE MANHOLE (COVER AND BODY RING)

4.1 Before installation, it is necessary to get acquainted with Section 2 of this document: "User Instructions" and Section 3: "Requirements for transportation".

4.2 Assemble the cover frame precisely at the designated installation location of the project on a properly prepared reinforced concrete DN700 ring.

4.3 Install a supporting ring on the base and the well ring. To ensure that the supporting ring stands straight and at the required height, ceramic tiles, brick quarters, and similar inert materials can be used for support.

4.4 After placing the supporting ring, insert an inflatable cushion (such as an R14 tire camera) inside the gap between the supporting ring and the well ring from the inside. Inflate the camera with air, and as it expands, it seals the gap to prevent the pouring of the mounting mixture later.

4.5 Pour a layer of installation mixture around the rings until all cavities are filled. The lower edge of the supporting ring must immerse in the mixture by at least 20 mm. The installation mixture should form a reliable, integral monolithic structure without air voids and gaps.

4.6 Once the mixture has solidified, cover the surface around the well opening with a bituminous layer, up to the thickness specified in the relevant requirements.

4.7 Place a metal lining (ring) on the supporting ring.

4.8 Lay the final layer of the cover (asphalt, paving stones) as specified in the project. Hot asphalt is applied manually or mechanized with the help of a road roller or other mechanized methods, and paving stones are laid manually.

4.9 The cavity formed around the inner metal lining is filled with asphalt and compacted using a vibratory plate, specialized equipment for this purpose.

4.10 After the asphalt has solidified, immediately remove the metal lining.

4.11 Place the floating-type body ring with the cover. The body ring and cover must be installed by leveling to zero, meaning aligning the floating-type manhole body and cover with the surface of the asphalt coating.

4.12 Using a vibrating roller or plate, level the surface of the body and cover with the asphalt coating.

4.13 Open the cover and ensure that the body ring and cover are intact, without mechanical construction damage or cracks.

4.14 Place the cover into the body ring and secure it by locking the mechanical opening/closing mechanism by turning it clockwise until fully fixed.

4.15 Ensure that the body ring and cover do not protrude or sink more than 5 mm from the height of the final coating layer .

4.16 After ensuring that the cover is properly installed, unlock it. To reduce the risk of freezing and sticking, apply technical grease to the contact points with the intermediate space and the intermediate; then close and lock the cover (if the cover was removed, insert the cover into the body ring, secure it, and lock it by turning the mechanical opening/closing mechanism clockwise until fully fixed).

4.17 The manufacturer takes no responsibility for the safety of the product and traffic if the installation process does not comply with the requirements specified in this instruction.

4.18 To ensure warranty and maximise the service life of the cover frame and cover, the device must be installed following the installation requirements and project specifications for such devices and these instructions.

5. ADDITIONAL INFORMATION

5.1 In case of any possible discrepancy or potential insurance event, it is necessary to immediately inform the representative of UAB "HIGA."

5.2 Additional technical information is provided upon request.

UAB „HIGA“ kontaktai: IX-ojo Forto g. 37, Kaunas LT-48100 Lietuva.

Tel/faks.: +370 37 365577, mob.: +370 612 55667; +370 600 52557.