



AVK SERVICE CONNECTION VALVE, DI, PN16

03/90-005

PRK couplings for PE pipes, DN20-50

AVK resilient seated service connection valves are designed with built-in safety in every detail. The wedge is vulcanized with AVK's own drinking water approved EPDM rubber compound. It features an outstanding durability due to the ability of the rubber to regain its original shape, the double bonding vulcanization process and the sturdy wedge design. The triple safety stem sealing system, the high strength stem and the thorough corrosion protection safeguard the unmatched reliability.

Product description:

Service connection valve with PRK couplings for PE pipes. For drinking water and neutral liquids to max. 20° C. Note: The maximum working temperature is set according to the ISO9080 lifetime requirements for PE pipes, and is therefore not the max. temperature for the valve.

Standards:

- Designed according to EN 1074 part 1 & 2, Designed according to EN 1171

Test/Approvals:

- Hydraulic test according to EN 1074-1 and 2 / EN 12266
- Seat: 1.1 x PN (in bar), Body: 1.5 x PN (in bar). Operation torque test
- Belgaqua approved
- Approved according to ACS Certificate 18 ACC NY 369
- Approved according to Swedish type approval 1350 certified by KIWA

Features:

- Wedge of brass CW626N vulcanized with EPDM rubber – both brass and rubber certified for use in contact with drinking water– and shaped with guides and a special rubber profile ensuring low closing torques
- Stainless steel stem with rolled threads providing high strength
- Full circle thrust collar provides fixation of the stem and low free running torques
- Stem sealing with an NBR wiper ring, a polyamide bearing with four NBR O-rings and an EPDM rubber manchette
- EPDM bonnet gasket fixed in a recess
- Countersunk and sealed stainless steel bonnet bolts encircled by the bonnet gasket
- Full bore
- Low operating torque
- PRK coupling of acetal plastic
- Fusion bonded epoxy coating in compliance with DIN 3476 part 1 and EN 14901, GSK approved

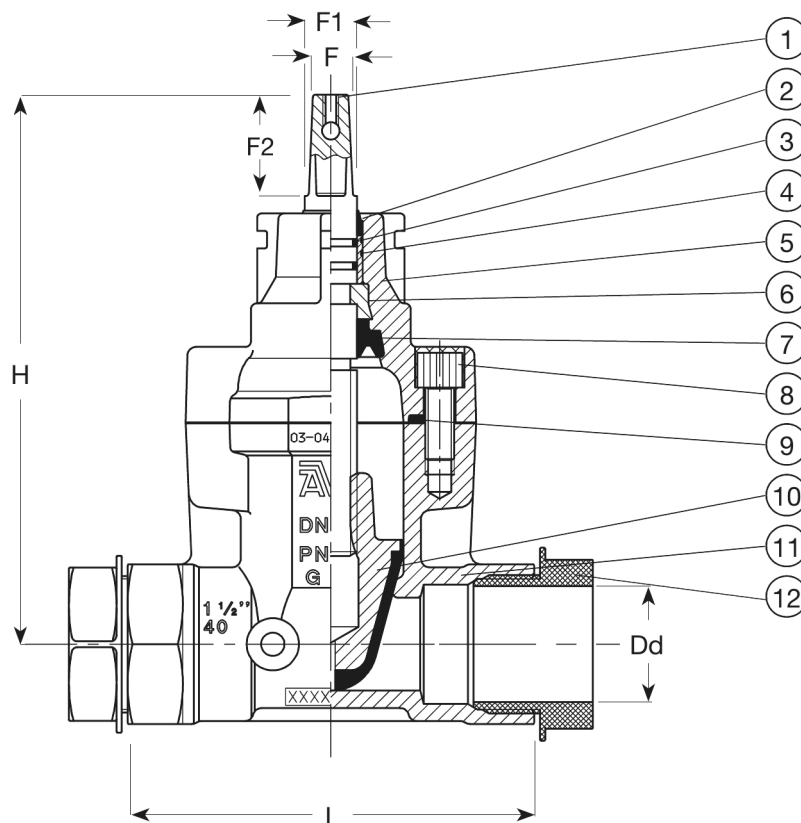
Accessories:

Handwheel, stem cap, extension spindle, street cover and tapping saddle.



Expect... **AVR**

The designs, materials and specifications shown are subject to change without notice. This is due to the continuous development of our product programme.



Component list:

1. Stem	Stainless steel 1.4104 (430F)	7. Manchette	EPDM rubber
2. Wiper ring	NBR rubber	8. Bonnet bolt	Stainless steel A2, sealed with hot melt
3. O-ring	NBR rubber	9. Bonnet gasket	EPDM rubber
4. Bearing	Polyamide	10. Wedge	Brass, DZR CW626N with EPDM
5. Bonnet	Ductile iron GJS-500-7 (GGG-50)	11. Body	Ductile iron GJS-500-7 (GGG-50)
6. Thrust collar	Brass, DZR CW602N	12. PRK coupling	POM

Components may be substituted with equivalent or higher class materials without prior notification.

Reference nos. and dimensions:

AVK ref. no.	DN mm	Dd mm	Product PN Class	L mm	H mm	F mm	F1 mm	F2 mm	Theoretical weight/kg	GWP kg CO2 eq.
03-025-90-0046499	25	25	PN16	133	165	12	15	35	2.7	9.8
03-032-90-0046499	25	32	PN16	133	165	12	15	35	2.5	9.0
03-040-90-0046499	32	40	PN16	140	176	12	15	35	2.8	10.2
03-050-90-00	40	50	PN16	170	203	12	15	35	6.5	23.4
03-063-90-00	50	63	PN16	184	213	12	15	35	6.1	22.0

Comments:

Global Warming Potential (GWP) for each valve is calculated as GWP per kilo valve multiplied by the theoretical weight of the valve. GWP per kilo valve has been calculated for the phases A1-A3 (cradle to gate) as declared in the Environmental Product Declaration (ref. no. EPD HUB, HUB-2398) found under downloads for this valve in our product finder on www.avkvalves.eu. The EPD is in accordance with ISO 14025:2006 and EN 15804:2012+A2:2019/AC:2021 and based on Product Category Rules PCR 2019:14 Construction Products (UN CPC code: 412).

Note: For comparison of GWP values, please be aware that EPDs within the same product category but registered in different EPD programmes, or not compliant with EN 15804, may not be directly comparable. For further information about comparability, please refer to page two of the EPD.