



Water heaters



www.kaukora.fi

DOMESTIC WATER HEATERS JÄSPI

High quality water heaters JÄSPI are more and more often used for safe domestic water heating. Wide range of models, updated and classic design and also operation in the most complicated water consumption schedules allow to choose a required water heater model for each specific case. Tanks are made of exclusively strong and high quality ferritic acid-resistant steel, which was specially designed for water heaters production.

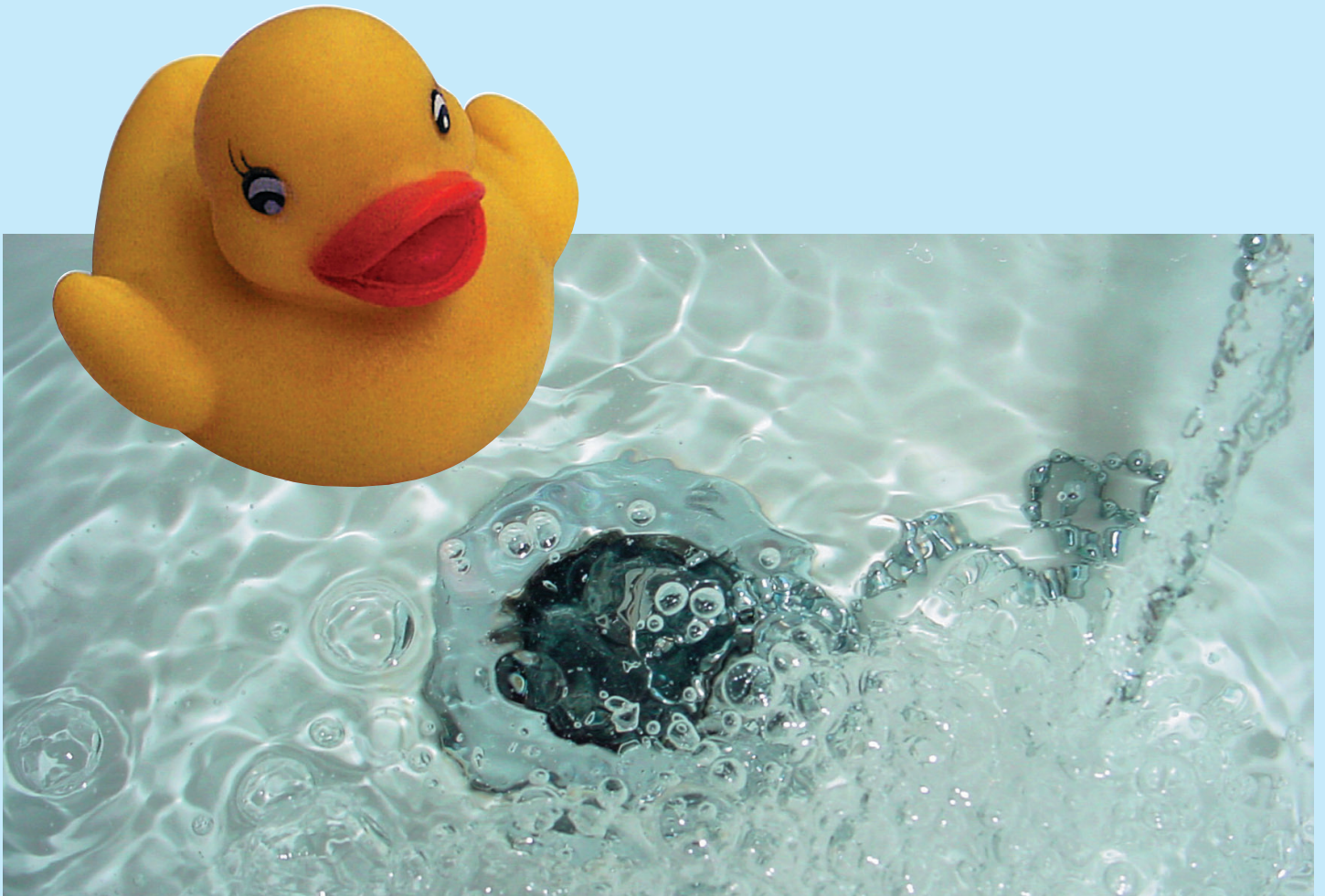
Location of inner tubes and guide plate of heaters provide usage of the whole tank volume. Heaters are lightweight and easy in installation. Acid-resistant electric heating element made of INCOLOY alloy, which comes in contact with water, provides the best possible efficiency coefficient through many years.

New moulded insulation of JÄSPI heaters is made of ecologically safe materials. Nowadays heaters are delivered with freon-free insulation.

All JÄSPI heaters are equipped with a stepless temperature controller. Power selection switch in module construction models is located behind an easy-open lid of lower service hatch in child-proof place.

This year thousands of the Finns make their choice in favor of high-quality JÄSPI heaters. JÄSPI heaters produced in Finland are operation reliable, safe and drop-proof devices. All types of JÄSPI heaters passed through long development and improvement stage in cooperation with VTT, Inspecta and SGS FIMKO. Module heaters are also purposed for export. JÄSPI heaters tested in compliance with CCA standard are widely known also in Europe, Baltic states and Russia.

Modern and operation reliable JÄSPI heaters, which are recognized by consumers, serve as Finnish quality standard both at home and export countries.



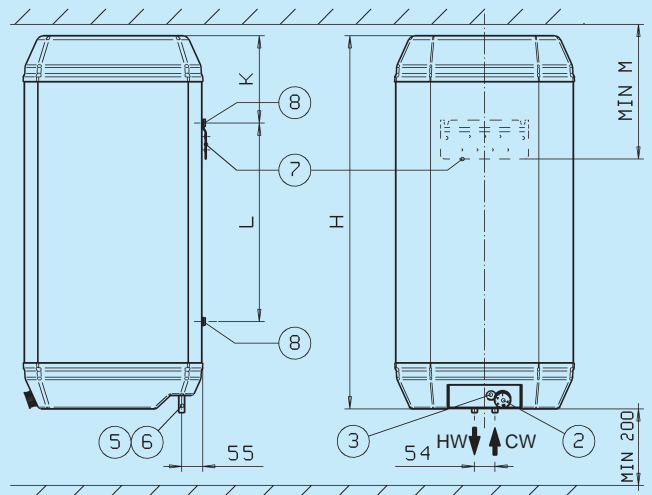
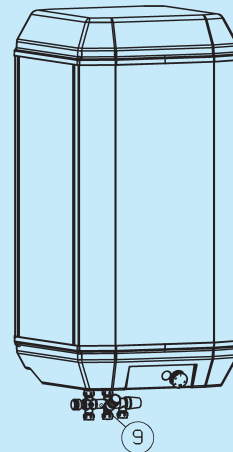
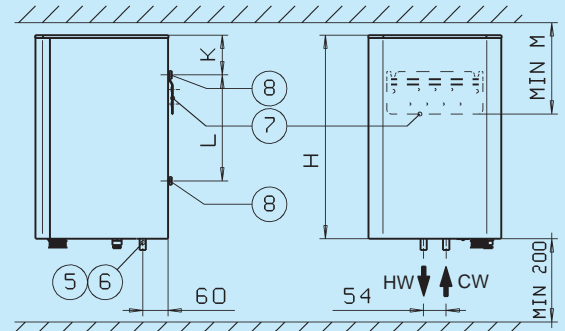
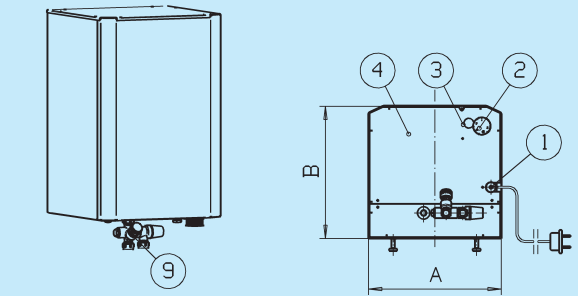
JÄSPI-VLK WATER HEATERS

New JÄSPI-VLK water heaters can be installed both vertically and horizontally. Tank volume is 15, 30, 60 and 100 liters. They are suitable for places where there's no need in big quantity of hot domestic water, e.g. for weekend cottages. Water heater dimensions allow their location even in kitchen cabinets. Water heater color in standard delivery is white. Standard power connection is made by means of a plug. Models for 60 and 100 liters are delivered also with a three-pole connector.



Delivery of JÄSPI-VLK for 15 and 30 liters includes a separate package of safety devices with a mixer tap (VLK15 without mixer tap).

Delivery of JÄSPI-VLK for 60 and 100 liters includes a separate package of safety devices with a mixer tap.



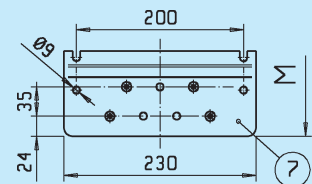
Standard delivery package includes the following equipment:

1. Water heater
2. Wall bracket
3. Screws (5x60) 4 pcs.
4. Feeding valve (VLK-15)
- 5,6. Domestic water inlet and outlet branch pipes (d=15 mm)
5. Height-adjustable legs (M8x40) 4 pcs.

LIST OF VLK PARTS:

1. Electric wire with a plug (1~) or a whole for power leads (3~)
2. Thermostatic regulator for a tank
3. Tank temperature limiter
4. Opening hatch behind which there is an electric heating element
- 5,6. Domestic water inlet and outlet branch pipes (d=15 mm)
7. Wall bracket
- 8,9. Height-adjustable legs (M8x40)
10. Electric heating element
11. Feeding valve or feeding mixing valve (branch pipes with d=15mm)

Model JÄSPI	Volume dm ³	Capacity kW	Max pressure bar	Dimensions, mm						Weight kg	Voltage V	LVI-number
				A	B	H	K	L	M			
VLK 15	15	2 (1~)	10	320	320	490	95	255	245	10	230	5260010
VLK 30	30	2 (1~)	10	320	320	750	95	515	245	20	230	5260012
VLK 60	60	2 (1~)	10	470	470	655	228	200	355	30	230	5260014
VLK 100	100	2 (1~)	10	470	470	975	228	520	355	50	230	5260020
VLK 60-3	60	3 (3~)	10	470	470	655	228	200	355	30	230/400	5260016
VLK 100-3	100	3 (3~)	10	470	470	975	228	520	355	50	230/400	5260022
VLK 160-3	160	3 (3~)	10	470	470	1475	188	1060	475	60	230/400	5260023



Wall bracket

JÄSPI-VLM WATER HEATER OF MODULE CONSTRUCTION

JÄSPI-VLM water heater is the right choice of a reasonable customer. Power selection switch included into standard equipment package and also thermostatic regulator are conveniently located in a child-proof place behind removable lid of a service hatch. Safety devices modules in VLM-S modules are delivered ready-mounted.

Sufficient mounting space, low weight height-adjustable legs and many other constructional details facilitating mounting (e.g. terminal connector in new VLM models) are very important for a mounter. Water heater color in standard delivery is white, heaters of other colors are available against special order. Tank volumes: 100 l, 160 l, 220 l, 270 l, 300 l, 340 l, 500 l, (600 l, 1000 l, 1500 l).

Also water heaters with bigger capacity are produced against special order.

NEW JÄSPI-ELEGANT!

Get to know our new Jäspi-VLM-300-S Elegant and Elegant-P -model (pat. 20060030), that saves water and energy and reduce the harmful pressurestrokes.



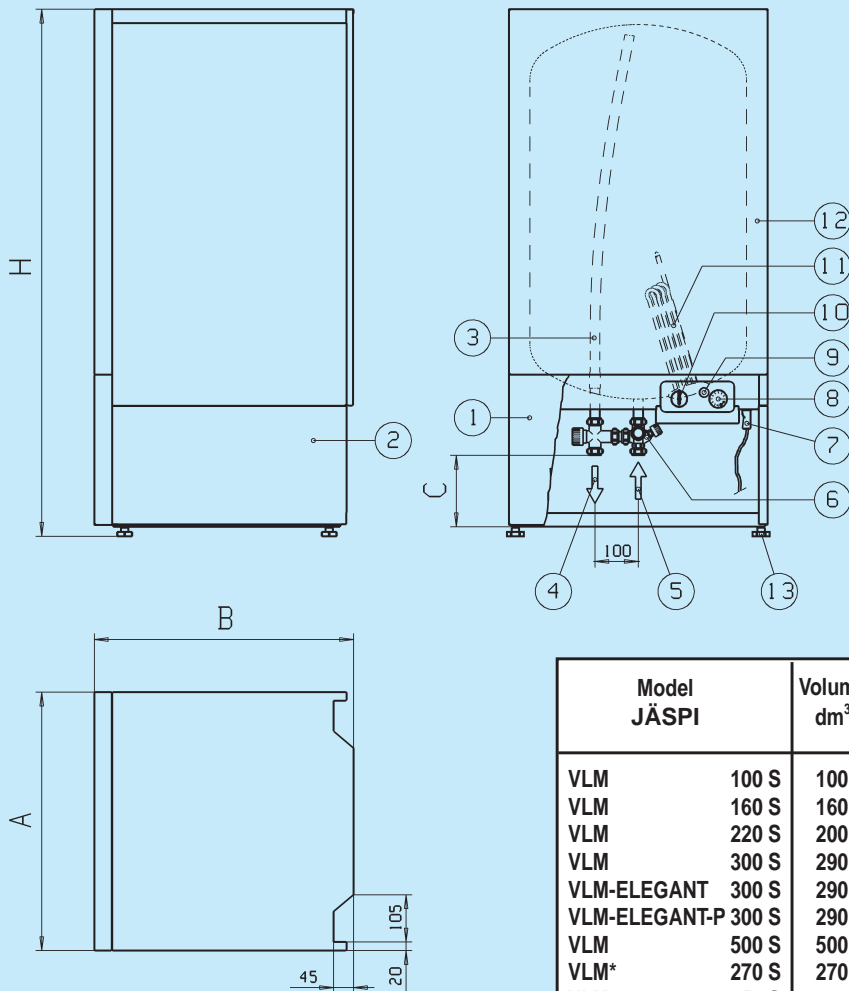
JÄSPI-VLM water heaters are equipped with removable side panels and terminal connector, which facilitate mounting



Jäspi-VLM-ELEGANT
new design



ELEGANT-P

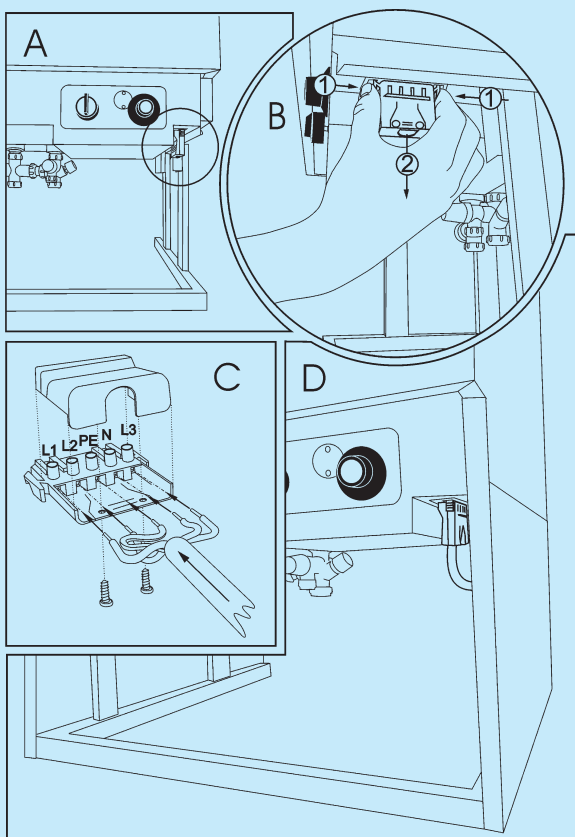


MAIN PARTS OF JÄSPI-VLM:

1. Removable front panel
2. Removable side panels are slided forward
3. Acid-resistant hot water pressure pipe
4. Hot domestic water (d=22mm)
5. Cold water (d=22mm)
6. Safety devices package
7. Terminal connector
8. Temperature thermostatic regulator
9. Temperature limiter
10. Power selection switch
11. Acid-resistant heating element made of Incoloy alloy with flanged connection; access to the element is through the hatch
12. Painted case
13. Height-adjustable leg (10-30mm)

Model JÄSPI	Volume dm ³	Capacity kW	Dimensions mm				Weight kg	LVI- number
			H	A	B	C		
VLM 100 S	100	3	845	595	595	120	50	5260070
VLM 160 S	160	3	1215	595	595	190	64	5260072
VLM 220 S	200	3	1490	595	595	190	79	5260074
VLM 300 S	290	3	1900	595	595	190	97	5260076
VLM-ELEGANT 300 S	290	3	1900	595	595	190	97	5260090
VLM-ELEGANT-P 300 S	290	3	1900	595	595	190	97	5260091
VLM 500 S	500	6	1920	730	730	100	145	5260080
VLM* 270 S	270	3	1720	595	595	120	92	5260075
VLM 350 S	340	4,5	2150	595	595	190	104	5260078
VLM** 300 OL	285	3	1900	540	540	190	96	5260093
VLM 300 S SPACE	270	3	1900	595	595	300	95	5260095

* Low model ** Narrow model



Instruction of terminal connector attachment

- (A) TERMINAL CONNECTOR, which accelerates mounting
- (B) Assembly inside terminal box has been already performed and there's no need to open it. Power is supplied to the connector. Press side locks of the connector with force and pull it out.
- (C) Open the connector and attach wires in compliance with electrical installation instructions (see User's Manual) Phase conductors (3 pcs.) L1, L2, L3
Neutral conductor N
Ground conductor PE

The conductor is fixed in the connector by means of tension reducer bolts.
- (D) Make sure before power switching that tank is filled with water. Insert the connector back. Power is switched on by means of power selection switch and temperature is regulated by thermostatic controller (e.g. up to 65 °C).

MODEL FOR SAUNAS/ JÄSPI-VLS HORIZONTAL WATER HEATER

Storage water heater of VLS model is developed for under shelves installation in sauna or installation in other tight spacing. Branch pipes of water heaters are located beneath the tank and it facilitates water supply. Location of tank inner pipes and special shape of heating element provide the most effective use of tank volume.

Standard model is of beige color. VLS models are also delivered against special order with stylish polished case made of stainless steel (RST).

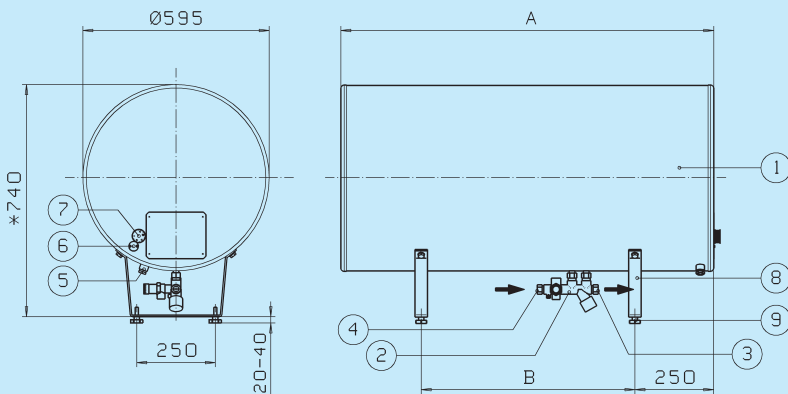
MAIN PARTS OF JÄSPI-VLS:

1. Galvanized and painted case
2. Hot domestic water R 1/2, d=18
3. Cold water supply R 1/2, d=18
4. Temperature limiter
5. Temperature thermostatic regulator
6. Rack
7. Height-adjustable leg



Model JÄSPI	Volume L	Capacity kW	Dimensions mm		Weight kg	LVI number
			A	B		
VLS 160	160	3	995	485	65	5260062
VLS 160 S	160	3	995	485	65	5260063
VLS 220	210	3	1180	680	80	5260064
VLS 220 S	210	3	1180	680	80	5260065
VLS 300	285	3	1530	1015	98	5260066
VLS 300 S	285	3	1530	1015	98	5260067

Standard delivery package does not include safety devices and mixer tap. They are installed in S models (example of such standard marking VLS-160S).



* Dimension of the lowest model of 65 mm (against a special order)

MODEL FOR SAUNAS / JÄSPI -VLS-RST HORIZONTAL WATER HEATER WITH CASE MADE OF THIN SHEET STAINLESS STEEL

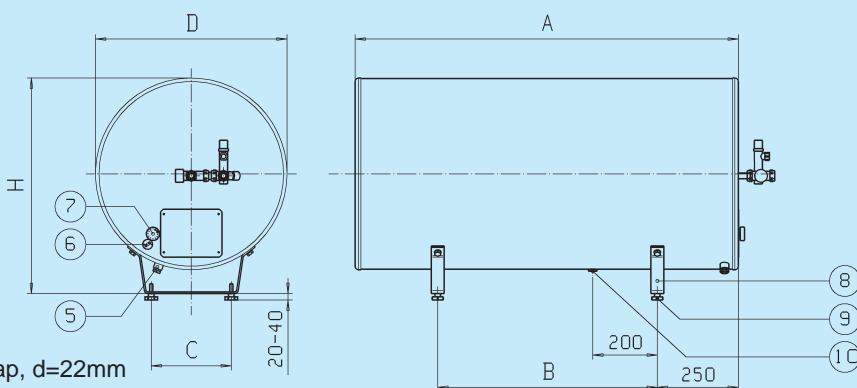
Even outer casing in RST models is made of stainless steel. Standard delivery package includes safety devices and mixer tap, but they are not installed.

Branch pipes of cold and hot water are located in the end-face of a water heater. RST models have lower height than VLS painted models.



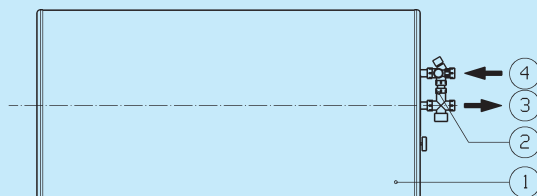
MAIN PARTS OF JÄSPI-VLS-RST:

1. Case made of stainless steel
2. Thermostatic mixing valve and feeding valve (included into the package, but not installed)
3. Hot domestic water d=22 (VLS 100 d=15)
4. Cold water supply d=22 (VLS 100 d=15)
5. Hole for power lead
6. Temperature limiter
7. Temperature thermostatic regulator
8. Rack made of stainless steel
9. Height-adjustable leg
10. Drain tube R 3/8" (in VLS 100 S RST model drainage is performed through a safety valve)



S = a separate package of safety devices with a mixer tap, d=22mm
Branch pipe size in VLS 100 S-RST model is d=15 mms

Model JÄSPI	Volume L	Capacity W	Dimensions mm					Weight kg	LVI number
			H	D	A	B	C		
VLS 100 S-RST	100	3	495	Ø470	990	515	170	50	5260088
VLS 160 S-RST	160	3	675	Ø595	995	485	250	65	5260053
VLS 220 S-RST	210	3	675	Ø595	1180	680	250	80	5260055
VLS 300 S-RST	285	3	675	Ø595	1530	1015	250	95	5260057



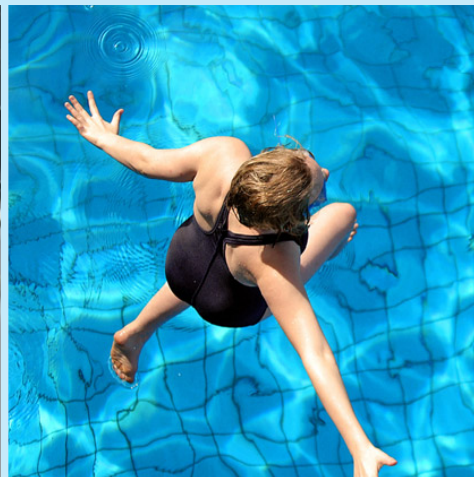
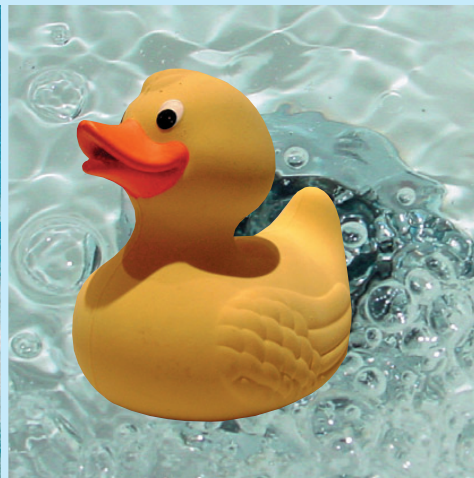
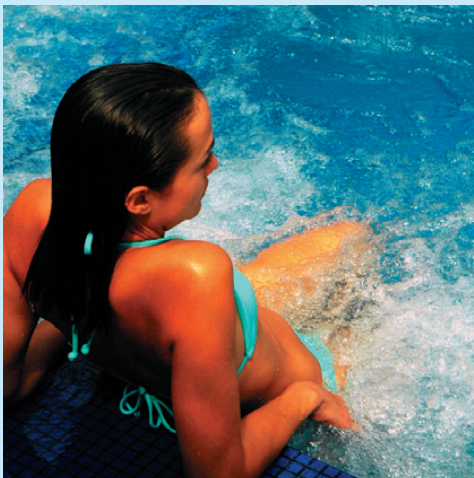
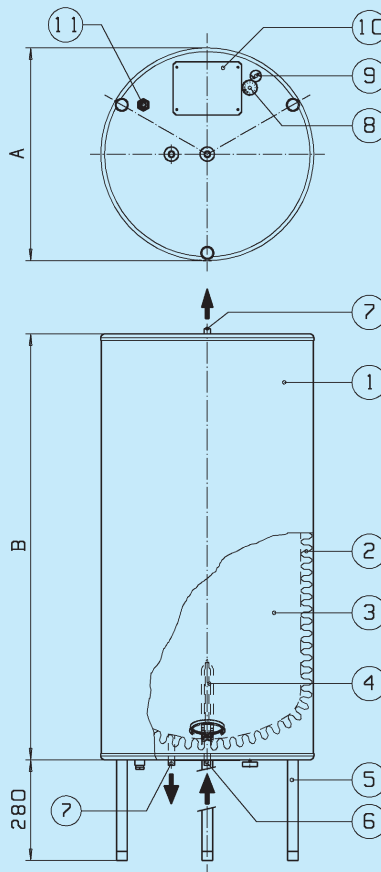
JÄSPI-VLP CYLINDER WATER HEATER

VLP Model is an inexpensive vertical cylinder-shaped water heater purposed, first of all, for warehouses. Water heaters of this model with all produced dimensions have standard capacity of 3 kW. Racks are delivered separately.

MAIN PARTS OF JÄSPI-VLP:

1. Case
2. Heat insulation
3. Tank made of high-quality steel
4. Electric heating element 3 kW
5. Racks
6. Cold water inlet d=18mm
7. Hot water outlet d=18mm
8. Temperature controller
9. Temperature limiter
10. Mounting and servicing hatch
11. Hole for power lead

Model JÄSPI	Volume L	Capacity kW	Dimensions mm		Weight kg	LVI number
			A	B		
VLP 160	160	3	595	995	65	5260026
VLP 220	210	3	595	1180	80	5260030
VLP 300	285	3	595	1530	95	5260032



LARGE-SIZED WATER HEATERS

Large-sized water heaters are produced as per consumer's desire with any tank volume and any capacity, e.g. with volume of 400 l; 600 l; 800 l; 1000 l; 1500 l; with capacity from 6 up to 75 kW.

HOW TO CHOOSE A WATER HEATER

Wide assortment allows to choose required water heater for any purpose. During choice of volume tank it is necessary to take into consideration heat time (if tariffs for day and night power consumption differ), family size, water consumption in this household, hot water peak load and other factors.

- Models of water heaters for 15, 30 and 45 liters

They perfectly suit for weekend cottages and small households. Hot water volume is sufficient for dish washing and for personal hygiene (but not for shower).

- Models for 60 and 100 liters

They perfectly suit for small households and weekend cottages. These models provide sufficient volume of hot water for laundry, feeding center and even for shower. Nevertheless, hot water consumption shall not have large peak loads. Heaters of VLK model with small volume tank are installed only for one water-supply point.

- VLM and VLP models for 100 liters

They suit for households consisting of 1-3 persons. The same use as for wall mounted heaters of models for 100 l (higher heating capacity).

- Models for 160 and 220 liters

The are sufficient for needs of 4-5 persons. In case of sauna use temperature of a heater for 160 l can be temporary increased. The models allow power consumption during night as per cheaper tariff.

- Models for 300 liters

They are more often installed in order to use power during night time; they are sufficient for needs of one family. In case of temporary peak loads of hot water consumption power consumption during day time can be used.

- Models for 500 liters

For needs of industrial plants and condominiums. Joint connection of several heaters is possible. They are usually used at objects with large consumption of domestic water.

KAUKORA OY is a leading manufacturer of water heating and water supply equipment. Main products of the company are JÄSPI water heaters, heat points of district heating, boilers (oil, gas, electric and wood-fired boilers), energy accumulators and special heating equipment. JÄSPI products are produced in Raisio and Turku.



Jäspi-VLM-ELEGANT
new design

Compare heaters of different manufacturers.

In JÄSPI models of module construction safety devices package is ready-mounted, power selection switch and temperature controller are conveniently located behind the lid of lower servicing hatch in child-proof place.

Heating elements used in JÄSPI (VLM-VLP-VLS) water heaters evenly load all the three phases of the mains. All JÄSPI heaters can be cleaned, if required, through an opening hatch. There's no hatch for cleaning in many water heaters produced by competitors. Strong high-quality steel of the tank is specially designed for use in water heaters.

JÄSPI PRODUCTS - THIS IS THE RIGHT CHOICE!

We reserve the right to change construction and dimensions of water heaters. Sale is in specialized stores.



KAUKORA OY

PL 21, Tuotekatu 11, 21201 RAISIO FINLAND
Tel. +358-2-437 4600, fax +358-2-437 4650
Email: kaukora@kaukora.fi
www.kaukora.fi

ISO 14001
ISO 9001
EN 729-2

Distributor: