

THE NEW GENERATION OF CABLE DISTRIBUTION CABINETS



Cable distribution cabinets are integral part of electricity network. These cabinets are used for commutation and distribution the power of electricity. There are mounted bus bars, fuse switches, automatic circuit swithes and other apparatus into the enclosures.

There are available a wide range of dimensions of the cabinets, depend on purposes the enclosures are used.

Main groups of customers are power generation companies, network companies, industrial companies and OEMs. The list below mentions some typical applications for cable distribution cabinets;

1. Utilities - electricity distribution in low voltage networks, substations and enclosures,
2. Distribution boards for hospitals, schools, hotels, officies, sport stadiums,
3. Street and road lightning, traffic lights,
4. Electricity supply for aircraft on the ground, for boats and ships,
5. Temporary electricity supply,
6. Distribution boards to supply standby power to various types of industrial firms, etc.

These cable distribution cabinets are built according to the following standarts:

SFS 2533

SFS EN 61439-1

SFS EN 61439-5

They are made of zinc plated sheet steel and powdered coated for outdoor use in environment classed C4 to SFS EN ISO 12944-2

Standard color RAL 7008 and RAL 7012, (other color available at request).

The degree of protection is 34D, in accordance with the requirements of SFS EN 60529



The sides of all enclosures are fitted with rivet-nuts to attach other enclosures, boxes, marking poles etc.

The enclosures have „double roof” for avoiding condensing water to go into the cabinet. The upper part of enclosure has slope to rear part 3 grades angle for to keep away the rainwater or snow.



Front panels of the enclosures are able to open without tools. Protection level if the doors are open – IP20. There are mounted special cover profiles (produced by JEAN MÜLLER) for flat busbars for touch protection according to IP20 in each location!
There are feasible to make installation of fuse switches without voltage tripping.



There is a marking label inside the cabinet (at the right side).

Some additional accessories like bottom plate of enclosure, assembling elements for fix together two cabinets, box for documents etc, are available at request!



Both parts (front and rear) of basements and right side of enclosures have an opening for a temporary power outlet.

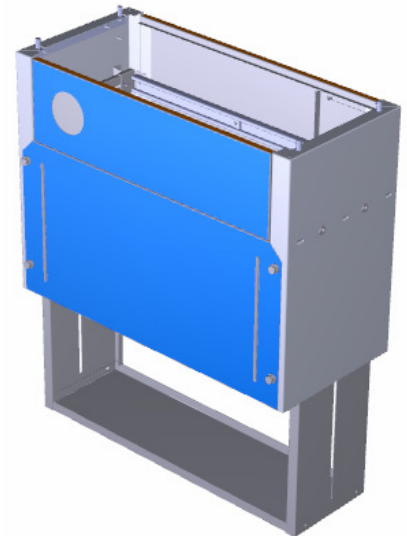
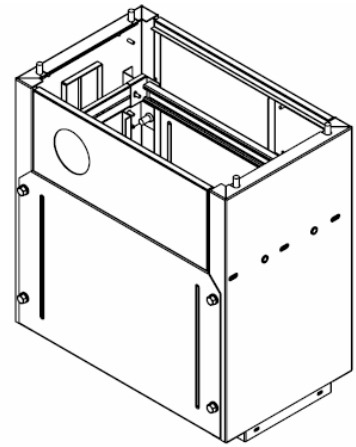
There is possible to use special rubber sealings for cables of temporary power supply in right side of cabinets.



The ground foundations is an integral part of the design. The length of the legs is individually adjustable.

There are „steering bolts” on the top of basement for fitting the cabinet direct to the basement.

To reduce the risk of condensation, we recommend filling the foundation with sand.



Excavation depth

To ensure an attractive and functional installation in the ground, we recommend excavating to a depth at which about 10 cm of the foundation is visible above the surface. A marking label indicates the ground level.

Types and dimensions of the cabinets and basements

The cabinets 630A / 500V



Height mm	Depth mm	Width mm	Type (code)	Weight kg
850	360	400	OKJK K00B 850	35
850	360	600	OKJK K0B 850	45
850	360	850	OKJK K1B 850	57
850	360	1050	OKJK K2B 850	78
850	360	1350	OKJK K3B 850	96
1200	360	400	OKJK K00B 1200	45
1200	360	600	OKJK K0B 1200	56
1200	360	850	OKJK K1B 1200	74
1200	360	1050	OKJK K2B 1200	98
1200	360	1350	OKJK K3B 1200	118



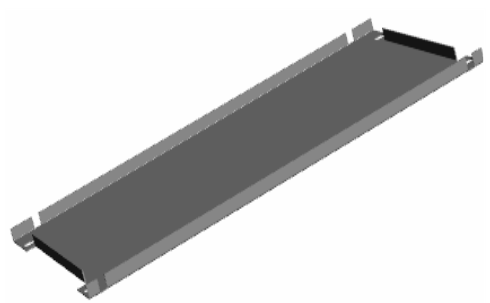
The basements



Height mm	Depth mm	Width mm	Type (code)	Weight kg
650	360	400	J-OKJK K00	30
650	360	600	J-KJK K0	35
650	360	850	J-KJK K1	41
650	360	1050	J-KJK K2	50
650	360	1350	J-KJK K3	58

Additional accessories

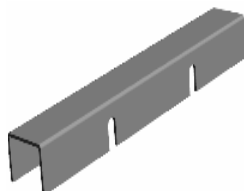
Buttom plate



Width of cabinet
mm
400
600
850
1050
1350

Plate code

Weight
kg



Fixing element

Code:



The key

Code:



Lifting brackets (set)

Code:



Document pocekt

Code: