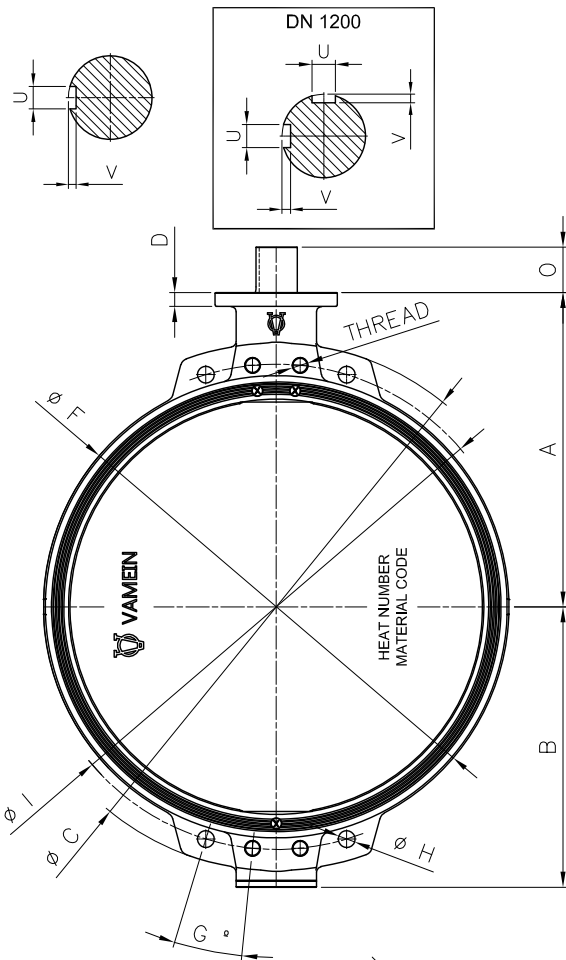
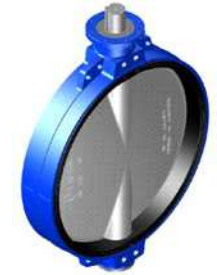
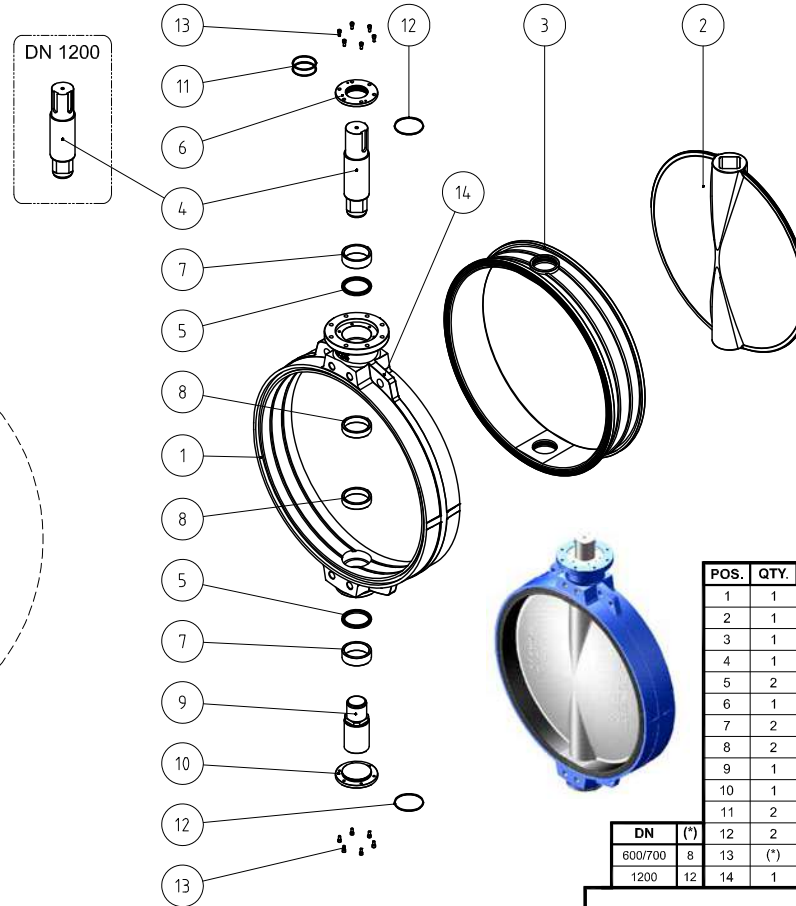


VALVES DN 650/750/800/900/1000
SEE DRAWING W-004



(ISO-5752/20)
(EN 558/20)

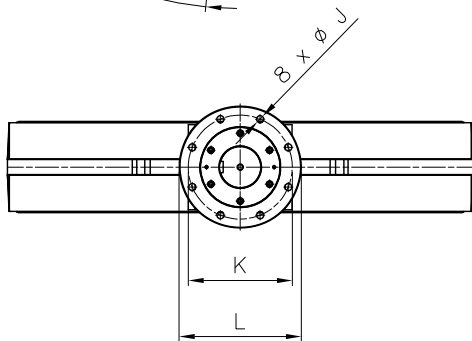


POS.	QTY.	DENOMINATION	MATERIAL
1	1	BODY	AS PER ORDER
2	1	DISC	AS PER ORDER
3	1	SEAT	AS PER ORDER
4	1	UPPER SHAFT	STAINLESS STEEL AISI 420
5	2	"CHEVRON" SHAFT SEAL	BUNA-N
6	1	UPPER COVER	STEEL
7	2	LARGE BUSHING	BRONZE
8	2	SMALL BUSHING	BRONZE
9	1	LOWER SHAFT	STAINLESS STEEL AISI 420
10	1	LOWER COVER	STEEL
11	2	O-RING	BUNA-N
12	2	O-RING	BUNA-N
13	8	BOLT (DIN - 912)	STAINLESS STEEL A2
14	1	LABEL WITH FEATURES	PVC

DRILLING STANDARDS													
NOMINAL DIAMETER		EN 1092-1&2 PN10				EN 1092-1&2 PN16				24" - ASME B 16.5 150 Lbs. ≥ 26" - ASME B16.47 150 Lbs. SERIES A			
mm	Inch.	THREAD	G°	Ø H	Ø I	THREAD	G°	Ø H	Ø I	THREAD	G°	Ø H	Ø I
600	24"	M27x45	18	30	725	M33x45	18	36	770	1 1/4" UN 8 x 45	18	35	749.3
700	28"	M27x45	15	30	840	M33x45	15	36	840	1 1/4" UN 8 x 35	12.86	35	863.6
1200	48"	M36x55	11.25	39	1380	M45x55	11.25	48	1390	1 1/2" UN 8 x 40	8,18	41,2	1422,4

ANY OTHER STANDARD ON REQUEST

NOMINAL DIAMETER	BODY GENERAL DIMENSIONS						ACTUATORS ASSEMBLY ACCORDING TO ISO-5211										WEIGHT (Kg)	"Q"	TORQUE AT 10 bar (Nm)	
	A	B	Ø C	D	E	Ø F	ASSEMBLY FLANGE					SHAFT END								
mm	Inch.	A	B	Ø C	D	E	Ø F	Ø J	K	L	Ø M	N	O	Ø R	U	V				
600	24"	532	470	840	35	154	692	F-25	17	254	300	200	5	110	72	20	7,4	231	568	4100
700	28"	573	506	927	35	165	792	F-25	17	254	300	200	5	110	72	20	7,4	260	669	5500
1200	48"	900	803	1511	40	254	1334	F-30	21	298	350	230	5	130	120	32	11,1	943	1166	16500



<p>VAMEIN de España, S.A.</p>	SET: BUTTERFLY VALVE 100 SERIES DN 600-1200 (24"-48")						DESIGNED BY: J.J.G.						
	DENOMINATION: WAFER TYPE						REF.: S.100-E/03 S20		CHECKED BY: A.S.M.				
	DRAWING NUMBER: W-003		REV.: 00		DATE: 17-11-15		SCALE: -		ACTUATOR: BARE SHAFT		WEIGHT (Lbs.): SEE TABLE		APPROVED BY: V.A.G.