

EAN: 6414150077418

www.oras.com/en/products/oras/product/2225F



Kitchen faucet with swivel pull-out spout, aerator and remote valve for dishwasher. Spout's swing angle is factory preset at 150° (can be limited to 70°). The dishwasher valve is opened by pressing a switch with signal light, and the valve closes automatically after preset period.

Dishwasher valve closes automatically after 4 or 12 hours (one push opens the valve for 4 hours, pushing for 5 seconds opens the valve for 12 hours).

Electrical connection with a plug transformer 230/5 V.

F = with flexible pipes

- Kitchen
- Single lever, Hybrid, Plug-in transformer
- Deck mounted
- Chrome
- Pull-out spout
- electronic utility shut-off valve

Technical data

Flow properties

Flow-rate at 300 kPa	0.15 l/s
Pressure loss with flow (0.2 l/s)	135 kPa

Technical properties

Hot water supply	max. +70°C
Working pressure	100 - 1000 kPa
Projection	225 mm

Software settings

Dishwasher valve open period	4 h / 12 h
------------------------------	-------------------

Electronic properties

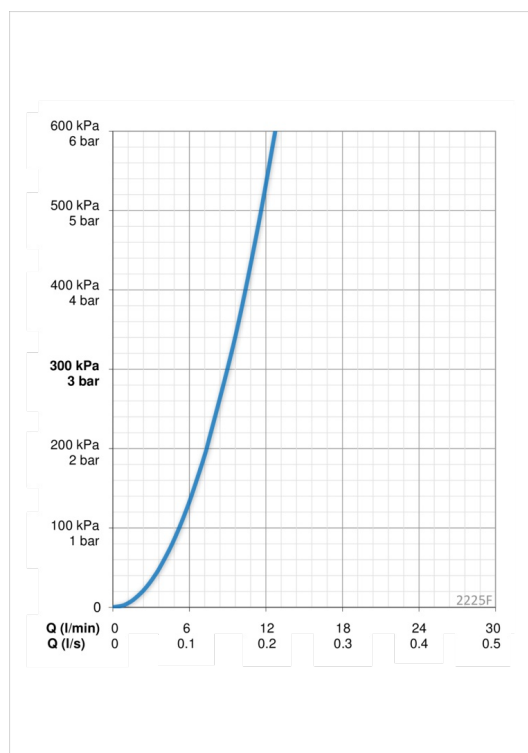
Electrical Connection	230 / 5 V
Battery	CR 2450 3 V

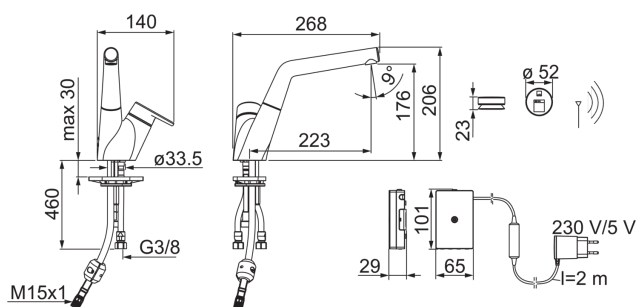
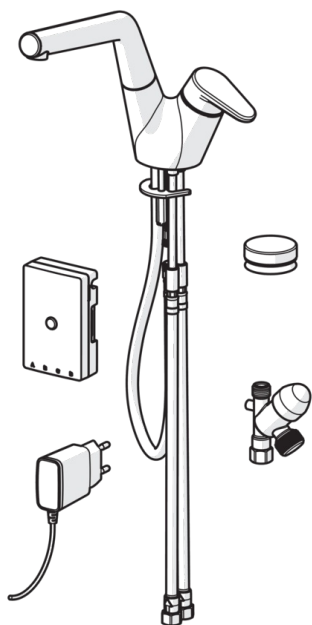
Regulations

EMC Directive	CE 2014/30/EU
EN standard	EN 15091 , EN 817
Noise class	I (ISO 3822) Oras lab.
Protection class	IP 54 / transformer IP 40

Type approvals

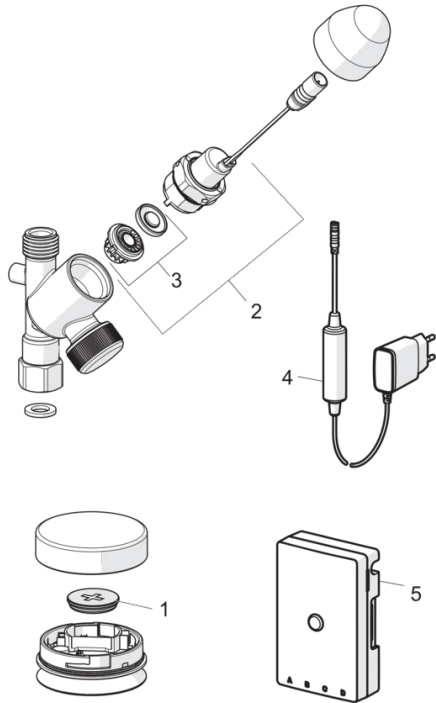
Sintef	Sintef Nr. 3315
--------	------------------------



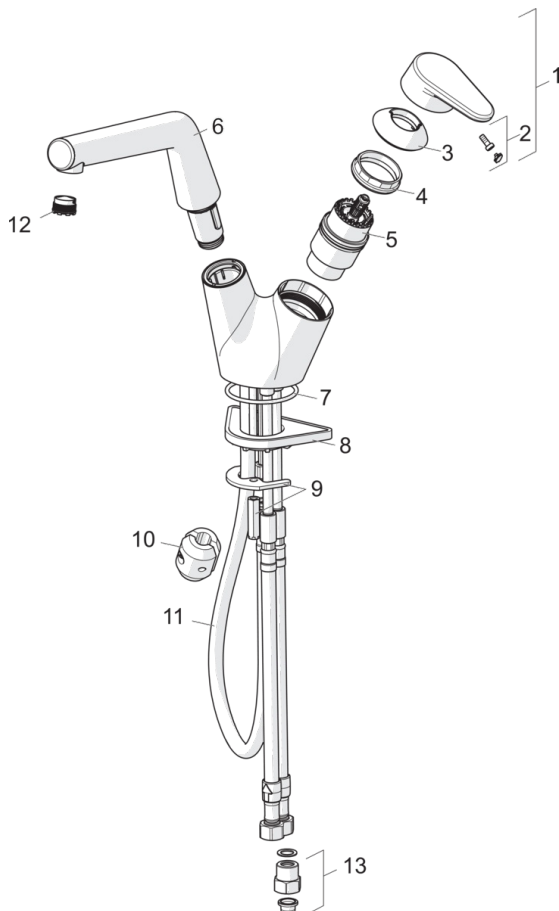


Spare parts

SP272101



	Code
01	601468V
02	601884V-F
03	601512V
04	601472V
05	601824V



SP2220F

	Code
01	601914V
02	602069V
03	601961V
04	158726
05	158890
06	1001472V
07	418347/10
08	158825
09	159607V
10	602342V
11	600533V
12	859338V
13	198473/2