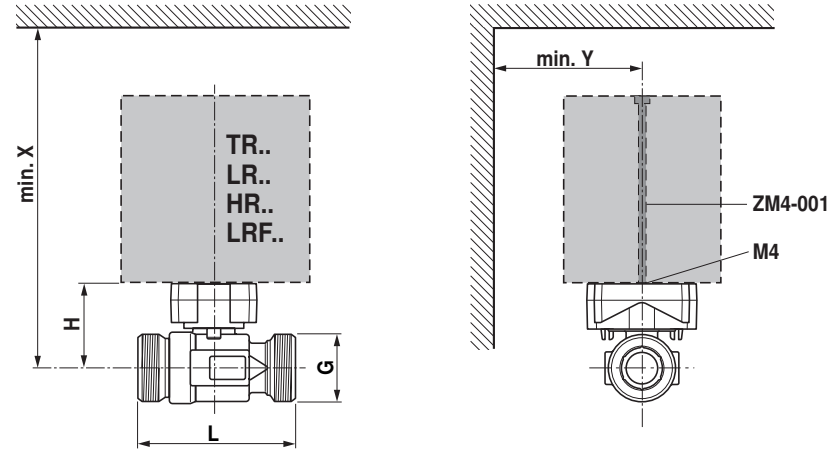
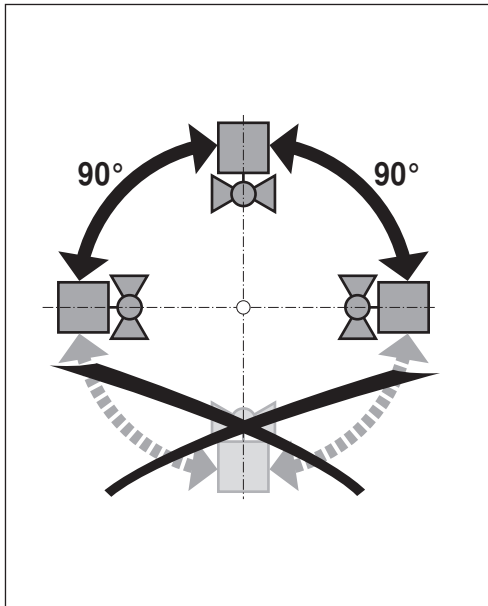




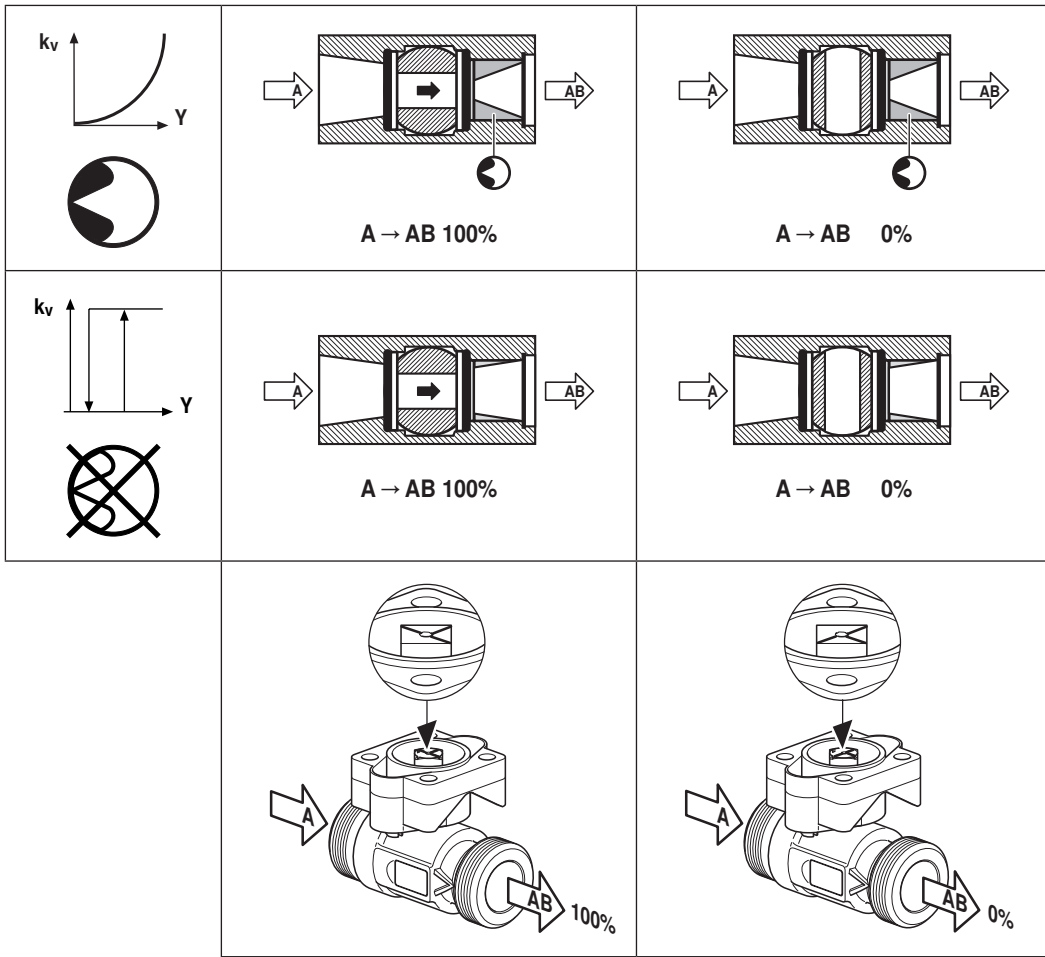
R4..D(K)



70732-00001.C



	DN	mm				TR..		LR..		HR..		LRF..		ZM..-001
		mm	G	L	H			X	Y	X	Y	X	Y	M
R404DK...R410DK	10	3/4"	65	38	160	70	160	70	190	70	170	70	M4	
R412D...R415D	15	1"	75	42	-	-	165	70	195	70	175	70	M4	
R417D...R420D	20	1 1/4"	107	55	-	-	180	70	200	70	190	70	M4	



t	+2°...+130°C					
Δp_{max}	< 800 kPa					
p_s	2700 kPa					
DN	10	15	20	10	15	20
	R404DK R405DK R406DK R407DK R408DK R409DK	R412D R413D R414D	R417D R418D R419D	R410DK	R415D	R420D

