



# TECHNICAL DATA AND INSTALLATION GUIDE

## FLOW - Combi box with grill

### **Ravensberg Consulting AB**

Stridbecksliden 4  
SE302 33 Halmstad  
Sweden

Jacob Ravensberg  
jacob.ravensberg@ravensberg.se  
+46733 88 77 40

Pieter Ravensberg  
pieter.ravensberg@ravensberg.se  
+46708 88 77 34

**[www.Ravensberg.se](http://www.Ravensberg.se)**



## FLOW – COMBI BOX WITH GRILL

- ✚ FLOW -Combi Box with Grill is suitable for mounting on outside walls.
- ✚ The combi box has been designed so that the fresh air intake and exhaust air are very well separated to avoid mixing.
- ✚ The combi box can be mounted with the exhaust-air outlet either on the right or the left.
- ✚ Standard powder-coated is: black (RAL 9005), and white (RAL 9003) red (RAL 8004) and red (RAL 3009).
- ✚ It is possible to choose any RAL color. MOQ will apply.
- ✚ Material: galvanizing steel, powder coated



### ● FLOW - Item Number:

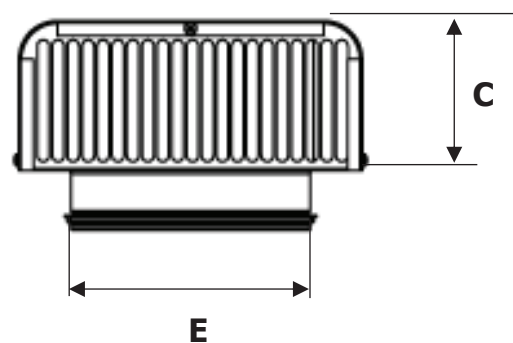
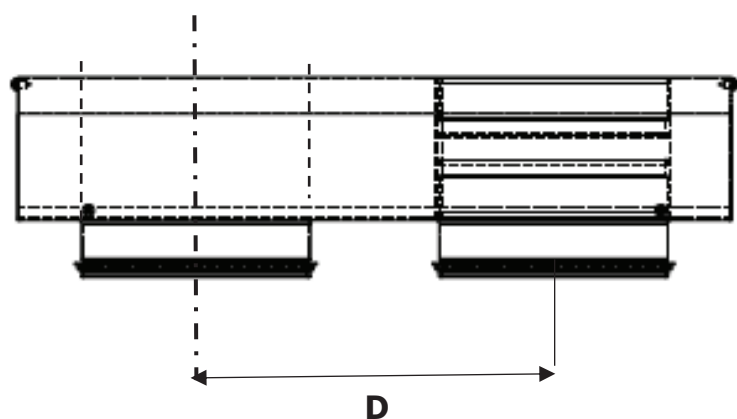
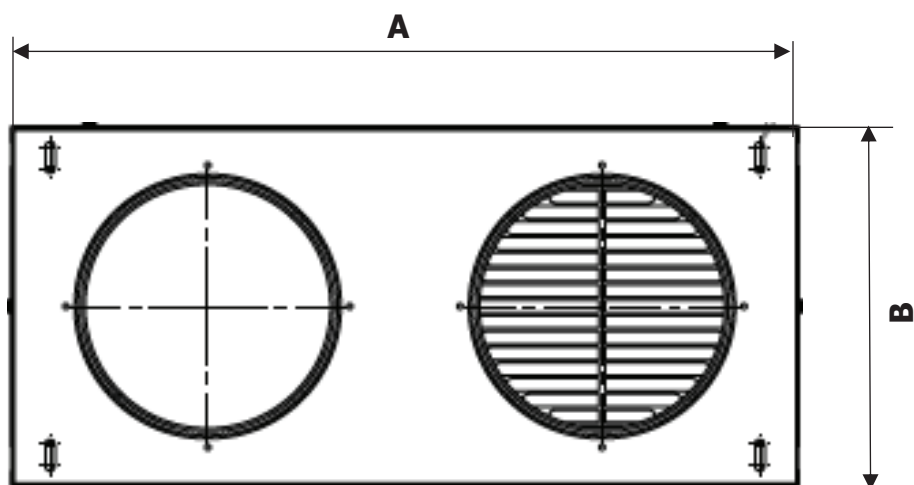
FLOW - Item number	Product Description
FLOW-125	FLOW - Combi Box with Grill, Ø125
FLOW-125B	FLOW - Combi Box with Grill, Ø125, Black, RAL 9005
FLOW-125W	FLOW - Combi Box with Grill, Ø125, White, RAL 9003
FLOW-160	FLOW - Combi Box with Grill, Ø160
FLOW-160B	FLOW - Combi Box with Grill, Ø160, Black, RAL 9005
FLOW-160W	FLOW - Combi Box with Grill, Ø160, White, RAL 9003
FLOW-200	FLOW - Combi Box with Grill, Ø200
FLOW-200B	FLOW - Combi Box with Grill, Ø200, Black, RAL 9005
FLOW-200W	FLOW - Combi Box with Grill, Ø200, White, RAL 9003
FLOW-250	FLOW - Combi Box with Grill, Ø250
FLOW-250B	FLOW - Combi Box with Grill, Ø250, Black, RAL 9005
FLOW-250W	FLOW - Combi Box with Grill, Ø250, White, RAL 9003

### ● Technical Parameters

#### ➤ Products Dimension:

FLOW	A	B	C	D	Ø E
Ø125	500	235	100	250	125
Ø160	500	235	100	250	160
Ø200	620	315	100	310	200
Ø250	720	365	100	360	250

Technical Data FLOW / 11.08.2022 / REV.0

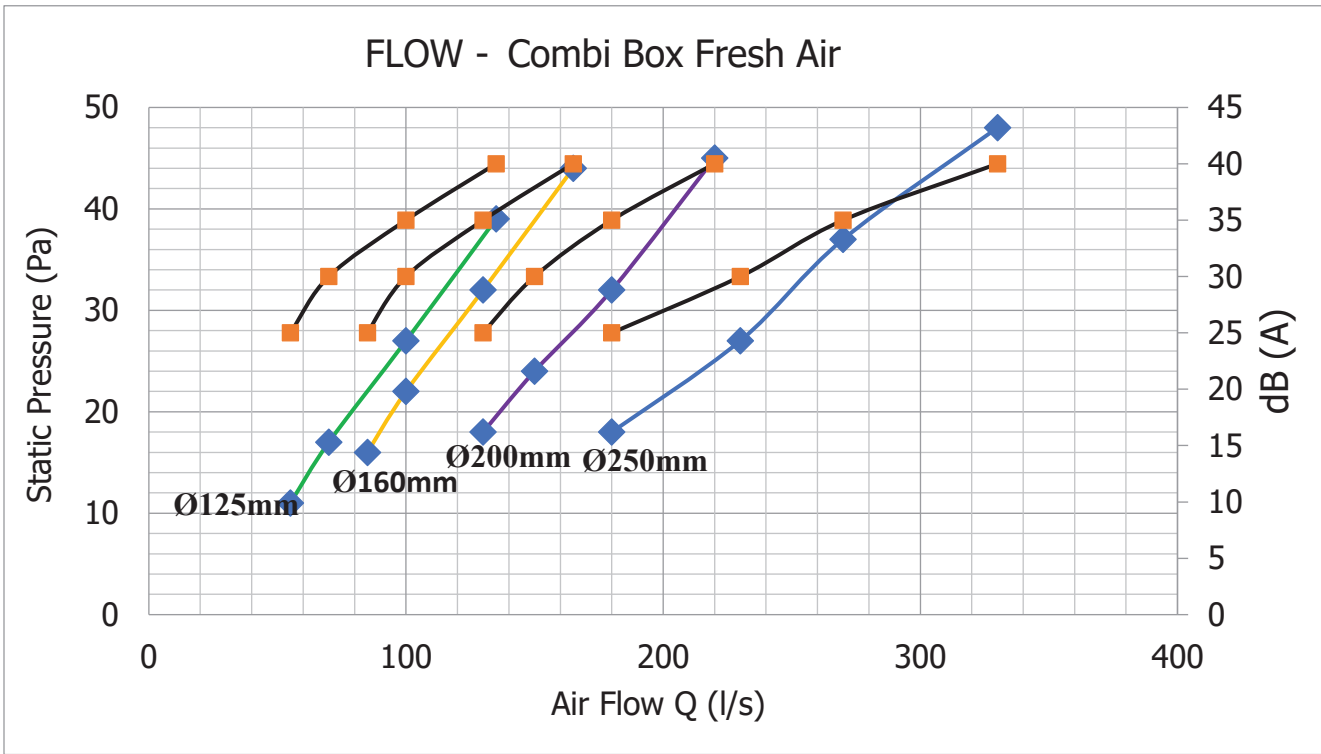


Technical Data FLOW / 11.08.2022 / REV.0

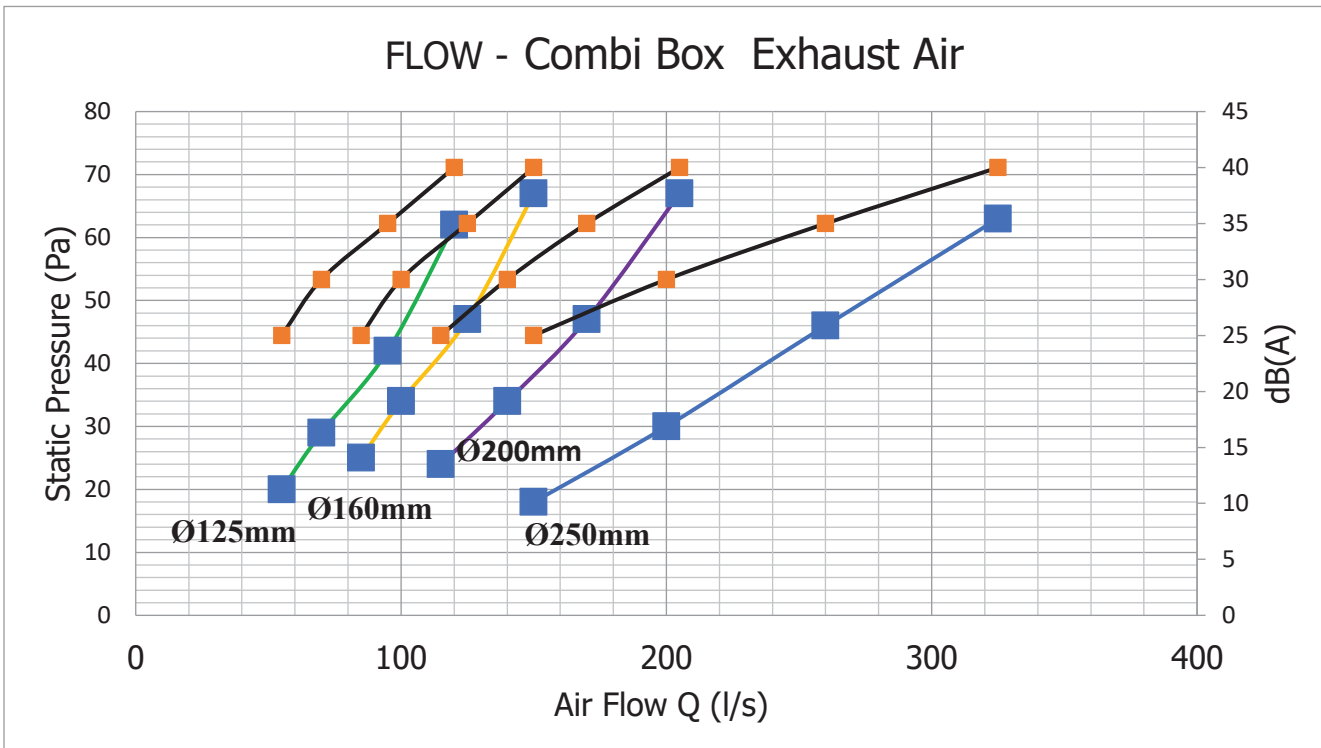


• **Performances- Graphs :**

**1. FLOW - Combi Box Fresh Air**



**2. FLOW - Combi Box Exhaust Air**



Technical Data FLOW / 11.08.2022 / REV.0



- **Installation:**

- ✚ The FLOW Combi Box with Grill is easily mounted on the wall by removing the front part by unscrewing the 6 screws on the part sides and mounting the back piece to the wall with 4 screws.
- ✚ The combi box can be mounted with the exhaust-air outlet either on the right or the left.
- ✚ We recommend using a sealant between the back piece of the combi box with grill and wall to avoid water entering the building.