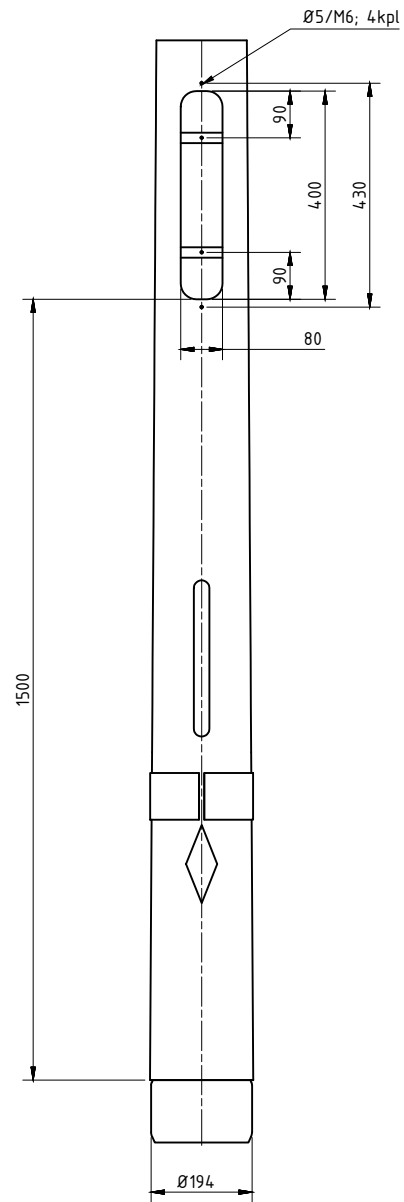


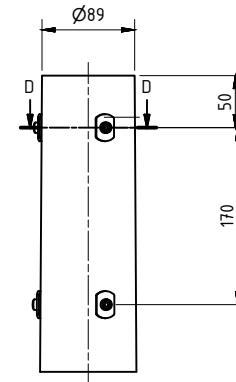
A

A (1 : 10)

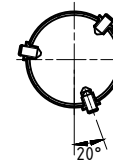


Ø5/M6; 4 kpl

B (1 : 5)



D-D (1 : 5)



Customer:

Project:

Project:

Product: HE10 4606129

TURVAPYLVÄSRUNKO

Drawing number:
1004 10KGXS

Rev.

Scale: 1 : 40 Total Mass: 78

Designed: ju.saarimaki

Date: 18.11.2020

Project number:

Checked: jo.innanen

Date: 18.11.2020