

CORNING

No Polish LC Connector SM and MM, Flat Splice, 250/900 μm

P/N 78-8140-3696-4

Issue 2

related literature | Search [corning.com/opcomm](https://www.corning.com/opcomm). Click on "Resources/Standard Recommended Procedures."

INSTRUCTIONS

CONTENTS

1.0 Kit Contents 3

2.0 No Polish LC Connector SM & MM 250/900 μm 3

SAFETY PRECAUTIONS

Protective Eyewear

CAUTION

Safety glasses should be worn when handling chemicals and cleaving the optical fiber.

Chemical Precautions

WARNING

Storage, use and disposal of isopropyl alcohol should be per your company health, safety and environmental instructions. Refer to material safety data sheet for health hazards, safe handling, proper use and control measures..

CAUTION

Product contains phenylmethyl silicone (63148-58-3), hydrophobic silica (68611-44-9) and may cause minimal eye irritation. Avoid contact with eyes and wash hands before eating or smoking. Upon eye contact, immediately flush eyes with water while holding eyelids open and continue flushing for ten minutes. Contact a physician. Upon skin contact, wash with soap and water. Product Information: Material Safety Data Sheet.

Bare Fiber Handling

NOTICE

Cleaved glass fibers are sharp and can pierce the skin. Use tweezers when handling shards and dispose of them properly per your company health and safety instructions.

Fiber/Cable Handling

CAUTION

Optical fiber can be damaged by excessive tensile, compressive and bending forces. Consult the manufactures' specifications for proper handling instructions.

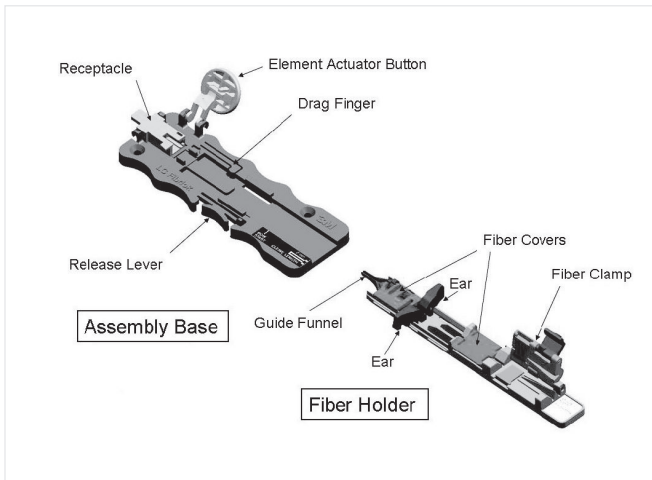
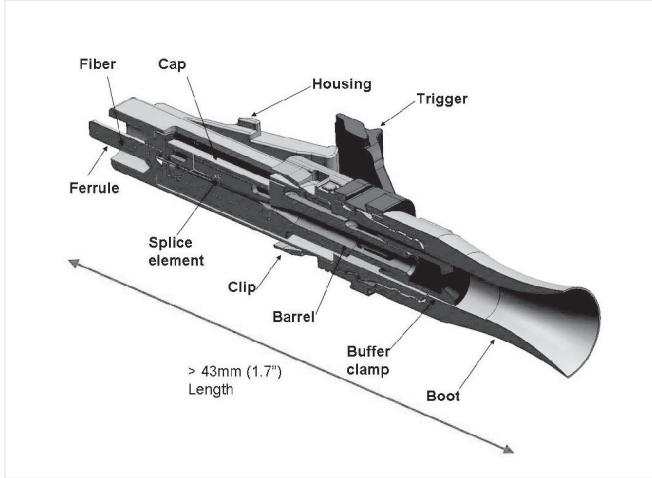
Laser Safety

CAUTION

Take the proper precautions when working with optical fiber because invisible laser light may be present. The principal laser hazard when working with fiber optics is injury to the eye. Never look directly into the fiber or connector using the naked eye or a microscope.

1.0 KIT CONTENTS

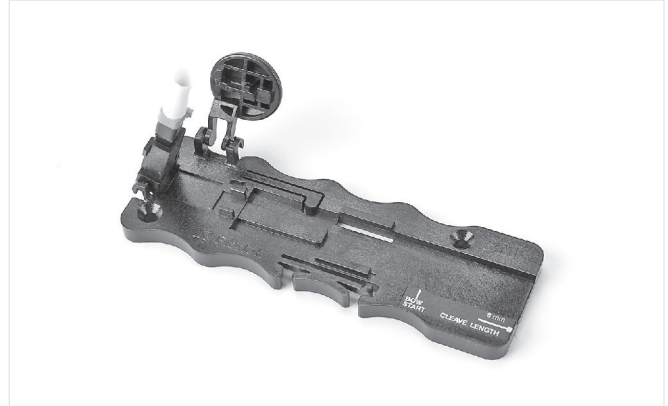
1.1 The diagrams below show the parts of the No Polish LC Connector (single mode pictured) and the No Polish LC Connector Assembly Tool 8835-AT. Please review these drawings to understand the instructions in the following pages.



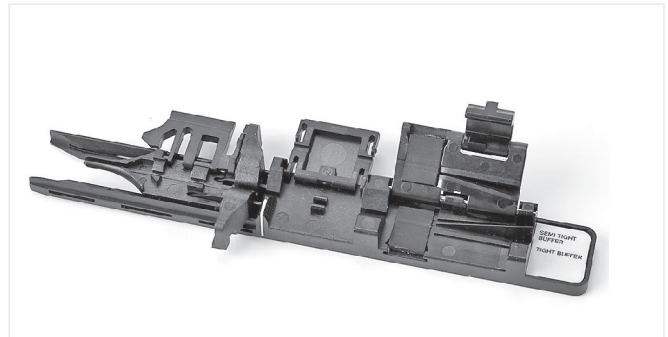
Note: Carefully follow safety, health, and environmental information given on product label or the Safety Data Sheet (SDS).

2.0 NO POLISH LC CONNECTOR SM AND MM 250/900 μ M

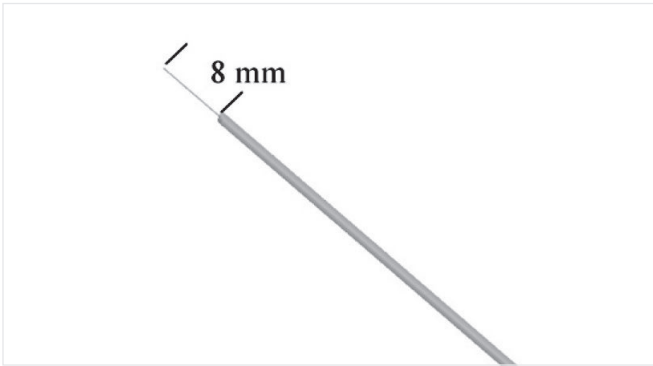
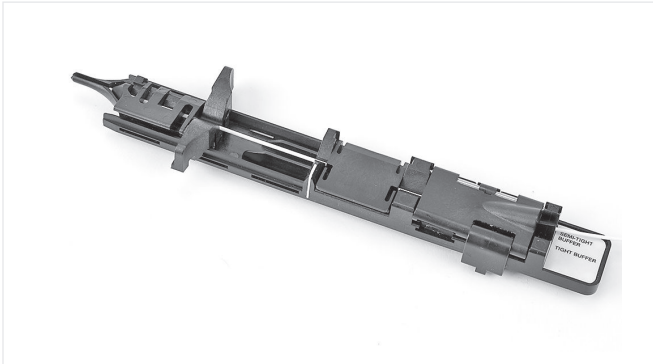
2.1 Remove the dust caps from the front and rear of the connector. Open the actuator button on the assembly tool. Pivot the receptacle upward. Then insert the connector into the receptacle, pushing down until it clicks.



2.2 Prior to each termination, clean all tools, including fiber holder, with a lint-free cloth and reagent-grade isopropyl alcohol. Move guide funnel forward on fiber holder until it stops; open fiber covers and fiber clamp.

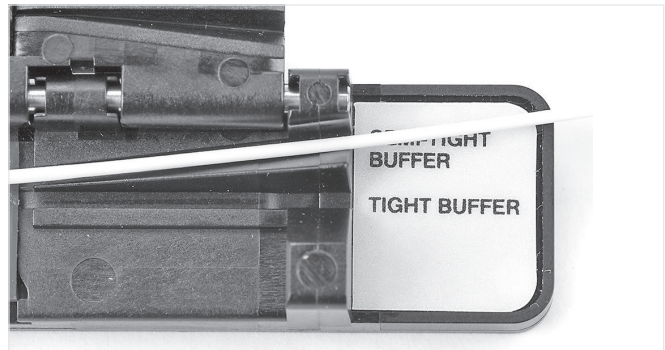
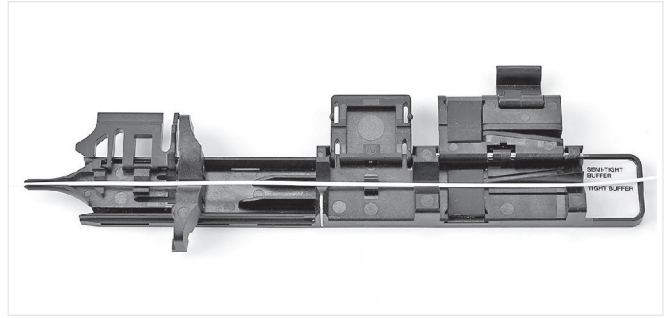


2.3 Strip, clean and cleave fiber to 8 mm +/- 0.5 mm (0.4 inches). Use the cleave length marker on the assembly base to verify the length. For semi-tight fiber, utilize the fiber holder in the stripping process by placing the fiber into the holder with the fiber to be stripped protruding from the rear of the holder, opposite the guide funnel. Close the rear clamp and proceed to strip the fiber. This will prohibit the buffer from moving or stretching during the stripping process. Once the fiber has been stripped remove the fiber from the holder..

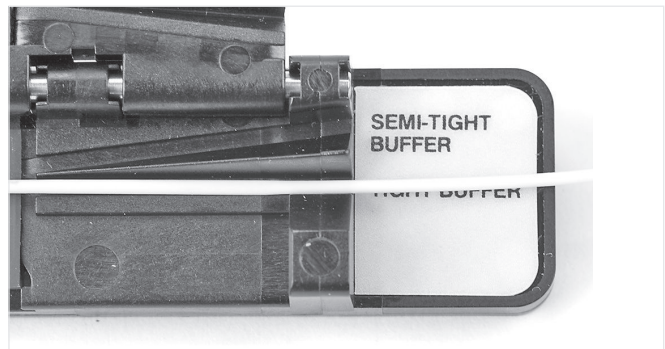


Note: For 900 μm buffer fiber, cut the buffer. If the 900 μm slides easily from the fiber, it is loose tube or semi-tight buffered fiber. When using semi-tight buffer fiber, verify that the 250 μm acrylate coating does not protrude beyond the end of the 900 μm buffer after stripping is completed and after cleaving is completed. If the 250 μm fiber moves inside the 900 μm buffer after cleaving or stripping, an additional fiber holder is required. Place the second fiber holder 8 inches (20 cm) away from the end to be stripped, with the fiber protruding from the back of the holder. Using the “semi-tight” groove, clamp the fiber and proceed to strip, clean, and cleave the fiber as if it was tight buffered. Leave the holder on the fiber until the entire termination process is complete.

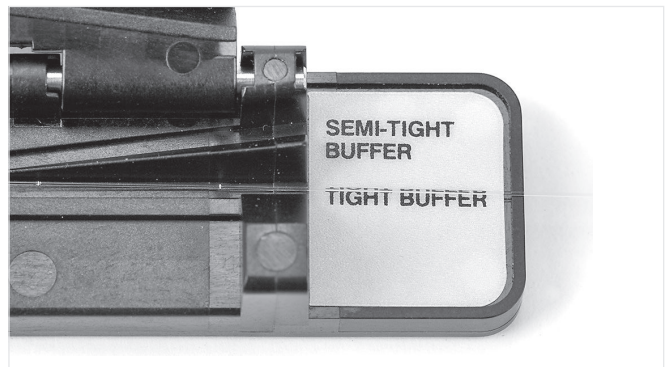
2.4 Lay the fiber in the proper groove of the fiber holder as you see below.



900 μm semi-tight buffer fiber



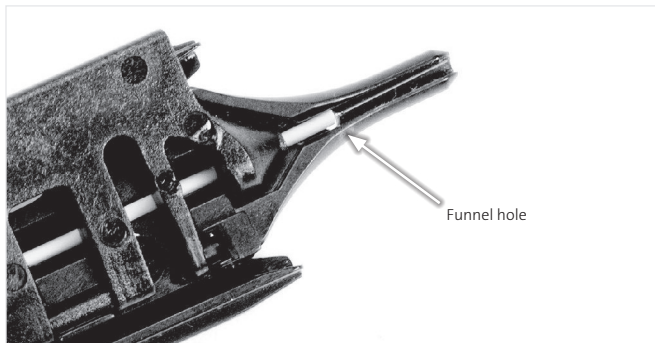
900 μm tight buffer fiber



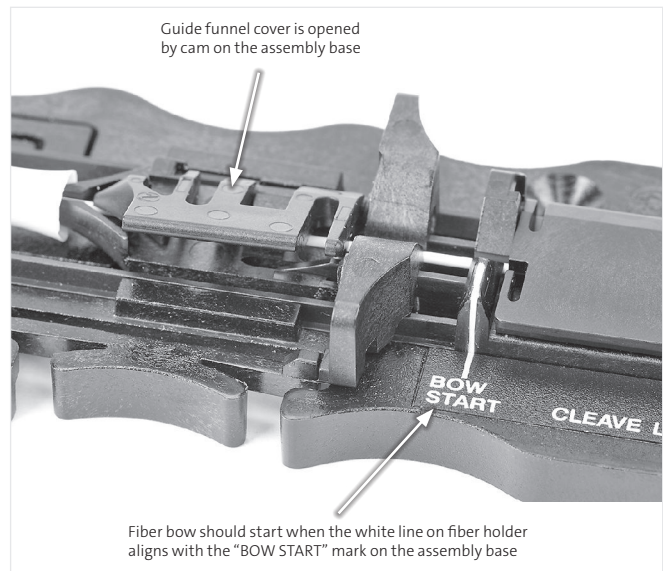
250 μm fiber

Note: For semi-tight buffer fiber, the fiber should be placed in the groove labeled “Semi-tight Buffer”. For 250 micron fiber and 900 micron tight buffer fiber, place in the fiber holder groove which is labeled “Tight Buffer”. This will provide the correct amount of clamping force for each type of fiber. In each case, make sure that the natural bow in the fiber is facing down, extending beyond the guide funnel end.

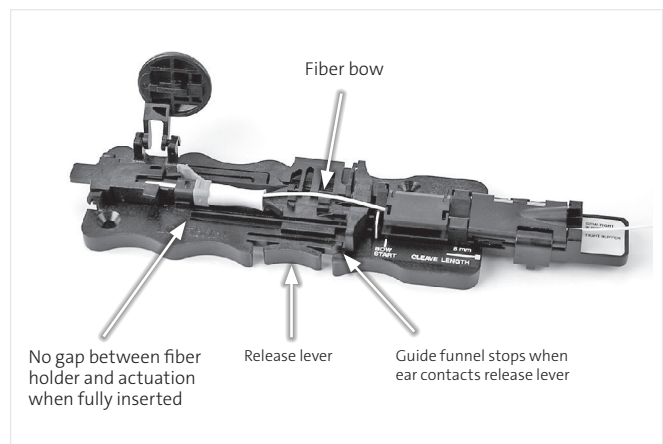
2.5 Verify the 8 mm cleave length again by using the length gauge on the assembly base. The 8 mm cleave length is measured from the end of the 900 μm buffer to the end of the cleaved fiber. Close the guide funnel and middle covers on the fiber holder. Ensure that the funnel is pushed completely forward to the end of the fiber holder. Pull fiber back until fiber end is flush with funnel end. To verify the cleave length is still correct, all coatings should align with the hole located in the funnel tip. Close the back clamp. On semi-tight buffer fiber, the 250 μm coating may protrude 1 mm past the 900 μm semi-tight buffer. Re-strip, clean and cleave the fiber if necessary to meet length requirements.



2.6 Place fiber holder in assembly base and slowly slide fiber holder forward.



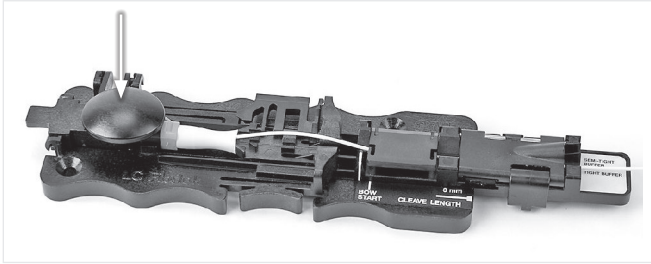
2.7 Continue to slowly slide fiber holder toward the connector. A bow in the fiber should start when the white line on the fiber holder aligns with the white line (BOW START) on the assembly base. If a bow is not seen, slide the fiber holder back and re-strip, clean and cleave the fiber and begin the termination process again. If a bow is seen before the two white lines meet, re-strip, clean and cleave the fiber and start the termination process again.



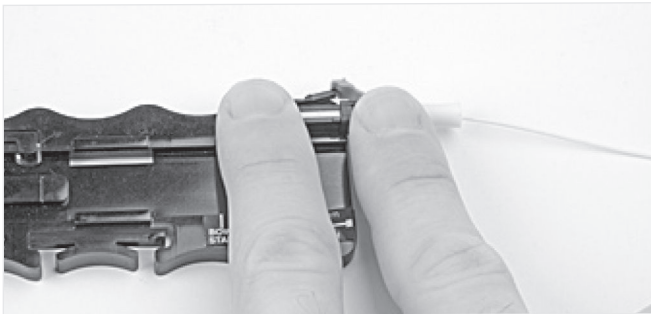
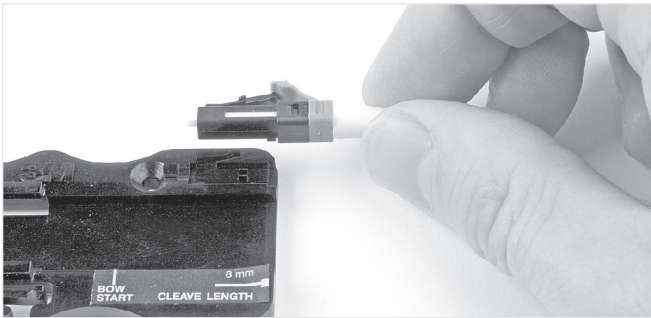
2.8 Continue to slowly slide fiber holder towards connector until it stops. Verify fiber bow again.

Note: The fiber will bow and lift the middle cover for rigid fibers and remain closed for 250 μm and flexible 900 μm fibers. This ensures proper fiber insertion force.

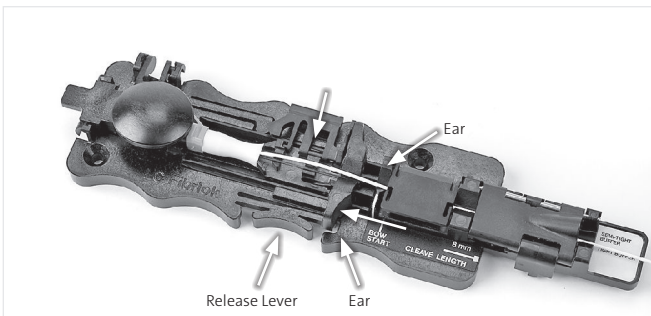
2.9 Firmly press button to actuate splice element while maintaining fiber bow.



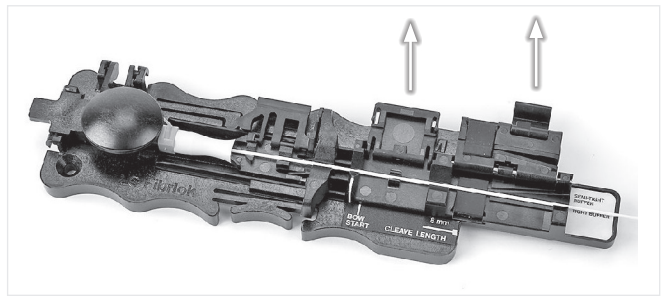
2.10 OPTIONAL STEP: If the connector needs to be tested, and potentially re-used, this is the best time in the assembly sequence to do so. Remove the connector from the tool. Test. Then either (A) place the connector in the cap popper cavity of the base. Press down firmly to pop the cap upward, which opens the splice element. Then remove the fiber, and restart with fiber preparation on step 2.3. or (B) re-insert the connector and fiber back in the tool and continue with step 2.11.



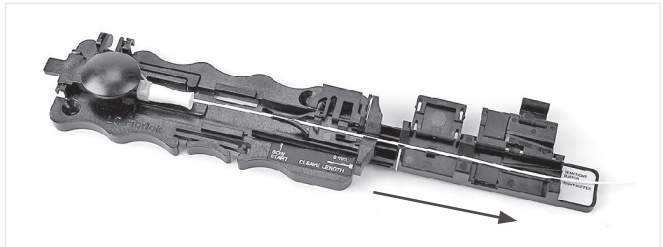
2.11 Press release lever to allow forward motion of funnel. Push on ears to move funnel forward and actuate buffer clamp.



2.12 Lift fiber clamp and fiber covers to release fiber.



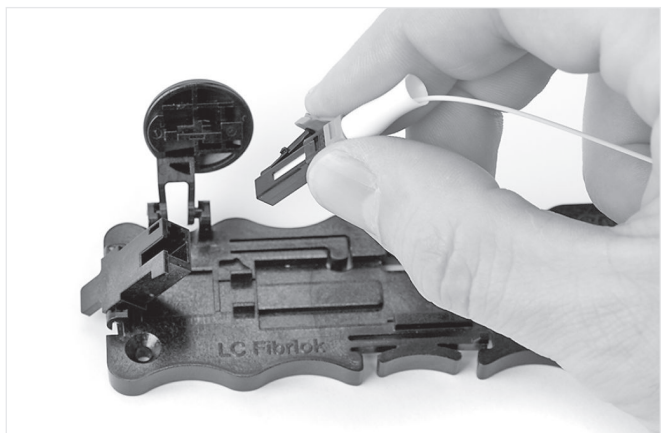
2.13 Slide fiber holder from actuation tool.



2.14 Lift element actuation button.



2.15 Pull connector from receptacle.



No Polish Connector, Kit and Tool Descriptions	Packaging
8830 No Polish Connector LC SM Plug 250/900 μm with tool (blue trigger)	60/package*
8830-APC/FS No Polish Connector SM LC/APC Plug 250/900 μm with tool (green trigger, white boot)	60/package*
6830-50 No Polish Connector LC MM 50 μm 250/900 μm with tool (black trigger)	60/package*
6830-50/LOMMF No Polish Connector LC MM 50 μm 250/900 μm LOMMF with tool (aqua trigger)	60/package*
6830-62.5 No Polish Connector LC MM 62.5 μm 250/900 μm with tool (beige trigger)	60/package*
8865 No Polish Connector Kit	1/package
8865-C No Polish Connector Kit with Cleaver	1/package
8865-AT No Polish LC Connector Assembly Tool	1/package

*"RoHS Compliant 2002/95/EC" means that the product or part ("Product") does not contain any of the substances in excess of the maximum concentration values in EU Directive 2002/95/EC, as amended by Commission Decision 2005/618/EC, unless the substance is in an application that is exempt under EU RoHS. This information represents Corning's knowledge and belief, which may be based in whole or in part on information provided by third party suppliers to Corning.

No Polish Connector Kit 8865-C with Cleaver

Kit Contents:

8865-AT NPC SC Assembly Tool 250/900 μm

8835-AT NPC LC Assembly Tool 250/900 μm

2534 Fiber Cleaver (not included in 8865 kit)

6365-ST Stripping Tool

6365-KS Kevlar Snips

Lint-Free Cloths (100/pkg)

Cleaning Alcohol Bottle



NOTES:

Corning Optical Communications LLC • 4200 Corning Place • Charlotte, NC 28216 USA
800-743-2675 • FAX: 828-325-5060 • International: +1-828-901-5000 • www.corning.com/opcomm

Corning Optical Communications reserves the right to improve, enhance, and modify the features and specifications of Corning Optical Communications products without prior notification. A complete listing of the trademarks of Corning Optical Communications is available at www.corning.com/opcomm/trademarks. All other trademarks are the properties of their respective owners. Corning Optical Communications is ISO 9001 certified. © 2019 Corning Optical Communications. All rights reserved.