



INDICATIVE PRODUCT IMAGE

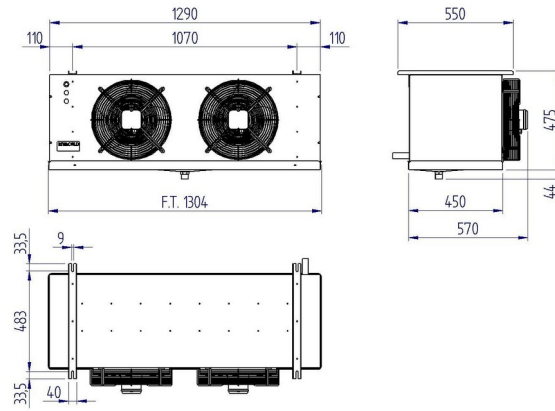
Product file

Code	RCMR2350406ED
Range	RCMR
Model	Cubic
Application	MBP
PED	0
Rows number	4
Total surface	16.8 m ²
Defrosting (Watt)	2800 W
Net weight	38.1 kg
Inlet connection	12 mm-1/2" sae
Outlet connection	28 mm
Drain connection	1" Gas (33mm)
Fin spacing	6
Circuit volume	5.26 dm ³

Fan-motor

Type	External rotor
Fan-motors no.	2
Diameter	350 mm
Power supply	230/1/50-60
High speed	1400 rpm
Power consumption	260 W
Current consumption	1.16 A
Air flow	4287 m ³ /h
Air throw	14 m

Technical data - RCMR2350406ED



Refrigerating capacity table (W) - RCMR2350406ED

High speed - RCMR2350406ED

$\Delta T \setminus$ Cold room Temp	-20 °C	-15 °C	-10 °C	-5 °C	0 °C	2 °C	4 °C	6 °C	8 °C	10 °C	12 °C	15 °C
5 K	3894 ⁽¹⁾	4048	4246	4499	4840	4873	4939	5071	5214	5368	5533	5781
6 K	4620 ⁽¹⁾	4796	5016	5291	5654	5687	5753	5830	5995	6149	6314	6562
7 K	5324 ⁽¹⁾	5544	5786	6072	6446	6490	6534	6622	6765	6919	7073	7304
8 K	6039 ⁽¹⁾	6281	6556	6875	7271	7337	7392	7491	7579	7777	7942	8190
9 K	6699 ⁽¹⁾	6996	7304	7656	8085	8162	8228	8327	8426	8602	8778	9042
10 K	7381 ⁽¹⁾	7689	8030	8415	8866	8965	9053	9130	9284	9372	9592	9922

(1) Application outside the recommended range

Values referred to :
Gas R452A



INDICATIVE PRODUCT IMAGE

General features

- RCMR ø350 range unit coolers have been designed to be installed inside cold rooms suited for fresh and frozen goods storage
- This range completes the RC and RCS range applications and though having extremely compact dimensions, reaches bigger capacities suited for medium size cold rooms
- RCMR ø350 range is available in different combinations of fan spacing dimensions and tube rows properly sized according to the needed applications
- The ED version is supplied with mounted defrosting heaters and is suitable for being used at low temperature applications
- The fan motors operate in the suction mode and prevent the condensate forming on the fan
- The coil is made of aluminium fins, 12 mm copper tube and a geometry of 37,5 x 32,5
- RCMR ø350 unit coolers can be classified in three groups according to the needed cold room temperature (Tc): 4mm fin spacing for a Tc from -5°C to +15°C; 6mm fin spacing for a Tc from -20°C to +15°C; 8mm fin spacing for a Tc from -40°C to +4°C.
- The coils are tested with nitrogen at a pressure of 25 bar.
- The fan motor models in use have the following features:
 - Manufactured following EN 60335-1 laws, with internal thermal protection
 - Fan diameter 350 mm, external rotor
 - Power supply 230-240V/1/50-60Hz
 - IP44 protection rate
 - F insulation class
 - operating temperature -40°C a +65°C
 - Electrics made in conformity with 2006/95/CE Low Tension directive
- The housing is made of aluminium
- The manufacturing solutions used give the housing strength and guarantee the absence of vibrations during the functioning.
- Screws, washers and nuts are made of stainless steel