



INDICATIVE PRODUCT IMAGE

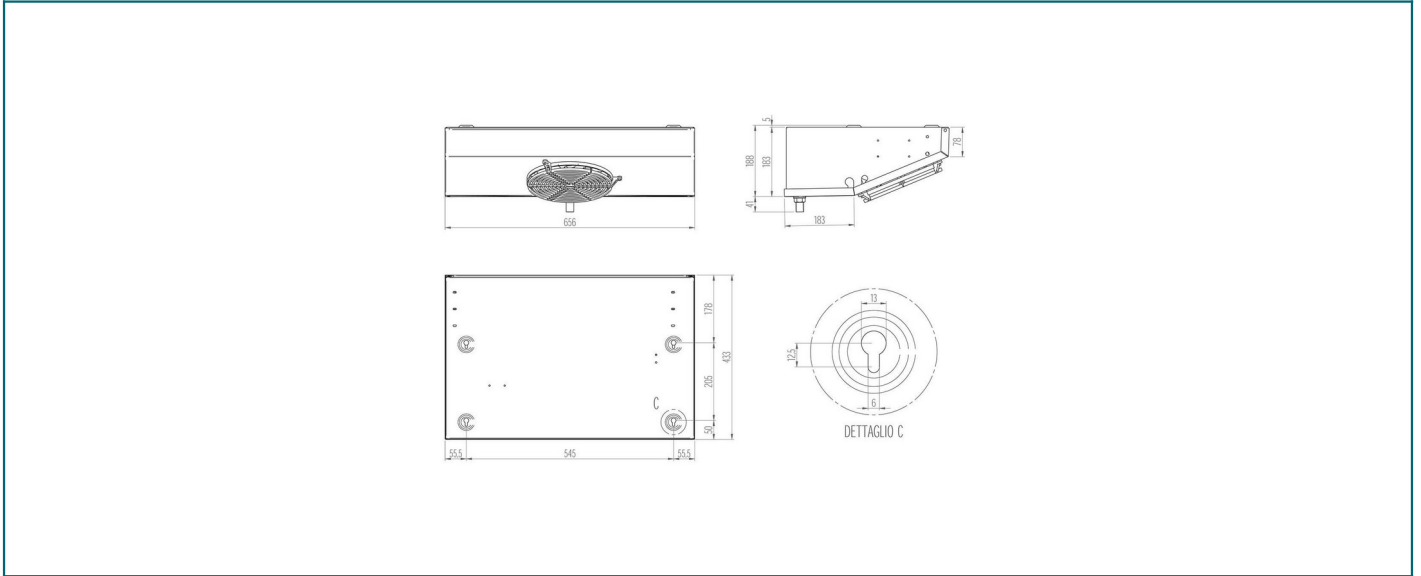
Product file

Code	RSV1200405ED
Range	RSV
Model	Ceiling
Application	MBP
PED	0
Rows number	4
Total surface	2.83 m ²
Defrosting (Watt)	650 W
Net weight	7.2 kg
Inlet connection	12 mm
Outlet connection	14 mm
Drain connection	1/2" Gas (20mm)
Fin spacing	5
Circuit volume	1 dm ³

Fan-motor

Type	Shielded poles
Fan-motors no.	1
Diameter	200 mm
Power supply	230/1/50
High speed	2600 rpm
Power consumption	62 W
Current consumption	0.27 A
Air flow	630 m ³ /h
Air throw	3 m

Technical data - RSV1200405ED



Refrigerating capacity table (W) - RSV1200405ED

High speed - RSV1200405ED

$\Delta T \setminus$ Cold room Temp	-35 °C	-30 °C	-25 °C	-20 °C	-15 °C	-10 °C	-5 °C	0 °C	2 °C	4 °C	6 °C	8 °C	10 °C	12 °C	15 °C
5 K	336	346	356	367	380	398	423	456	456	454	474	487	504	520	544
6 K	424	441	451	465	481	502	529	566	567	568	574	598	613	631	658
7 K	506	529	548	562	581	605	636	675	678	680	679	705	721	738	764
8 K	584	617	642	659	683	711	746	791	798	801	806	815	843	863	893
9 K	658	700	732	760	785	816	854	905	914	921	927	931	960	988	1031
10 K	729	780	821	854	883	918	960	1017	1026	1036	1045	1055	1074	1102	1145

Values referred to :
Gas R449A Mid



INDICATIVE PRODUCT IMAGE

General features

- RSV unit coolers have been designed to be installed inside cold rooms suited for fresh and frozen goods storage
- Their shape, being extremely compact, make their installation possible also in cold rooms having very small dimensions
- Thanks to their high speed fan motors, wired on terminal box, and to the evaporator coil placing that give them a higher thermal change, give a result of higher capacities compared to the same overall dimensions
- The coil is made of aluminium fins and 3/8" copper tube with geometry 25x22
- It is tested with nitrogen at a pressure of 25 bar
- 5 mm fin spacing.
- The ED version, supplied with fitted defrosting heater and wired on a terminal box is particularly suitable for being used in low temperature applications.
- The fan motor models in use have the following features:
 - Manufactured following EN 60335-1 laws, with internal thermal protection
 - Draw through air flow
 - Fan guard and brackets made of plastic
 - Fan diameter 200mm, 34° inclination
 - Power supply 230-240V/1/50-60Hz
 - IP42 protection rate
 - Operating temperature from -40°C to +40°C
 - B insulation class
 - Electrics made in conformity with 2006/95/CE Low Tension directive
 - The housing is made of aluminium
- The manufacturing solutions used give the housing strength and guarantee the absence of vibrations during the functioning.
- Screws, washers and nuts are made of stainless steel
- All models are supplied with fitted drip tray