



INDICATIVE PRODUCT IMAGE

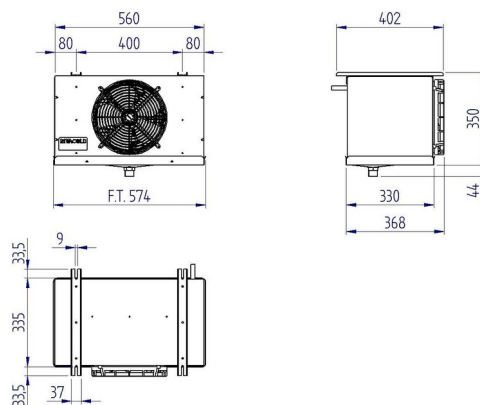
Product file

Code	RC125-16ED
Range	RC
Model	Cubic
Application	MBP
PED	0
Rows number	6
Total surface	5.59 m ²
Defrosting (Watt)	750 W
Net weight	11.3 kg
Inlet connection	12 mm
Outlet connection	16 mm
Drain connection	1" Gas (33mm)
Fin spacing	5.3
Circuit volume	1.89 dm ³

Fan-motor

Type	Shielded poles
Fan-motors no.	1
Diameter	254 mm
Power supply	230/1/50-60
High speed	1300 rpm
Power consumption	65 W
Current consumption	0.45 A
Air flow	736 m ³ /h
Air throw	7 m

Technical data - RC125-16ED



Refrigerating capacity table (W) - RC125-16ED

High speed - RC125-16ED

$\Delta T \setminus$ Cold room Temp	-40 °C	-35 °C	-30 °C	-25 °C	-20 °C	-15 °C	-10 °C	-5 °C	0 °C	2 °C	4 °C	6 °C	8 °C	10 °C	12 °C	15 °C
5 K	511	544	572	597	613	639	675	721	784	787	789	823	850	881	913	961
6 K	614	662	705	738	767	793	832	884	950	960	969	979	1017	1055	1083	1126
7 K	709	772	828	872	911	942	988	1045	1121	1131	1140	1140	1188	1216	1254	1311
8 K	799	873	944	1007	1055	1102	1140	1207	1292	1311	1321	1330	1359	1406	1444	1501
9 K	877	969	1055	1131	1188	1245	1311	1387	1482	1501	1520	1530	1549	1606	1644	1701
10 K	945	1055	1159	1245	1321	1387	1463	1549	1644	1672	1691	1710	1739	1767	1824	1910

Values referred to :
Gas R449A Mid



INDICATIVE PRODUCT IMAGE

General features

- RC range unit coolers have been designed to be installed inside cold rooms suited for fresh and frozen goods storage
- Their shape, being extremely compact, make their installation possible also in cold rooms having very small dimensions
- The ED version is supplied with mounted defrosting heaters and is suitable for being used at low temperature applications.
- The fan motors operate in the suction mode and prevent the condensate forming on the fan
- The coil is made of aluminium fins (fin spacing 5,3 mm) and 3/8" copper tube
- It is tested with nitrogen / helium at a pressure of 25 bar.
- The fan motor models in use have the following features:
 - Manufactured following EN 60335-1 laws, with internal thermal protection
 - Fan diameter 250mm, 28° inclination
 - Power supply 230-240V/1/50-60Hz
 - IP42 protection rate
 - Operating temperature from -40°C to +40°C
 - B insulation class
- Electrics made in conformity with 2006/95/CE Low Tension directive
- The housing is made of aluminium
- The manufacturing solutions used give the housing strength and guarantee the absence of vibrations during the functioning.
- Screws, washers and nuts are made of stainless steel