

Data sheet

Manual setting and shut off knobs

Application



The setting knob is used to manually open and shut radiator valves.

The shut off knob is a tool designed to replace the radiator thermostat when removing a radiator with which is still pressurised.

Setting knobs are available in white and in chrome surface.

The setting knob fits all RA 2000 valve bodies. It is designed to a max. pressure of 1.000 kPa/0.6 bar.

Materials Knob: PBT
Socket: Polyamide

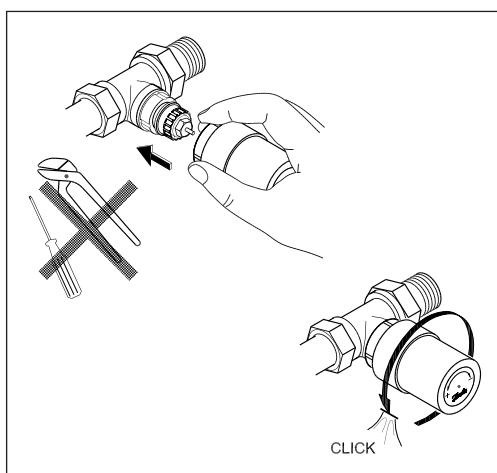
Material Brass, Ms 58

Ordering and technical data

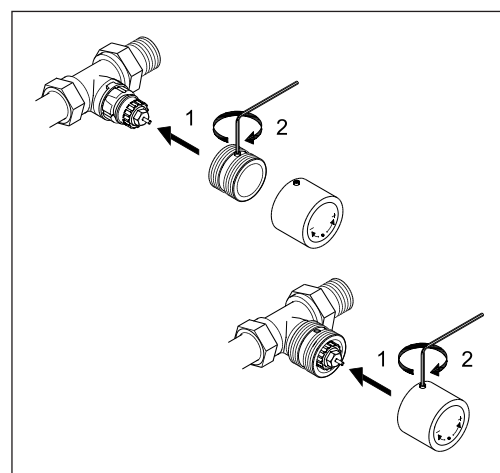
Product type	Valve connection	Colour	Max. diff. pressure	Max. water temp.	Code no.
Manual setting knob	Danfoss RA 2000	White, RAL 9010	0.6 bar	90 °C	013G5002
	M30 x 1.5	White, RAL 9010	0.6 bar	90 °C	013G5003
	Danfoss RTD	White, RAL 9010	0.6 bar	90 °C	013L5002
	Danfoss RA 2000	Chrome	0.6 bar	90 °C	
	M30 x 1.5	Chrome	0.6 bar	90 °C	
	Danfoss RTD	Chrome	0.6 bar	90 °C	
Manual shut off knob for high pressure valves	Danfoss RA 2000	Brass	10 bar	120 °C	013G3300
Manual shut off knob for high pressure valves	Danfoss RTD	Brass	10 bar	120 °C	013G3305

Note! *Manual setting knobs offer no frost protection to the radiator. In order to control room temperature a radiator thermostat is required.*

Mounting

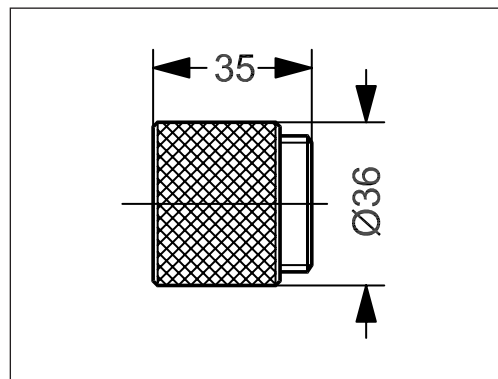
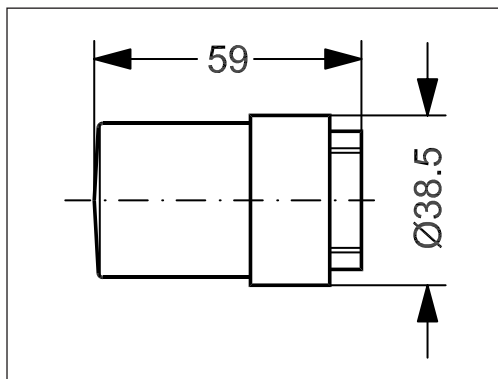


The knob snaps onto the valve eliminating the need for any mounting tool.



A 2 mm hexagonal screw ensures a stable attachment.

Dimensions



Danfoss can accept no responsibility for possible errors in catalogues, brochures and other printed material. Danfoss reserves the right to alter its products without notice. This also applies to products already on order provided that such alterations can be made without subsequential changes being necessary in specifications already agreed. All trademarks in this material are property of the respective companies. Danfoss and the Danfoss logotype are trademarks of Danfoss A/S. All rights reserved.