

GOODWE



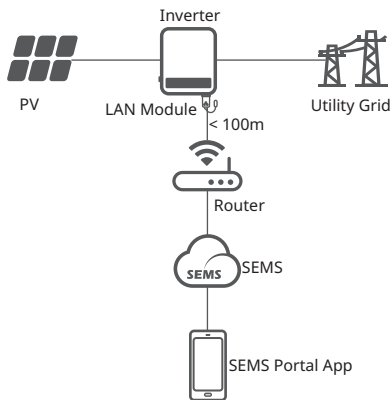
Quick Installation Guide

Communication module

(LAN Kit/LAN Box)

V1.0 -2022-01-25

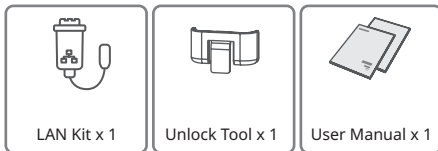
01 Wiring System



02 Installation

Packing List

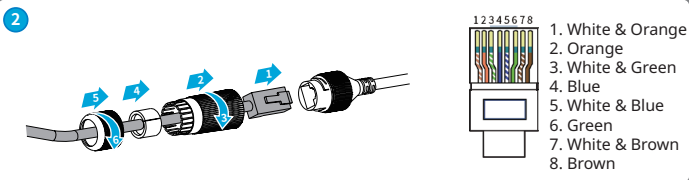
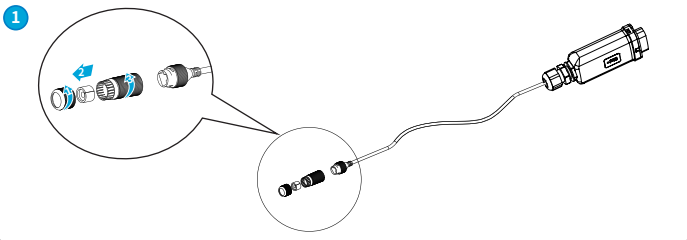
LAN Kit



LAN Box

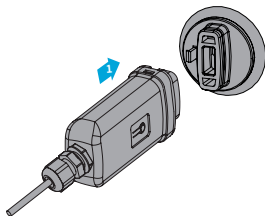
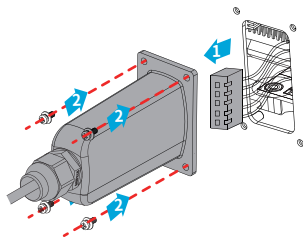


Installing the Module



3
LAN Box is applicable when the inverter communication port is a 5-pin port.

LAN Kit is applicable when the inverter communication port is a USB port.



03 Power On

Step 1 Make sure that the inverter is powered on.

Step 2 Make sure that the router or the switch is powered on.

04 Commissioning

Step 1 Connect the computer and the LAN module using a network cable.

Step 2 Enter 169.254.1.1 in the browser. User name: **admin**; password: **admin**. Set the parameters as shown below.

Advanced	Access point setting	
Management	Firmware version	V 1.0.14
Account	MAC address	F0FE6BBA21AE
	DHCP setting for STA	
	IPDHCP Mode	1 STATIC <input type="text"/>
	IP address	2 *** ** *
	Subnet address	*** ** *
	Gateway address	*** ** *
	DNS server address	*** ** *
	<p>★ Note: After changing the settings, the device must be restarted.</p>	
		3 Save

No.	Parameters	Description
1	IP DHCP Mode	<ul style="list-style-type: none"> Select DHCP when the router is in dynamic IP mode. Select STATIC when a switch is used or when the router is in static IP mode.
2	IP address	<ul style="list-style-type: none"> Do not configure the parameters when IP DHCP Mode is DHCP. Configure the parameters according to the router or switch information when IP DHCP Mode is STATIC.
	Subnet Mask address	
	Gateway address	
	DNS Server address	

Advanced

Management

Account

Saved Successfully!

Configurations will take effect after restart.

After restart, you will need to re-login the configuration interface for other settings, so it is recommended to restart after completing all settings.

Please click [Restart] to restart now, or click [Back] to continue setting.

You can restart after all configuration.

4 Restart Back

Step 3 Connect the LAN module to the router or the switch.

Notice

- Log in using the newly changed IP address if the LAN module IP has been changed.
- Log in using the default IP (169.254.1.1) if the LAN module has been reset.

05 Technical Parameters

Model	LAN Kit	LAN Box
Basic Parameter		
Input voltage (V)	5	
Power consumption (W)	1.5	
Dimension (L mm×W mm×D mm)	119 x 46 x 29	91.5 x 65 x 39.5
Operating temperature (°C)	-30 ~ 60	
Operating humidity	0 ~ 100% RH (non-condensing)	
Operating altitude	<4000m	
Ethernet Interface		
Port	RJ45	
Extension Cable	0.5m	
Protection class	IP65	
Software Parameter		
Configuration	App or Web	
Language	English	
Transmission rate	UART: 115200bps Ethernet: 100M	
Max. Network Cable Transmission Distance	100m	
Supporting device	Routers or Switches	
Certificate	CE / RoHS	

06 EU Declaration of Conformity

The module sold in the European market meets the following directives and requirements:

- Electromagnetic compatibility Directive 2014/30/EU (EMC)
- Restrictions of Hazardous Substances Directive 2011/65/EU and (EU) 2015/863 (RoHS)
- Waste Electrical and Electronic Equipment 2012/19/EU
- Registration, Evaluation, Authorization and Restriction of Chemicals (EC) No 1907/2006 (REACH)

You can download the EU Declaration of Conformity on <https://en.goodwe.com>.



Official Website

GoodWe Technologies Co., Ltd.

 No. 90 Zijin Rd., New District, Suzhou, 215011, China

 www.goodwe.com

 service@goodwe.com



340-00702-00

Local Contacts