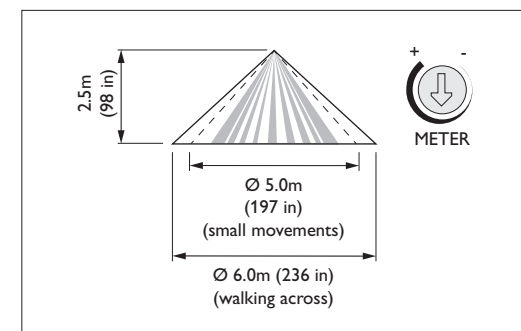
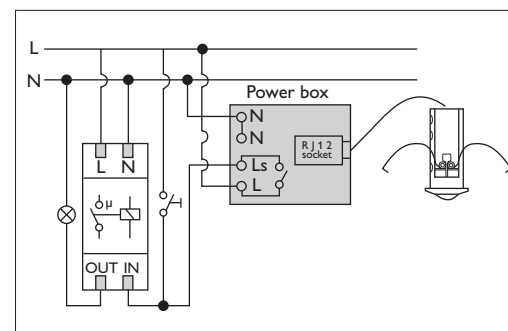
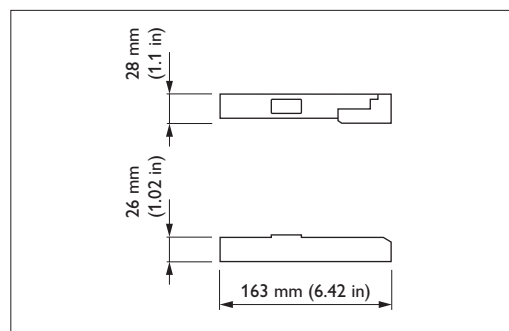
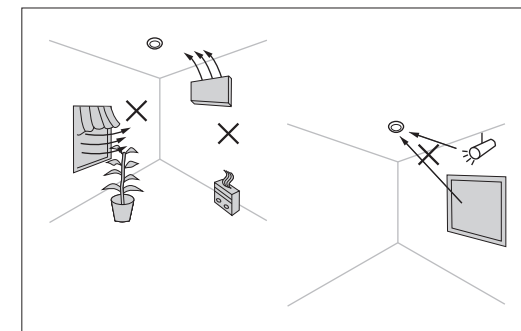
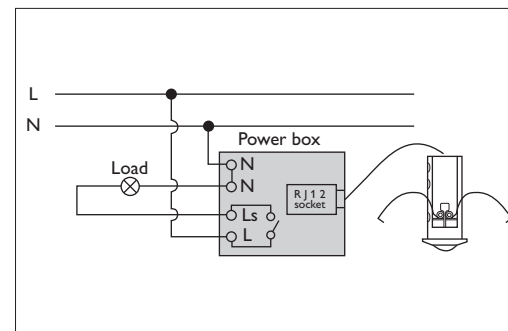
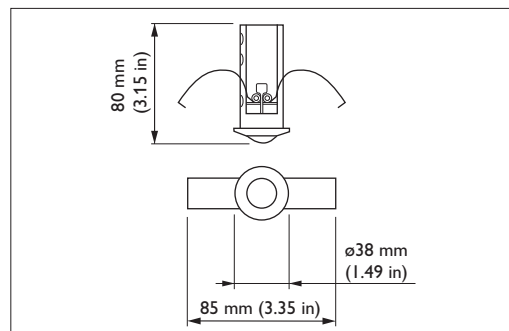


Quick start guide

Switch with presence detector
LRM1011



PHILIPS



Technical data

| | |
|--------------------------|---------------------------------|
| Rated Voltage | 230V~50Hz |
| Load: | |
| LED Lamp | 500VA / 400W |
| Incandescent lamp | Max. 2000W |
| Halogen lamp | Max. 1000W |
| Low volt. halogen lamp | Max. 1000 VA |
| Fluorescent lamp | 900VA / 100µF |
| Operating Temp. | 0°C to +45°C |
| Environmental Protection | |
| Protection | Detector IP40 Power box IP20 |

