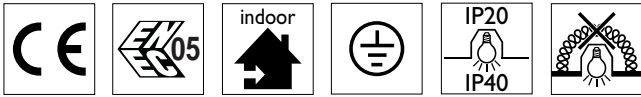
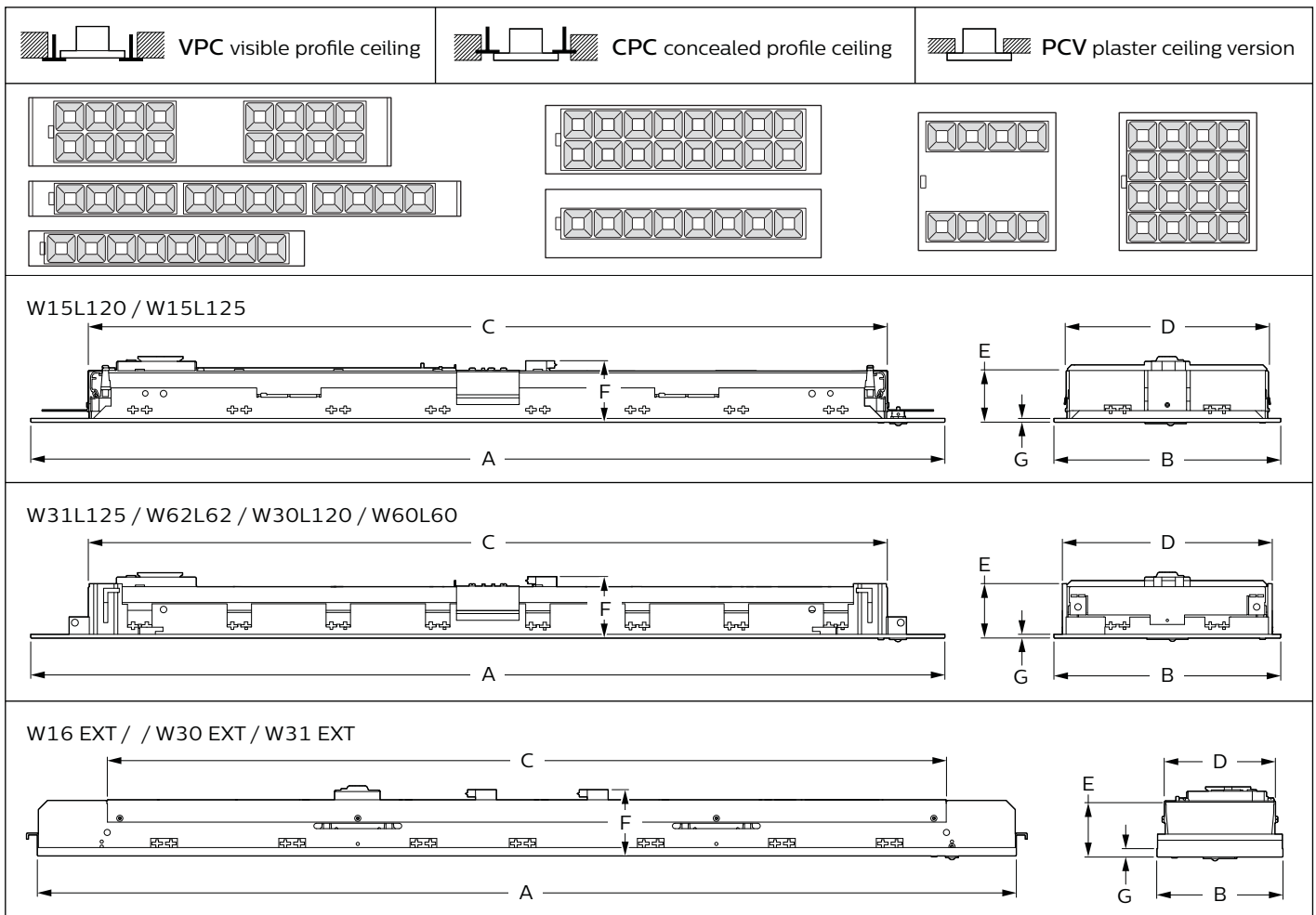


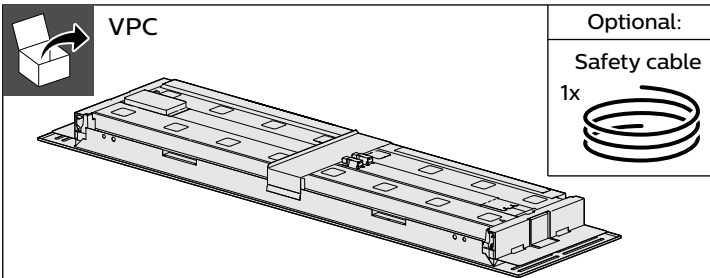
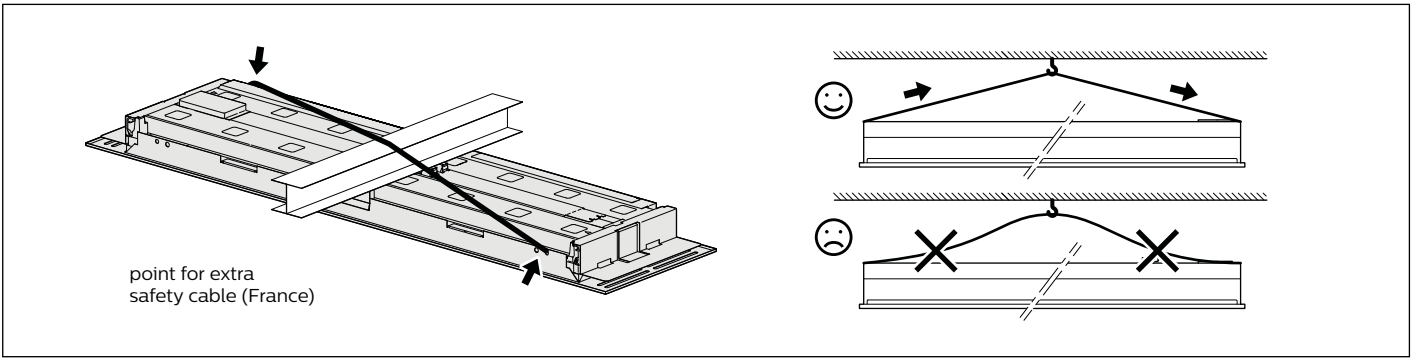
PHILIPS PowerBalance RC360B/362B/415B/416B/461B/463B/468B



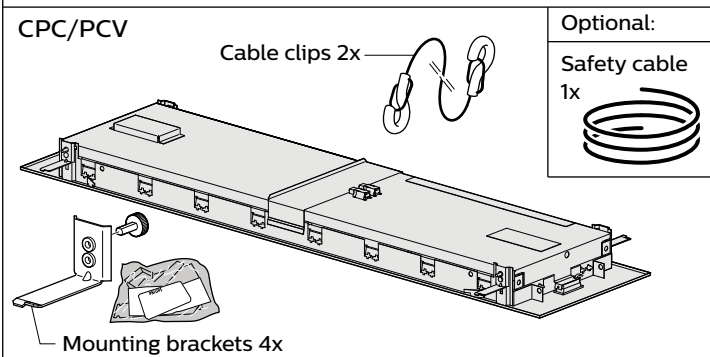
				Dimensions in mm							
Module	A	B	C	D	E	F	G				
RC360B 600	VPC	W60L60	597	597	524	524	67	86	10	6,0	
		W30L120	1197	297	1172	135	77	95	10	5,0	
RC362B 625	VPC	W62L62	622	622	524	524	67	86	10	6,0	
		W31L125	1247	310	1172	135	77	95	10	6,0	
RC461B 600	VPC CPC PCV	W60/L60	597	597	524	524	67	86	5	5,7	
RC463B 625	VPC CPC	W62/L62	622	622	524	524	67	86	5	5,9	
RC468B 675	VPC	W67/L67	672	672	524	524	67	86	5	6,4	
RC461B 600	VPC CPC PCV	W30L120	1197	297	1047	264	67	79	5	5,3	
RC463B 625	VPC CPC	W31L125	1247	310	1047	264	67	79	5	5,7	
RC415B 148 (s.m.*)	VPC	W15L120	1197	148	1172	135	77	95	5	4,8	
RC415B 148 (s.m.*)	VPC	W15L125	1247	148	1172	135	77	95	5	5,1	
RC416B 165 EXT. (s.m.*)	BCV	W16L ext	1698-1850	165	1662	146	74	92	11	7,9	
RC461B 600 EXT.	BCV	W30L ext	1495-1850	297	1360	278	74	92	11	10,7	
RC463B 625 EXT.	BCV	W31L ext	1495-1850	310	1360	278	74	92	11	11,3	

* Semi modular





Optional:
Safety cable
1x

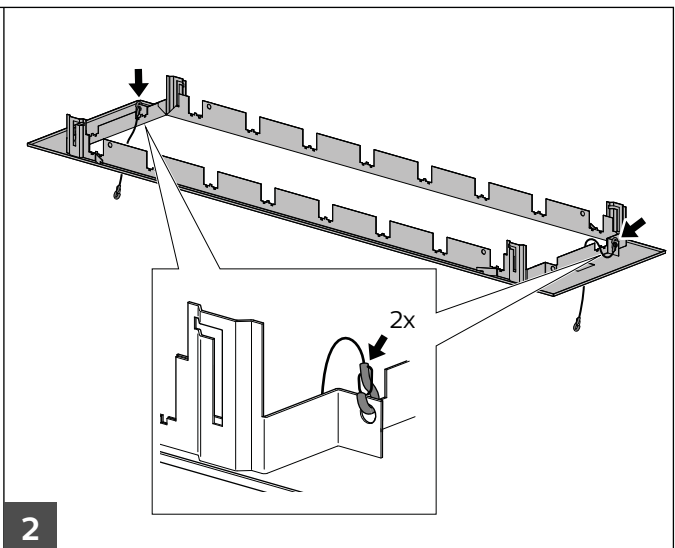
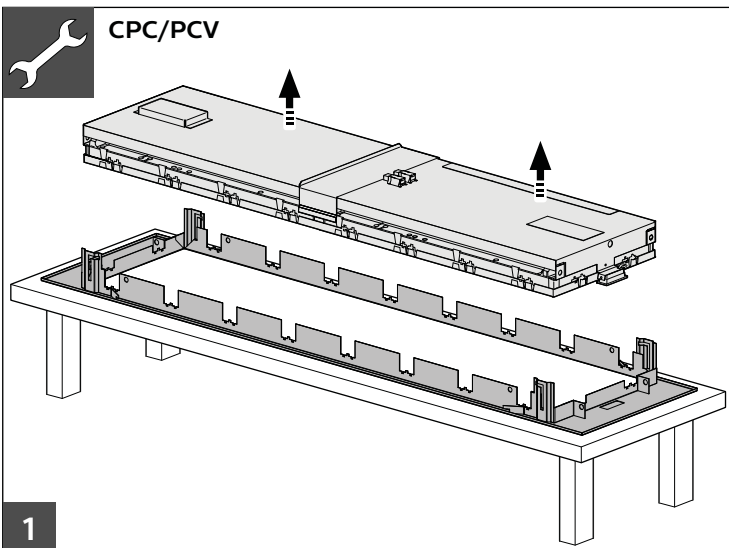
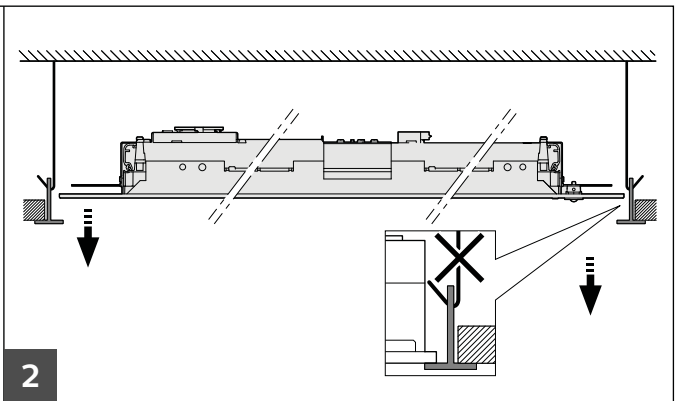
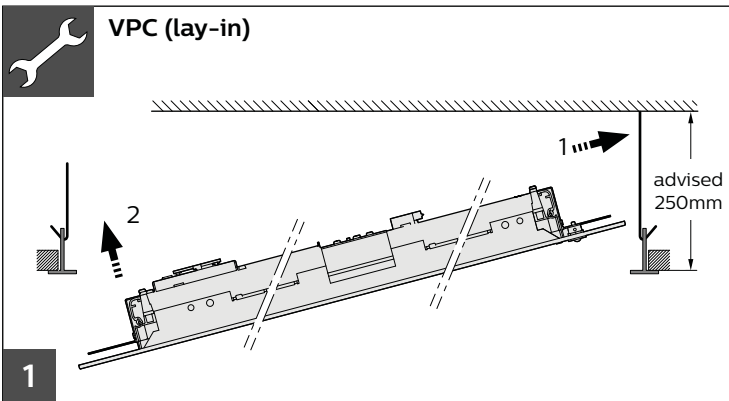


ACL versions only

	HV Xitanium	
	36W	75W
Electrical characteristics		
I _{max} (A)	21	5
T _{ref} (μs)	255	1000
EL I max	0,7	0,7
Luminaires Max.		
MCB (16A-B)	20	20
EL CB 30 mA	30	30

(EL = Earth leakage)

Inrush current




sym-concealed



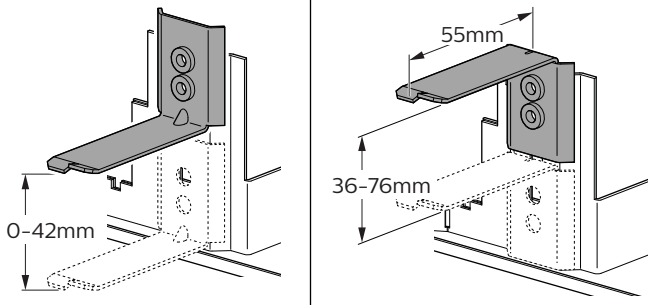
Rect. ✓ 😊
 Square ✓ 😊

Click-in Profile Rect. ✗ 😞
 Square ✓ 😊

A-sym-concealed



Rect. ✗ 😞
 Square ✓ 😊

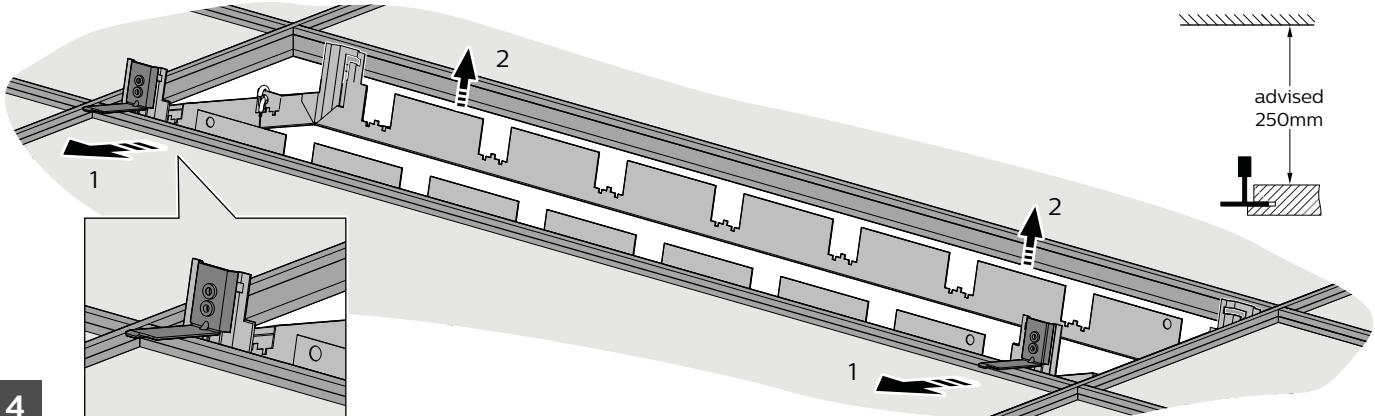


0-42mm

55mm

36-76mm

3



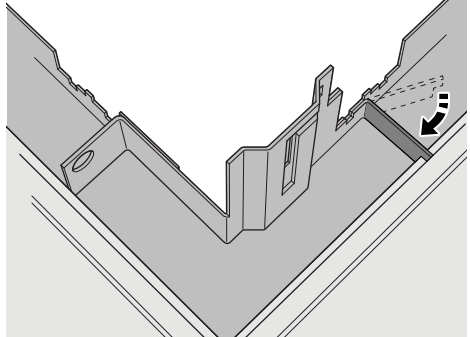
1

2

advised 250mm

4

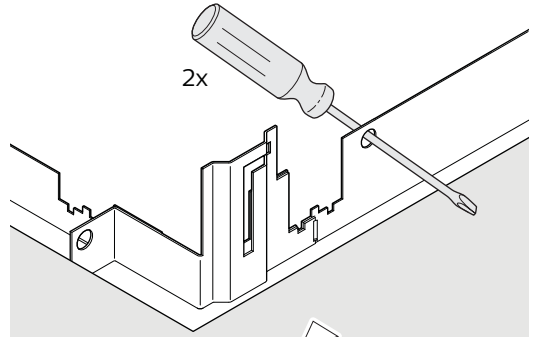
CPC



2x

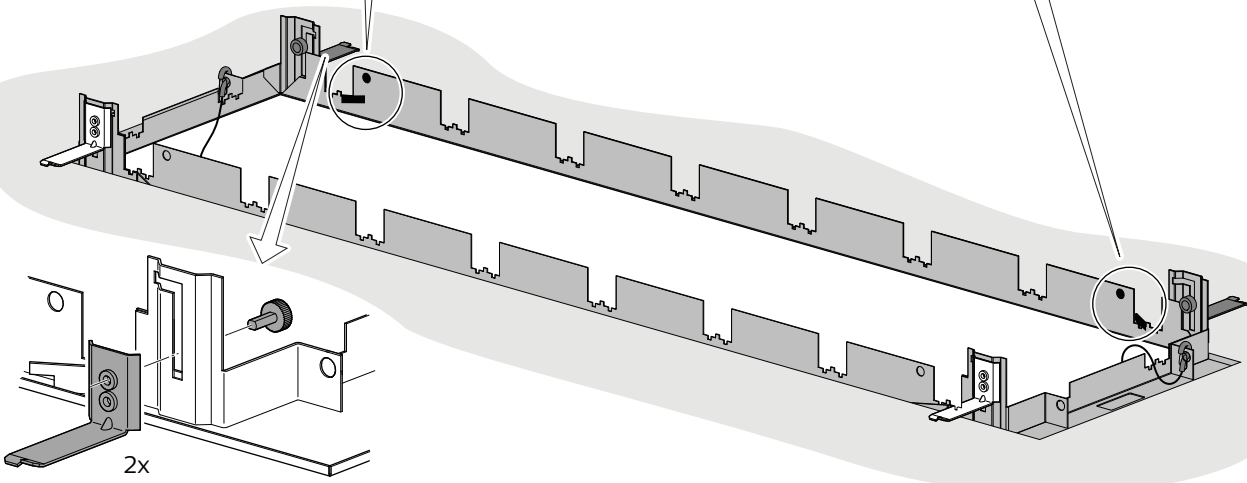
5a

PCV



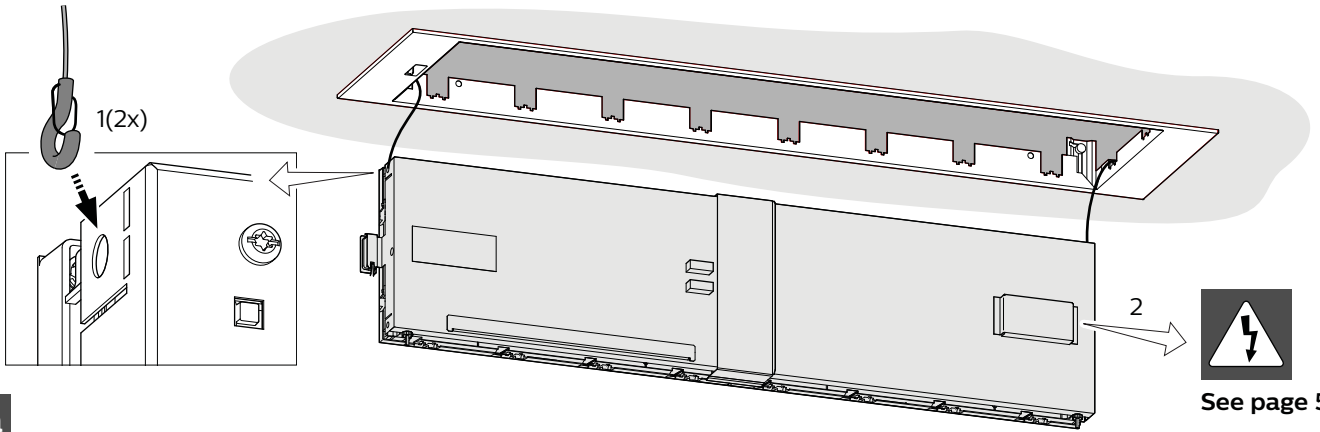
2x

5b

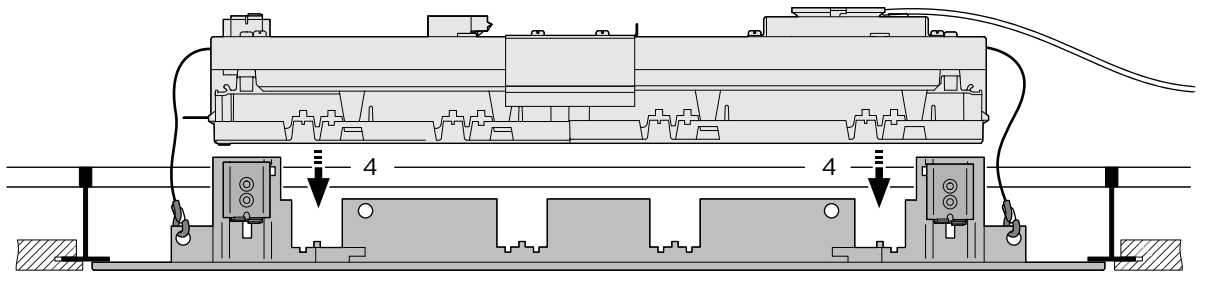
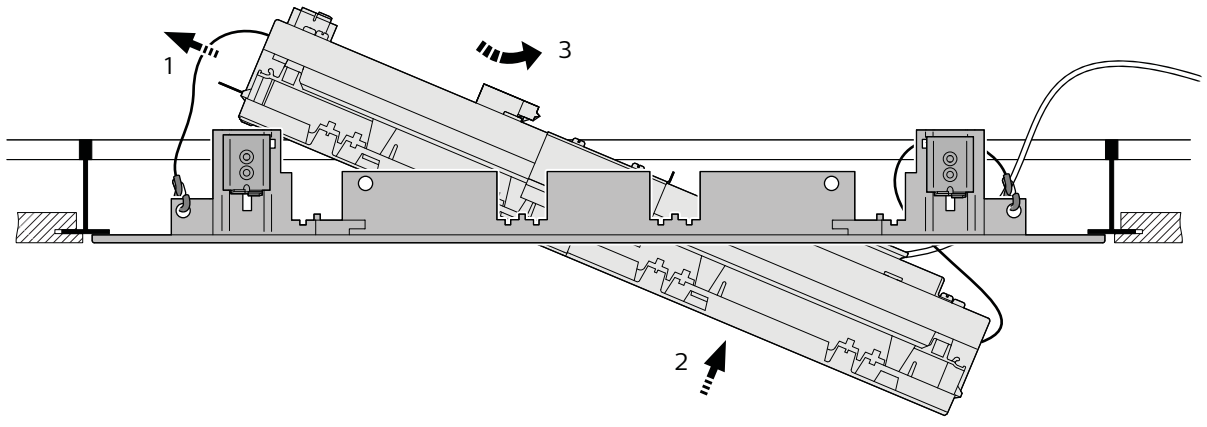


2x

6

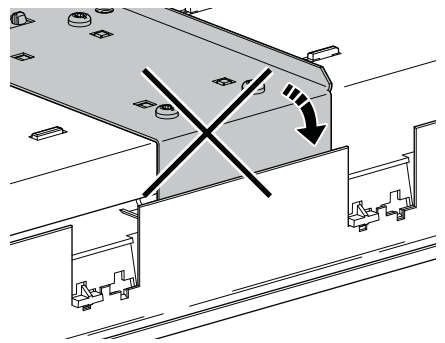
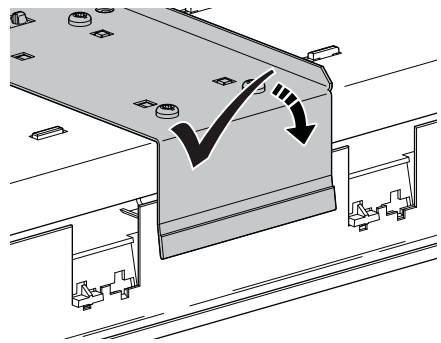


7a

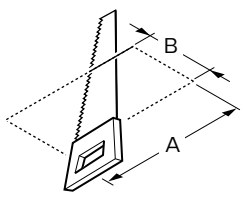


7b

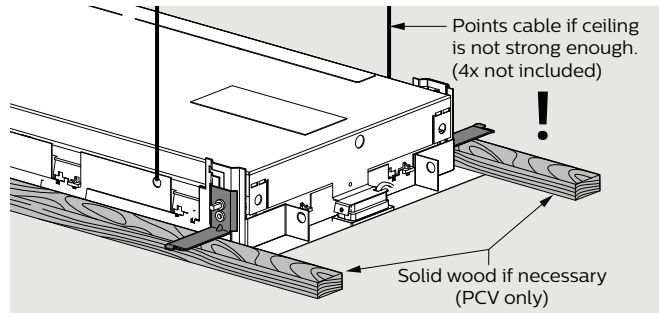
PCV rect. concealed



PCV



Module	A(mm)	B(mm)
RC461B 600 W30L120	1105	282
RC461B 600 W60L60	582	582



See step: 1-7 of CPC/PCV



Push-in (PIP)

<p>1</p>	<p>2</p>	<p>3</p>	<p>PSU</p> <p>min. 3x0.5mm² max. 3x2.5mm²</p> <p>min. 7 max. 10</p> <p>min. Ø9 max. Ø13</p>
<p>PSU</p>	<p>PSD</p>	<p>PSD-ACL</p>	<p>PSD-T</p>
<p>PSD-T+ACL</p>		<p>PSD-EL</p>	<p>PSU-EL</p>
<p>5</p>	<p>6</p>		

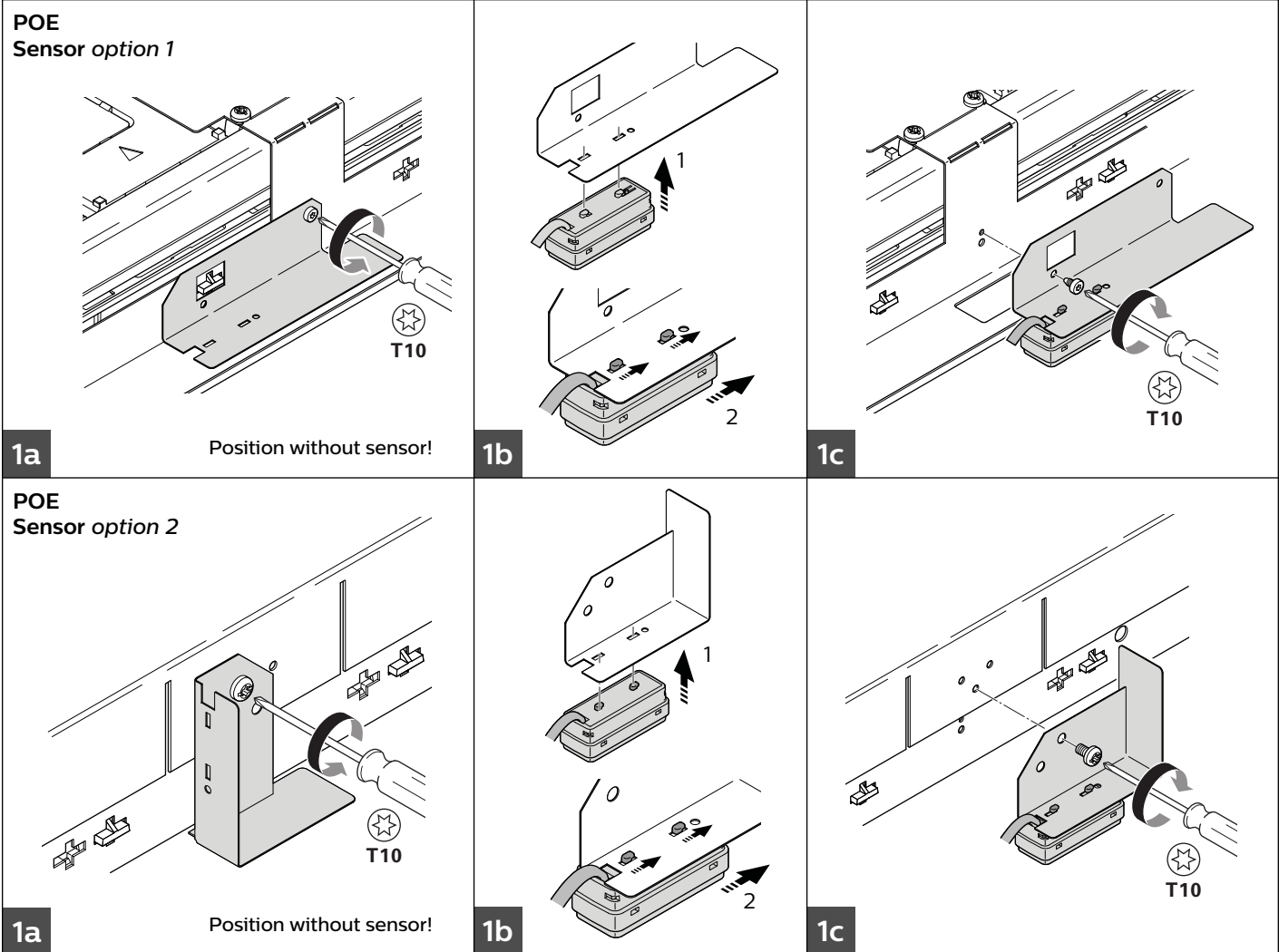
Wieland (W)

<p>PSU</p>	<p>PSD</p>	<p>PSD+ACL</p>
<p>PSD-T</p>	<p>PSD-EL</p>	<p>PSU-EL</p>

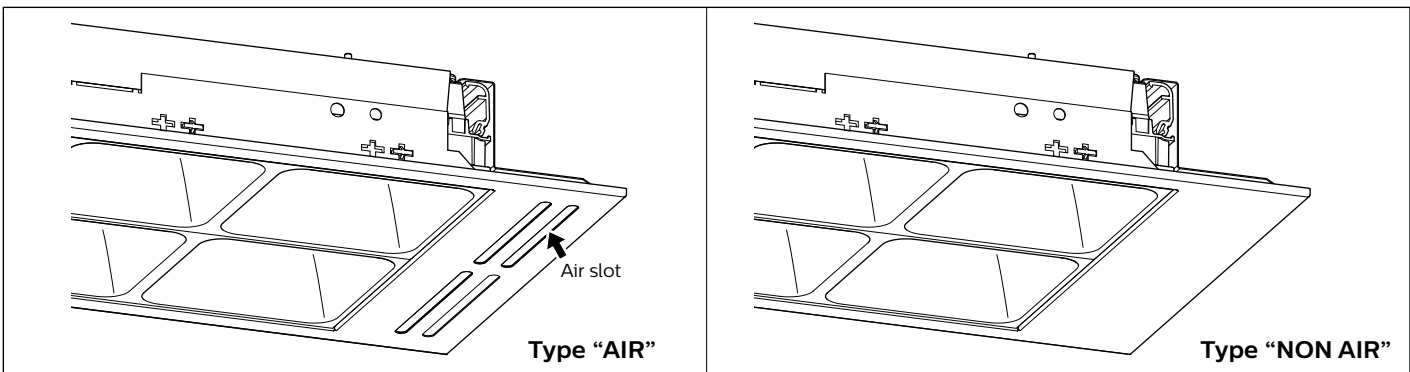
POE

Condition Philips to specify to the customers (instruction):
 > to use UTP (Unshielded Twisted Pair) CAT5E or CAT6 cable
 > the maximum length of the cable to be 20 meters.
 Apply a minimum radius of the Ethernet cable of 4x the cable diameter.

<p>1a</p>	<p>1b</p>
------------------	------------------



For use in ventilated space (EN/IEC 60598-2-19)




!

- The luminaire shall be installed by a qualified electrician and wired in accordance with the latest IEE electrical regulations or the national requirements.
- Please do not remove the protect film before installing to avoid scraping or dirtying the optical part.
- Indoor use only.
- During installation or maintaining the luminaire please use gloves to avoid spots on the cover.

To remove dirt and spots use the following:

- Dust: use micro fiber cloths only
- Fingerprints, etc.: use a cleaner for synthetic materials with antistatic properties.



ATTENTION
OBSERVE PRECAUTIONS
FOR HANDLING
ELECTROSTATIC
SENSITIVE
DEVICES

"This includes the general mounting instructions incl. notes and legend icons. You can find it on www.philips.com/lighting"