
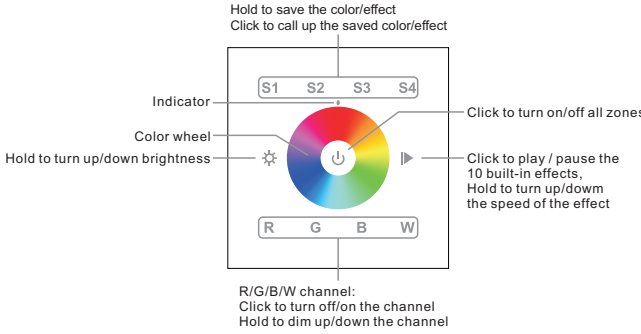
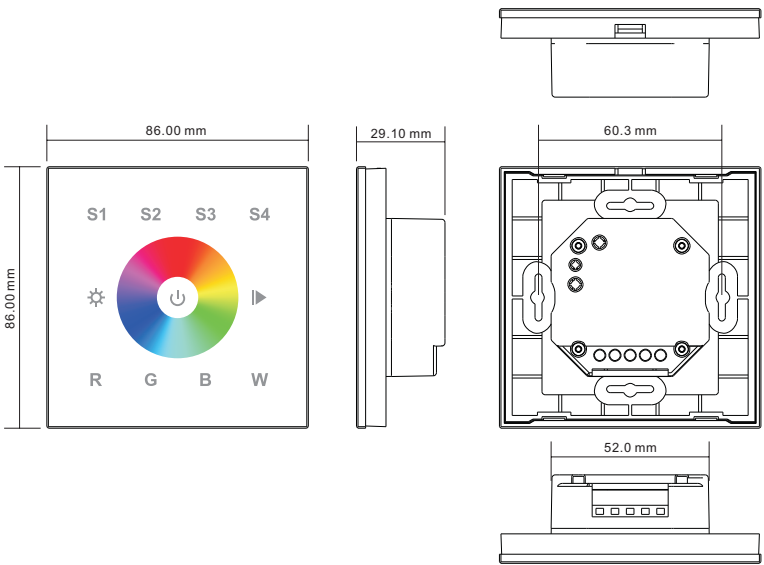


- Touch sensitive
- Glass interface(white & black)
- Compatible with all universal series RF receivers

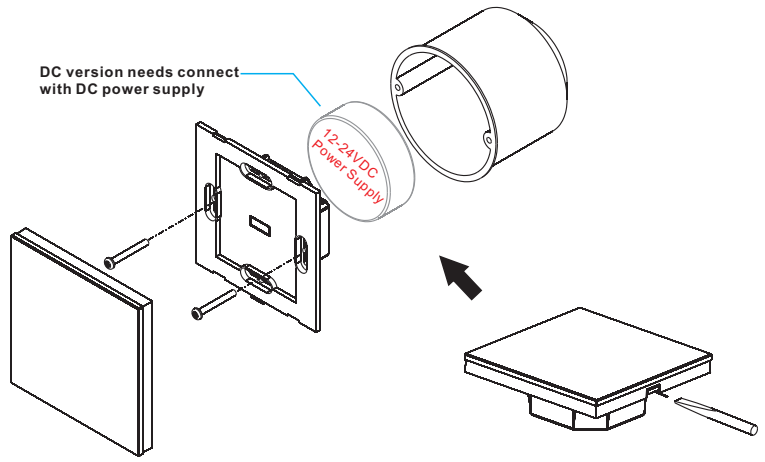
- Control 1 zone/area

Picture		Brief introduction of buttons	
		 <p>Hold to save the color/effect Click to call up the saved color/effect</p> <p>Indicator: S1 S2 S3 S4</p> <p>Click to turn on/off all zones</p> <p>Color wheel</p> <p>Click to play / pause the 10 built-in effects, Hold to turn up/down the speed of the effect</p> <p>Hold to turn up/down brightness</p> <p>R/G/B/W channel: Click to turn off/on the channel Hold to dim up/down the channel</p>	
Operation Voltage	Operation Frequency	<p><b>Note : This remote controls 1 zone (area) receivers, the zone can pair with countless receivers. 1 receiver can be paired by max 8 different remote controls.</b></p>	
12-24V DC/ 100-240V AC	868MHz		

**Size**

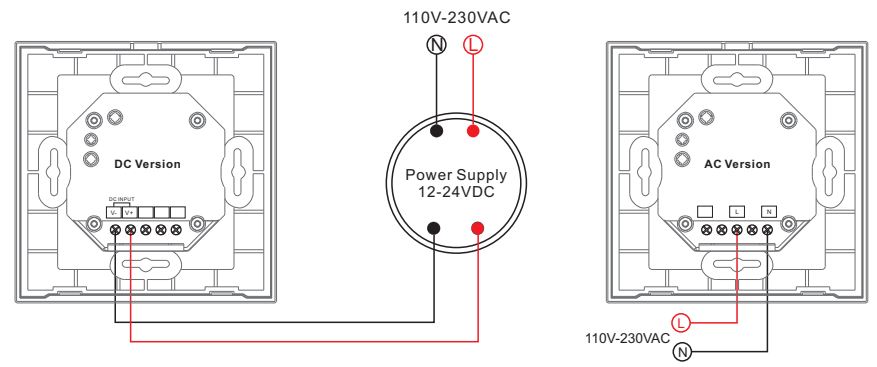


### Installation



DC version needs connect with DC power supply

### Wiring diagram



110V-230VAC

DC Version

Power Supply 12-24VDC

AC Version

110V-230VAC

### Operation

- Pair with RF receivers:**
  - Click to Turn on RF remote
  - Click "Learning Key" on RF receiver
  - touch color wheel on RF remote, led lights flicker twice means well paired
- Play the remote after pairing:**
  - Turn on RF remote
  - touch color wheel or other buttons to do the controlling.
- Save color/scene/mode:**
  - Turn on RF remote
  - Select a color or mode
  - Hold S1/S2/S3/S4 until light flash twice
- Call up the saved:**
  - Turn on RF remote
  - Click save button: S1/S2/S3/S4
- How to delete the pairing:**

Power on the RF receiver, hold the "Learning Key" over 3 seconds until connected led lights flicker twice means well deleted.