
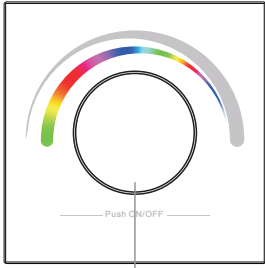
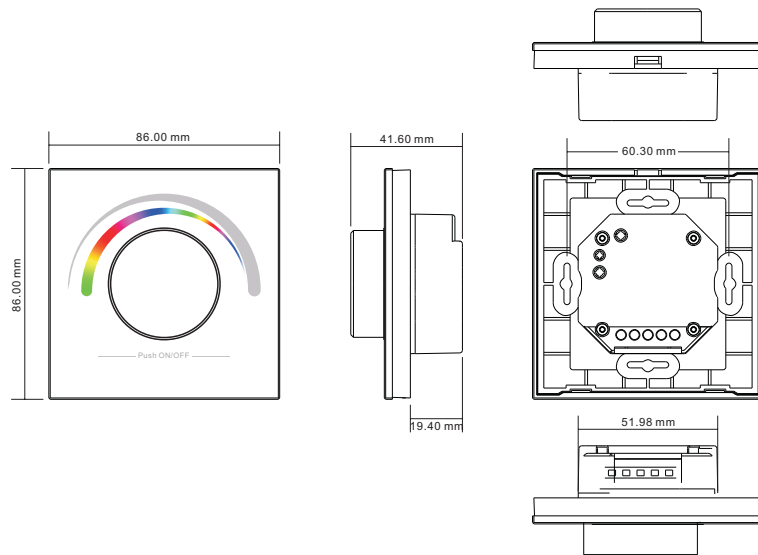


- Rotation sensitive
- Glass interface(white & black)
- Compatible with all universal series RF receivers

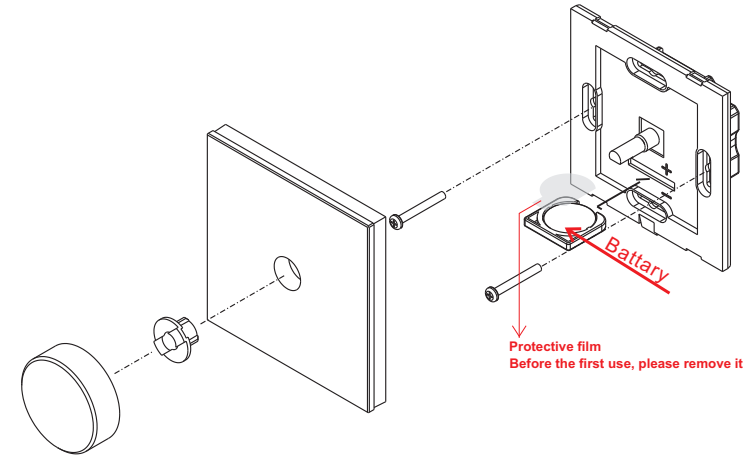
- Control 1 zone/area

Picture		Brief introduction of buttons
		 <p>Click the knob to switch ON/OFF, hold the knob to turn 100% brightness. Rotate the knob to dim between 1% to 100%. Double click the knob to switch RGB control or brightness control.</p>
Operation Voltage	Operation Frequency	<p>Note : This remote controls 1 zone (area) receivers, the zone can pair with countless receivers. 1 receiver can be paired by max 8 different remote controls.</p>
3V(CR2032)	868MHz	

Size



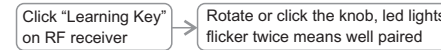
Installation



Operation

Note: Before the first use, please remove the protective film on the battery.

1. Pair with RF receivers:



2. How to delete the pairing:

Power on the RF receiver, hold the "Learning Key" over 3 seconds until connected led lights flicker twice means well deleted.