

# Tema Buen

Design: Niels Enevold



**Tema Buen** is a wall fitting in galvanised steel. Galvanised products are strong and maintenance free. They are shiny at first, but gain patina quickly, resulting in a matt and darker surface.

Tema Buen is available with LED or E27 lamp types. Two LED types are available: downwards only or up/downwards - see specification below.

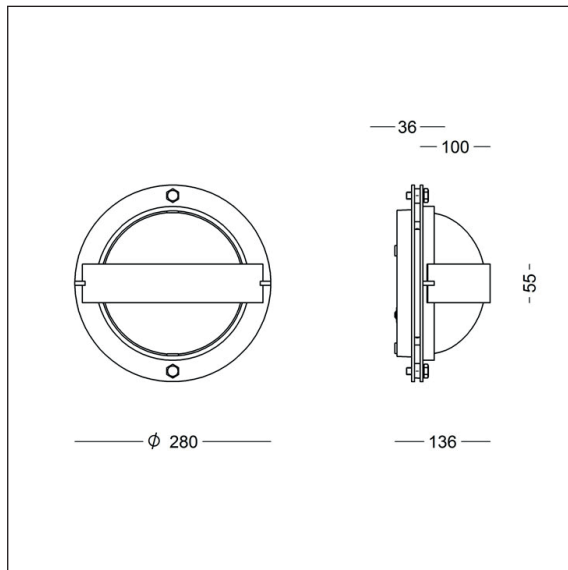
The shade in UV and impact-resistant polycarbonate comes in clear or opal-white. The clear shade can be equipped with top cover in order to avoid discomfort glare and visibility of the light source.



**FOCUS-LIGHTING**

# Tema Buen - LED

Design: Niels Enevold



## Luminaire specification:

|                    |   |
|--------------------|---|
| Material:          | Hot-dipped galvanised steel   |
| Wall box:          | Cast aluminium  |
| Shade:             | Clear or opal white polycarbonate, option for top cover                       |
| Connection:        | max 2 cables, 2.5 mm <sup>2</sup> , into 5 x 6 mm <sup>2</sup> terminal block |
| Classification:    | IP66, class I or II   |
| Impact resistance: | IK10  |
| Corrosion class:   | C4  |
| Weight:            | ca 5 kg   |

## LED and driver specification:

|                     |   |
|---------------------|---|
| LED type:           | 1 x Bridgelux V8, downwards<br>Only little light upwards;<br>upper half of shade can be closed by top cover |
| Total consumption:  | 9 or 12 W (350 or 500 mA)   |
| Operational life:   | min 100,000 hours at ta max 25°C, L80B10  |
| Colour temperature: | 2700, 3000, or 4000 Kelvin  |
| Colour rendering:   | min 90 Ra   |
| Colour accuracy:    | 3 Steps SDCM  |
| Output ratio:       | 80% (clear shade)   |
| Driver:             | Helvar LED driver, 350 or 500 mA<br>Option for dimmable driver  |
| Operational life:   | min 50,000 hours  |

## LED and driver specification:

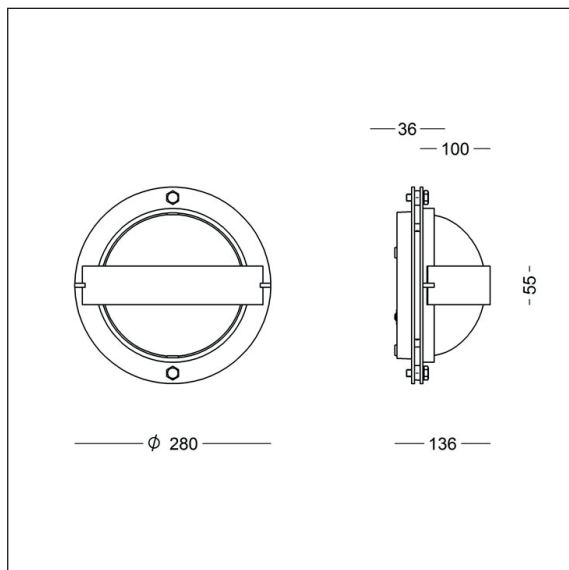
|                     |  |
|---------------------|--|
| LED type:           | 2 x Bridgelux V8, up and downwards<br>Uniform light up and down;<br>opal-white shade recommended |
| Total consumption:  | 15 or 21 W (350 or 500 mA)   |
| Operational life:   | min 100,000 hours at ta max 25°C, L80B10   |
| Colour temperature: | 2700, 3000, or 4000 Kelvin   |
| Colour rendering:   | min 90 Ra  |
| Colour accuracy:    | 3 Steps SDCM   |
| Output ratio:       | 48% (opal-white shade)   |
| Driver:             | Helvar LED driver, 350 mA<br>Option for dimmable driver  |
| Operational life:   | min 50,000 hours   |

## Product codes:

| Tema Buen LED   |   |                    |          |                |       |                  |  |  |  |
|---|---|--------------------|----------|----------------|-------|------------------|--|--|--|
| Item Nos.   | Lamp type   |                    |          |                |       |                  |  |  |  |
| 6870-   | 1 x Bridgelux V8, 9 W, 350 mA   |                    |          |                |       |                  |  |  |  |
| 6871-   | 1 x Bridgelux V8, 12 W, 500 mA  |                    |          |                |       |                  |  |  |  |
| 6875-   | 2 x Bridgelux V8, 15 W, 350 mA  |                    |          |                |       |                  |  |  |  |
| 6876-   | 2 x Bridgelux V8, 21 W, 500 mA  |                    |          |                |       |                  |  |  |  |
| Select colour, colour temperature, etc. in the table below. |   |                    |          |                |       |                  |  |  |  |
| Combine with:   | Colour  | Colour temperature | Dimming  | Classification | Shade |                  |  |  |  |
|   | 9 galvanised  | 927 2700 K, 90 Ra  | V 1-10 V | empty class I  | empty | clear shade      |  |  |  |
|   |   | 930 3000 K, 90 Ra  | D Dali   | K class II     | H     | top cover        |  |  |  |
|   |   | 940 4000 K, 90 Ra  |          |                | O     | opal-white shade |  |  |  |
| Example Order code  | 6870-9930H = Tema Buen, galvanised, 9 W LED, 3000 K 90 Ra, clear shade with top cover |                    |          |                |       |                  |  |  |  |

# Tema Buen - E27

Design: Niels Enevold



## Luminaire specification:

|                    |  |
|--------------------|--|
| Material:          | Hot-dipped galvanised steel  |
| Wall box:          | Cast aluminium   |
| Shade:             | Clear or opal-white polycarbonate,<br>option for top cover                       |
| Connection:        | max 2 cables, 2.5 mm <sup>2</sup> , into 5 x 6 mm <sup>2</sup><br>terminal block |
| Classification:    | IP66, class I or II  |
| Impact resistance: | IK10   |
| Corrosion class:   | C4   |
| Weight:            | ca 5 kg  |

## Tema Buen E27

Lamp type: max 57 W, max L/Ø: 116/60 mm

## Product codes:

|                            |  |              |                  |
|----------------------------|--|--------------|------------------|
| <b>Tema Buen</b>           |  |              |                  |
| <b>Item Nos.</b>           | <b>Lamp type</b>   |              |                  |
| 6071-                      | E27, max 57 W, max length 116 mm, max diameter 60 mm             |              |                  |
|                            | Select colour in the table below.                                |              |                  |
| <b>Combine with:</b>       | <b>Colour</b>  | <b>Shade</b> |                  |
|                            | 9 galvanised   | empty        | clear shade      |
|                            |  | H            | top cover        |
|                            |  | 0            | opal-white shade |
| <b>Example Order code:</b> | 6071-9H = Tema Buen, galvanised, E27, clear shade with top cover |              |                  |