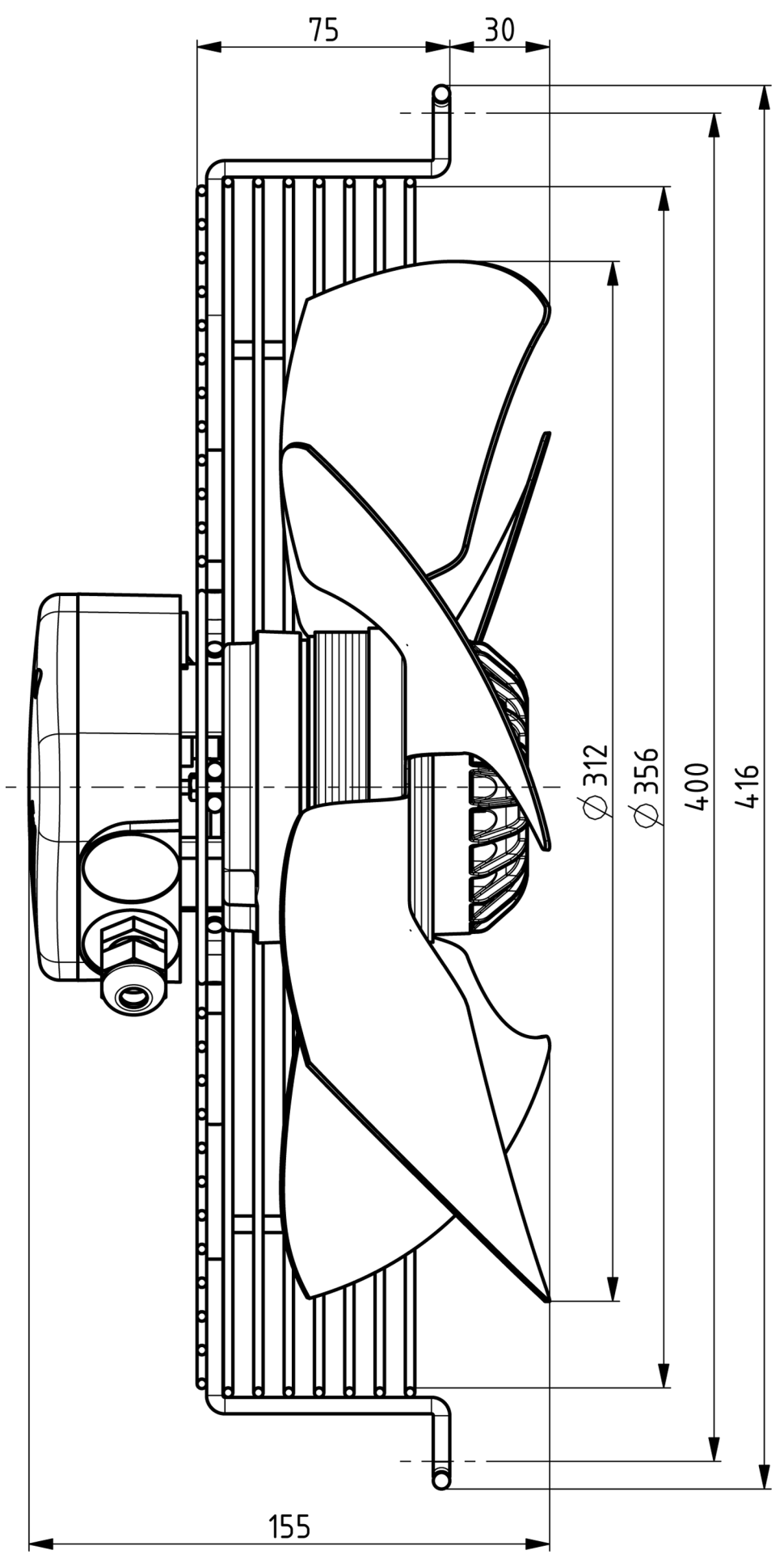


AIRFLOW  
DIRECTION

←



→

