

LIFAair[®]
RESPONSIBLE FOR EVERY BREATH



<https://lifa-air.com/products/lah302>

LIFAair[®]

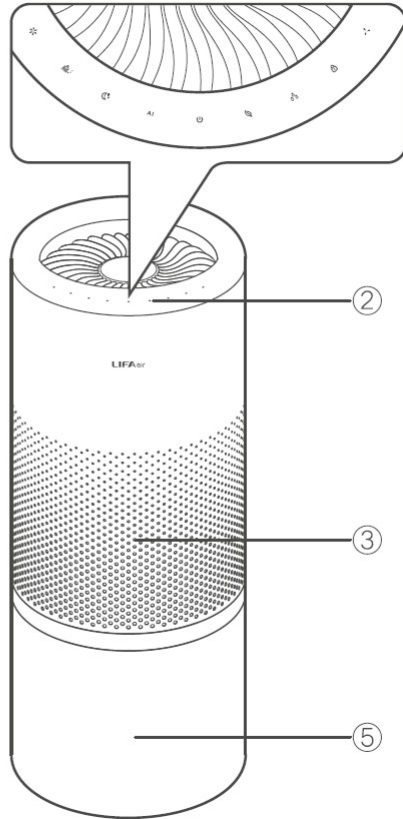
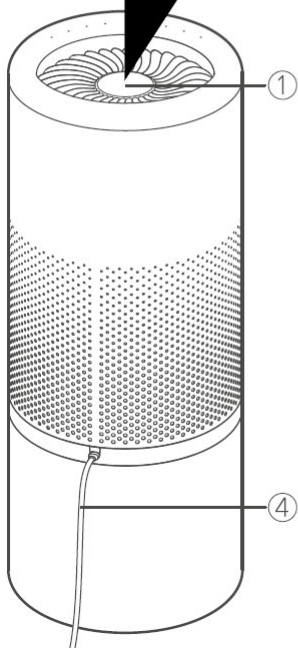
www.lifa-air.com



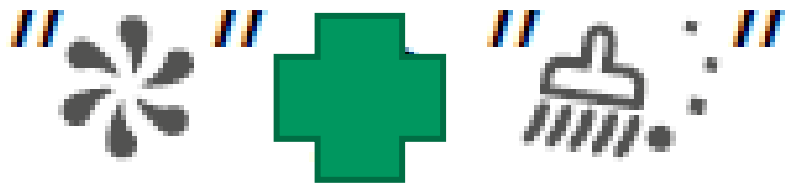
LIFAair®

www.lifa-air.com

20



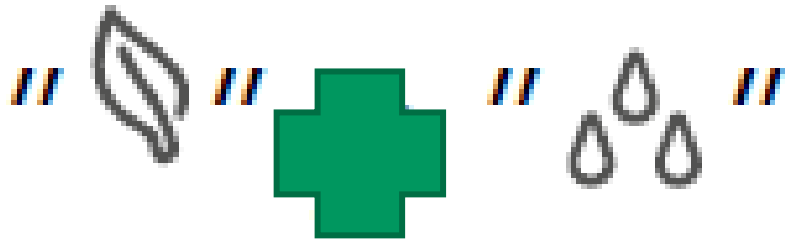
1. Water fill
2. Touch pad (ring)
3. Air inflow
4. Power cord
5. Water barrel



Filter lifespan



Reset filter lifespan



Check air purifier details



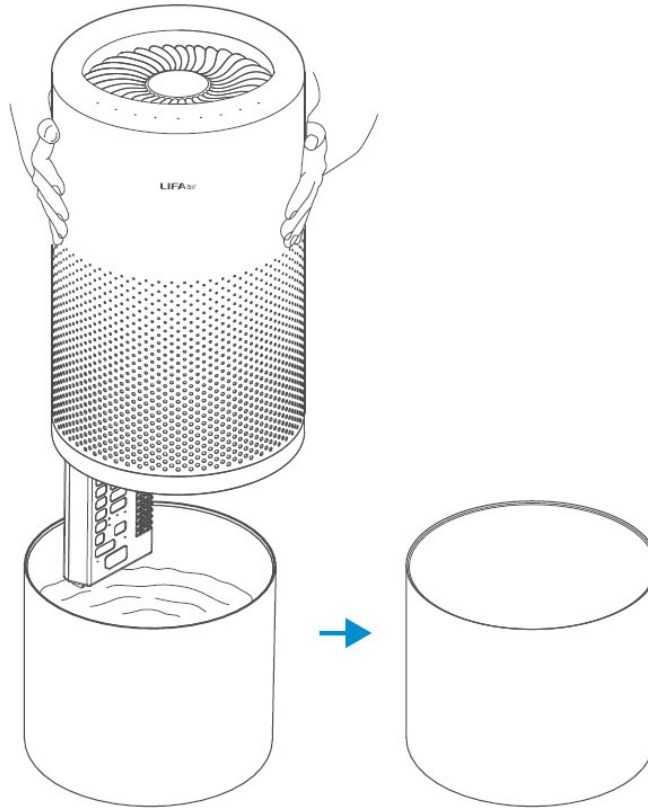
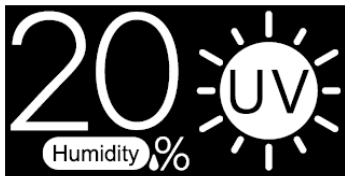
Connect to WiFi

Specifications

SensHumidification capacity	600mL/h (Night Mode) 1000 mL/h maximum humidification
Sterilization rate	99.5% (E.coli) 99.2% (Staphylococcus aureus)
Humidification effectiveness	2.2 mL/ (h.W)
CADR for particles	180m ² /h
Modes Selection	Night mode, Smart/Manual mode, Energy-saving mode, Humidifier mode
Water tank capacity	6.5L
Sound Pressure Levels	27.5dB(A) ~ 48dB (A)
Power input	220V-50H
Power consumption	450W/ 50W (Energy-saving mode)
Material used	ABS (water tank), Paper (wet curtain cooling system) Carbon steel (body)
Main unit (Diameter x H)	250 x 640 mm
Packing size (LxWxH)	735x315x317 mm
Net weight	6.9kg
Gross Weight	8.8kg



Barrel 6.5 L



Water Route Cleaning 1%



Water Route Cleaning 99%



Water Route Cleaning Done
Please Change Water

Function Description

① Photosensitive sensor/water pouring reaction/display screen

② Touch control circle/buttons

↻ Fan speed up: press to increase by level
press and hold to increase continuously

☼ Cleaning mode:
press and hold to start cleaning mode

🌙 Night mode: press and hold to enable/exit night mode

⌚ Smart/manual mode: press and hold to switch between
smart mode and manual mode

⏻ Power on/standby/wick filter air-drying mode:
press and hold: power on - wick filter air-drying mode -
standby (if water level is too low, the wick
filter air-drying mode does not function)

🔋 Energy-saving mode:
press and hold to enable/exit energy-saving mode

💧 Humidifying mode: press and hold to enable/exit humidifying
mode (target humidity: 60%);
target humidity is 50% when the "△" icon is not displayed.

🔒 Child lock switch: press and hold to enable/exit child lock
mode

↻ Fan speed down: press to decrease by level
press and hold to decrease continuously

③ Air inlet

④ Power cable

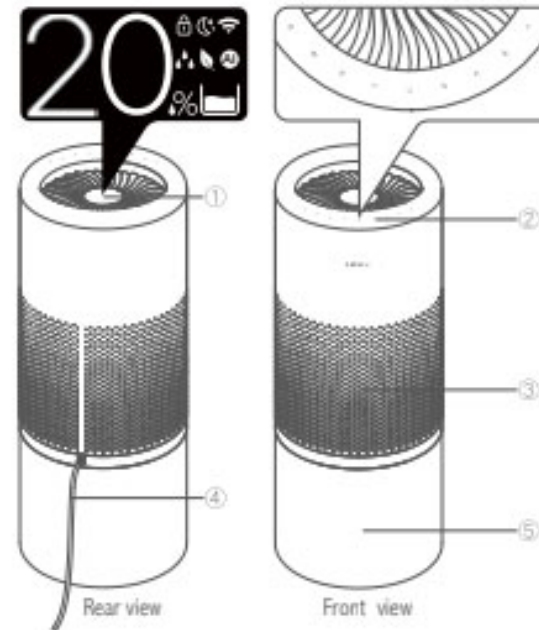
⑤ Water barrel

Press and hold the "↻" "☼" buttons simultaneously: check filter lifespan

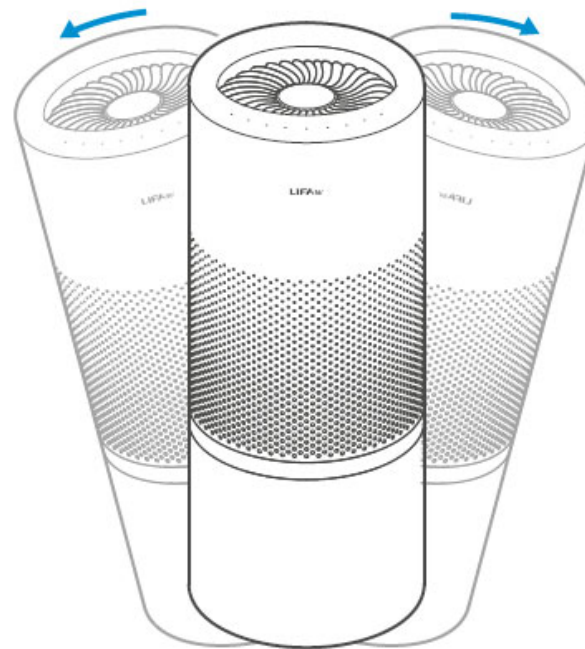
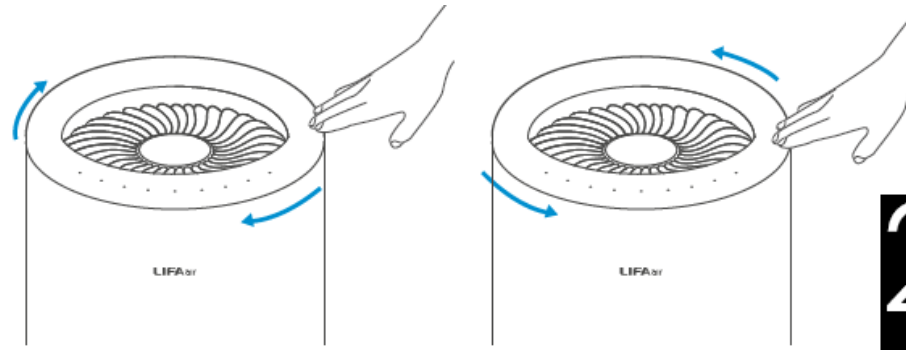
Press and hold the "🌙" "⌚" buttons simultaneously: reset filter lifespan

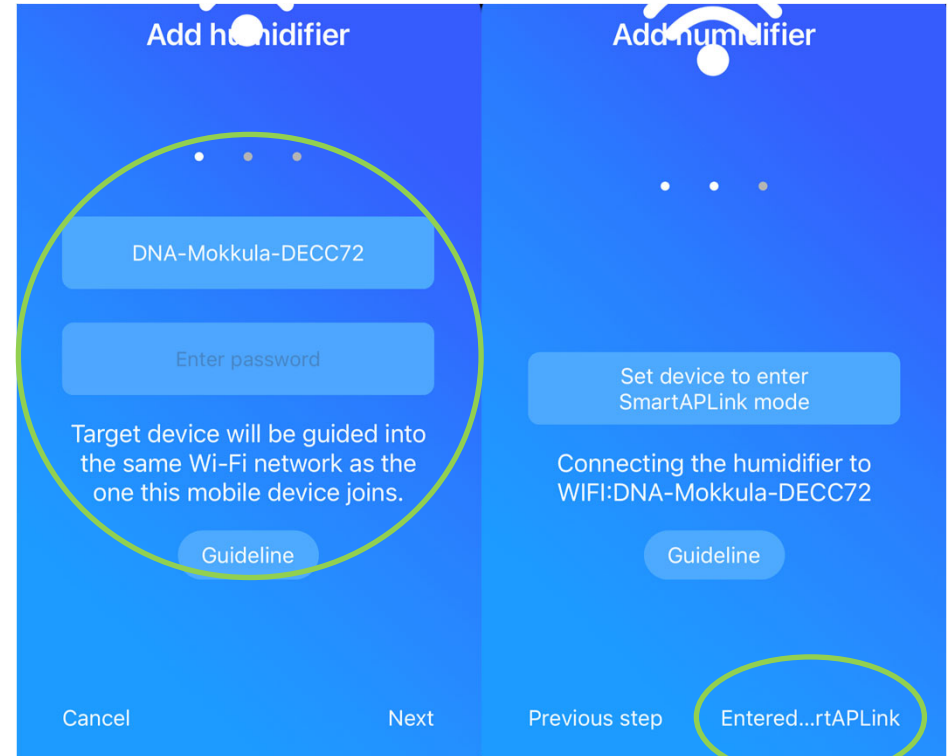
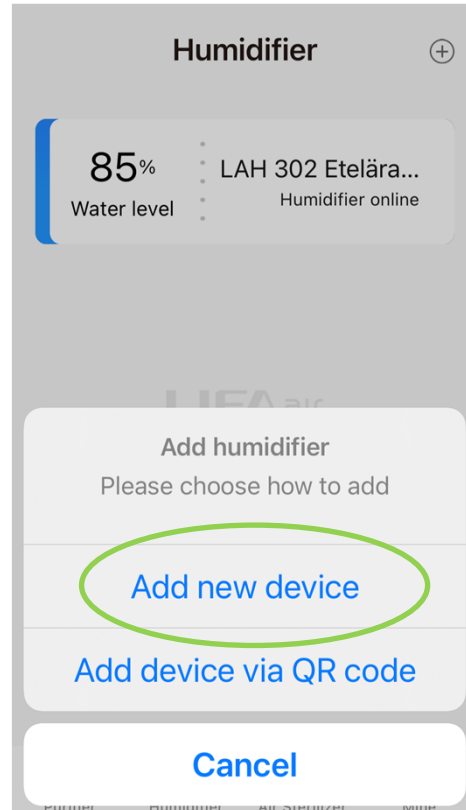
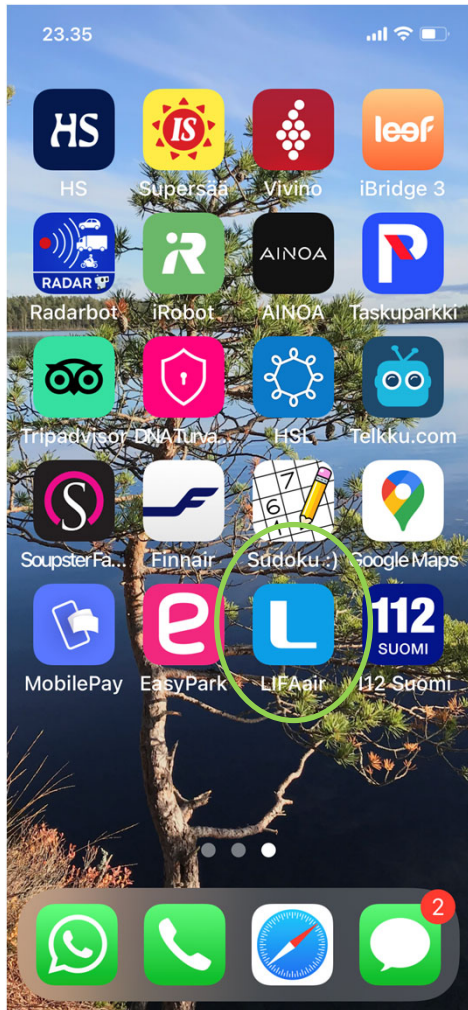
Press and hold the "🔋" "💧" buttons simultaneously: check device information

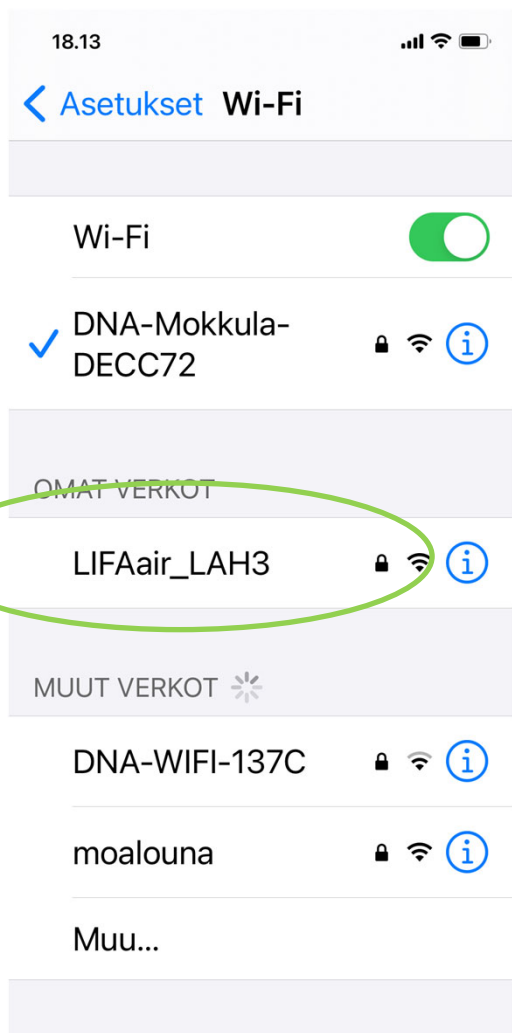
Press and hold the "🔒" "↻" buttons simultaneously: enter Wi-Fi network connection



Note: Do not block the intake and exhaust opening.

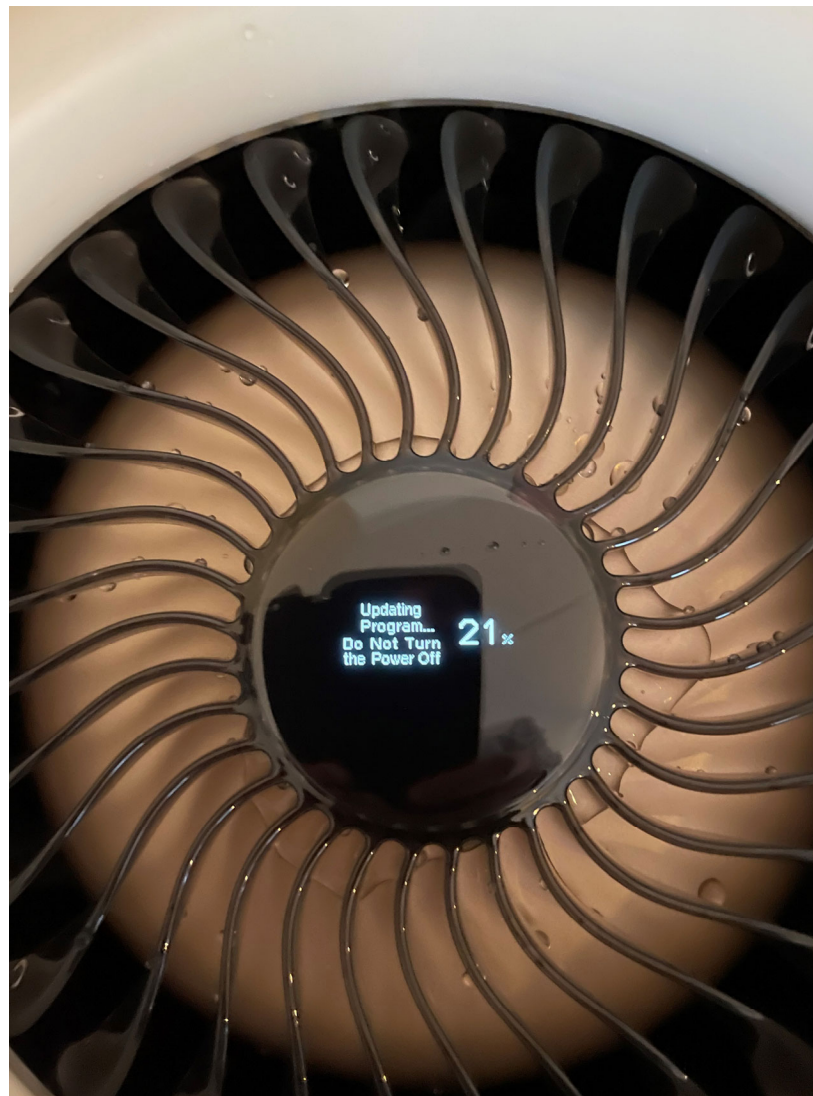






Ehdota liittymistä Ilmoita >

Pass: 12345678







LIFAair®

www.lifa-air.com