



# Twinny

## 332TSW 2xTL5-28W/830 HFS O

Twinny - 2 pcs - TL5 - 28 W - 830 warm white - HF Standard - Opal

Twinny is a versatile enclosed luminaire for surface or semi-recessed mounting in areas requiring IP44 protection. It has a slim, clean design with translucent edges to create an impression of brightness. Twinny is available in 1- and 2-lamp TL-D and TL5 versions with prismatic or opal cover and optional internal reflectors (wide-beam, narrow-beam and asymmetric) for improved performance. It offers easy access for maintenance.

### Product data

| General Information     |                  |
|-------------------------|------------------|
| Number of light sources | 2 [ 2 pcs]       |
| Lamp family code        | TL5 [ TL5]       |
| Lamp power              | 28 W             |
| Light source color      | 830 warm white   |
| Kombipack               | Lamp(s) included |
| Compensation circuit    | -                |
| Gear                    | HF Standard      |
| Optic type              | No [ -]          |
| Optical cover/lens type | O [ Opal]        |
| Emergency lighting      | No [ -]          |
| Feed-through wiring     | -                |
| Cable                   | -                |
| Product family code     | 332TSW [ Twinny] |

| Operating and Electrical |              |
|--------------------------|--------------|
| Input Voltage            | 220 to 240 V |

| Mechanical and Housing               |         |
|--------------------------------------|---------|
| Fixation point length distance (Nom) | 1121 mm |
| Overall length                       | 1212 mm |

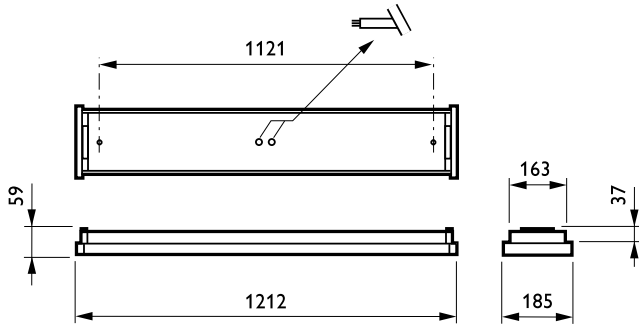
| Approval and Application |                                      |
|--------------------------|--------------------------------------|
| Ingress protection code  | IP44 [ Wire-protected, splash-proof] |

| Product Data                    |                            |
|---------------------------------|----------------------------|
| Full product code               | 641814703418700            |
| Order product name              | 332TSW 2xTL5-28W/830 HFS O |
| EAN/UPC - Product               | 6418147034187              |
| Order code                      | 03418700                   |
| Numerator - Quantity Per Pack   | 1                          |
| Numerator - Packs per outer box | 1                          |
| Material Nr. (12NC)             | 910820025112               |
| Net Weight (Piece)              | 3.100 kg                   |

# Twinnny



## Dimensional drawing



Twinnny 331TSW

