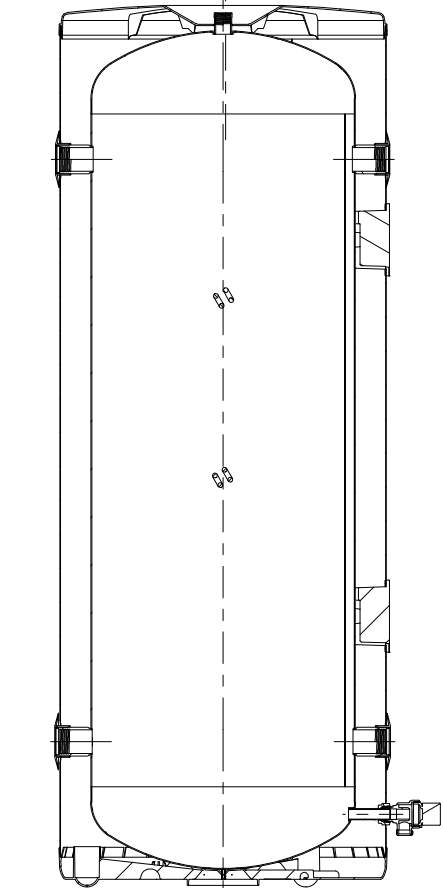
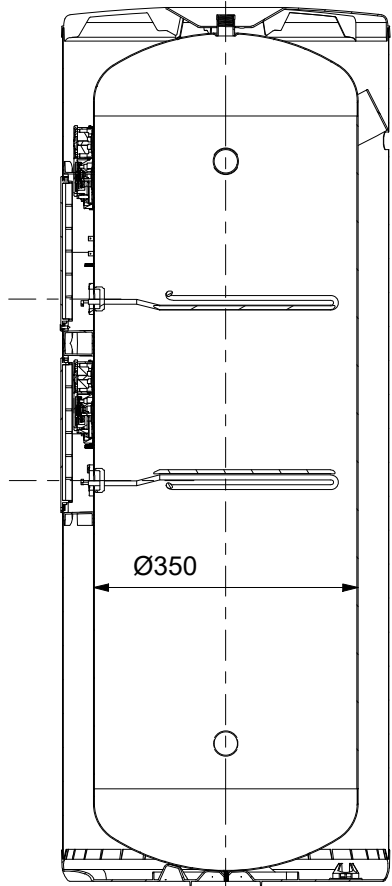
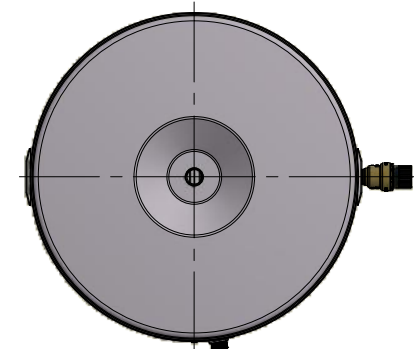
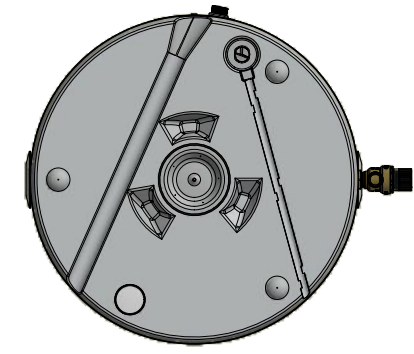
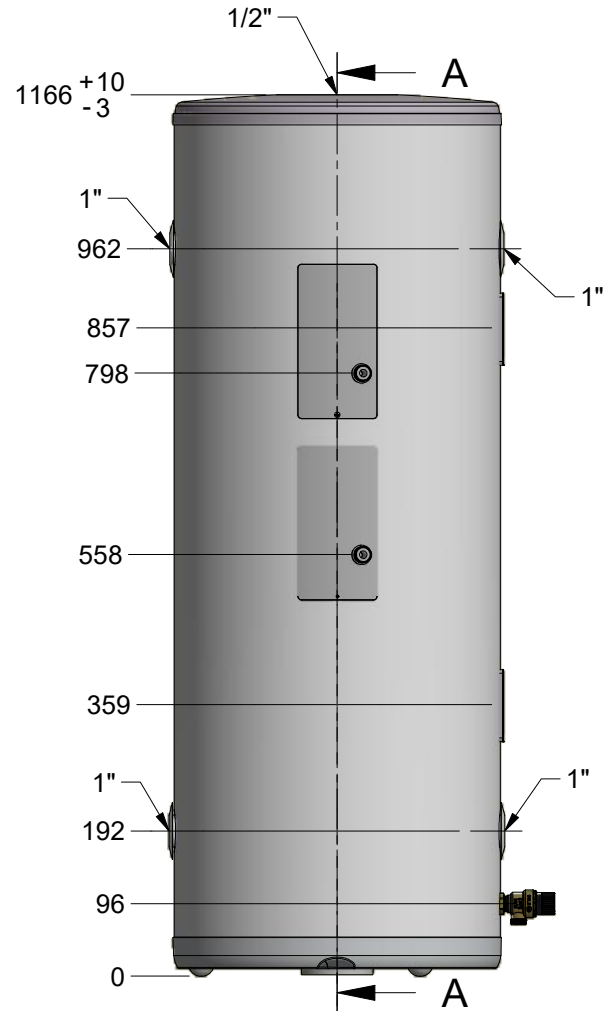
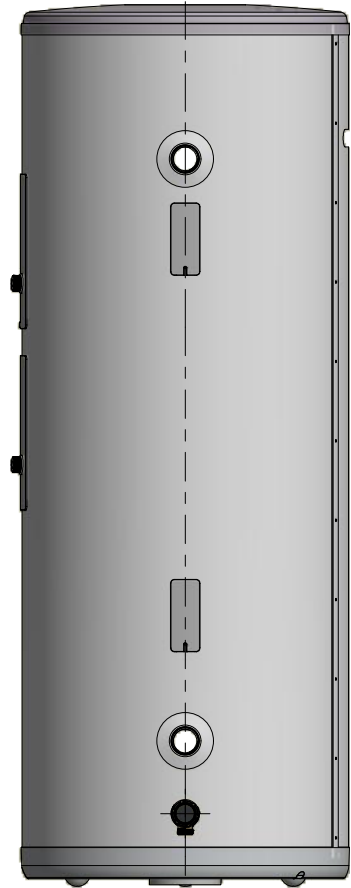


A-A (1:10)



B-B (1:10)



REVISION HISTORY

REV	Beskrivelse	DATE	DESIGNER	APPROVED
00	Released	11.02.2021		

All dimensions are specified in millimeters (mm) unless otherwise stated.
Tolerance based on ISO 2768-1m

Title AS 100	Scale 1:10	Date: 11.02.2021
	Format A3	Designed by: VD
	Sheet 1 of 1	Approved by:
Drawing type: 2D	Projection	
This drawing is copyright and shall not be reproduced or disclosed to a third party without express permission by OSO Hotwater AIS Norway	Drawing no. 15-0190	Rev 00
A/S OSO, N - 3300 Hokksund Tlf: 32 25 00 00 Fax: 32 25 00 90		