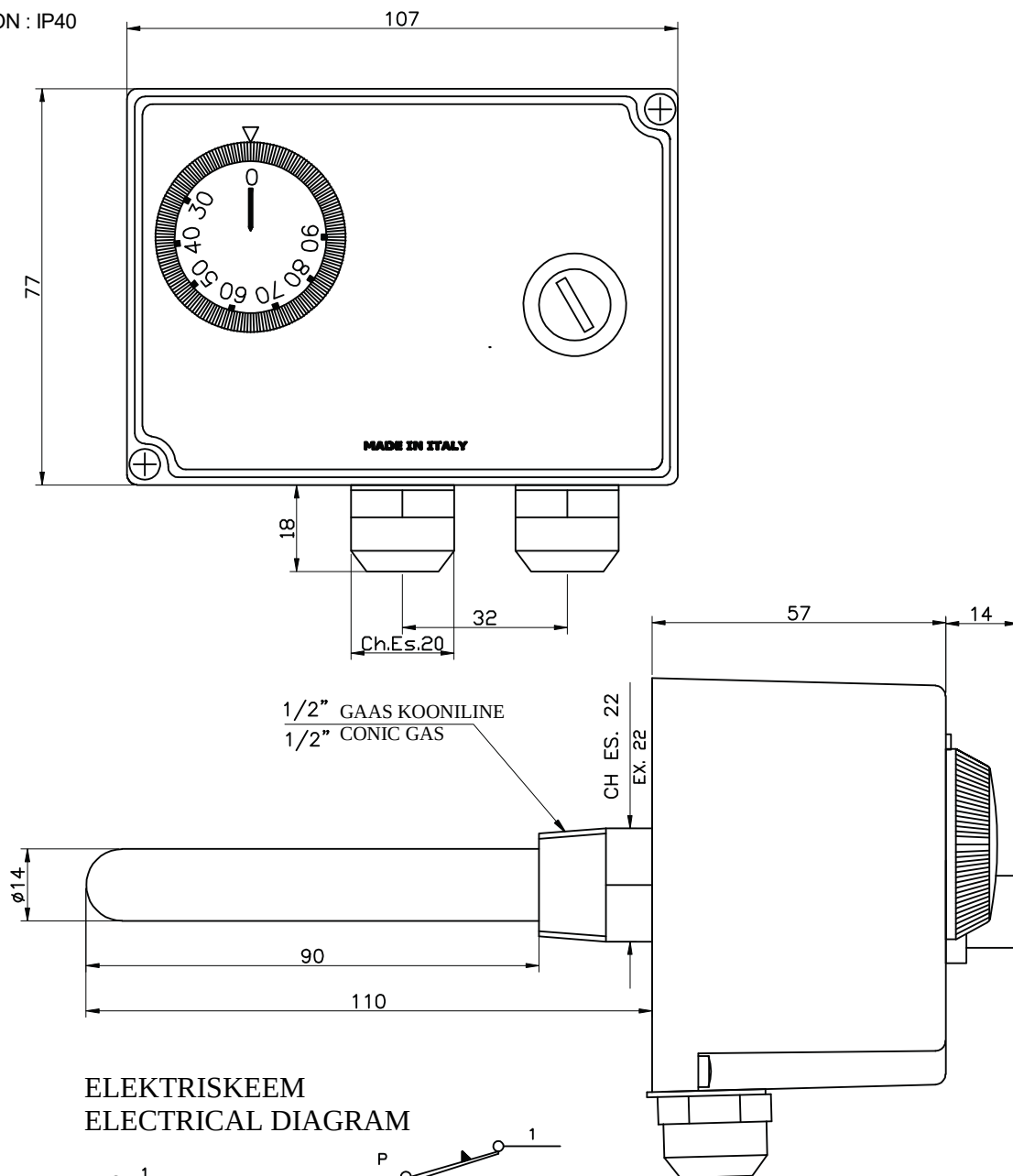


VASTAVUSED  CE

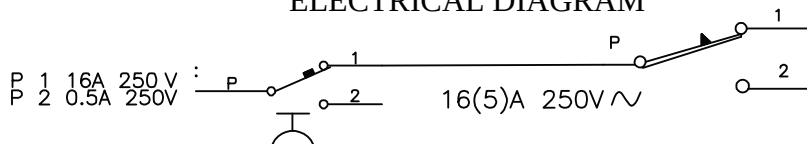
SEADISTATAV TEMPERATUURIVAHEMIK 30°C-90°C±3°C  
KALIBREERIMISTEMPERATUUR SEADISTATAVALE TERMOSTAADILE:  
89°C±3°C  
DIFFERENTS : 4°C±2°C  
KALIBREERIMISTEMPERATUUR KAITSETERMOSTAADILE: 97°C±3°C TERMINAL!  
FASTON 6.3 mm KINNITUSED 1/4" KRUVITERMINALID  
T80  
KAITSEKLASS : IP40

APPROVALS  CE

TEMPERATURE RANGE FOR ADJUSTABLE THERMOSTAT: 30°C-90°C±3°C  
CALIBRATION IN NORMALIZED BATH FOR ADJUSTABLE THERMOSTAT: 89°C±3°C  
DIFFERENTIAL : 4°C±2°C  
CALIBRATION IN NORMALIZED BATH FOR SAFETY MANUAL RESET THERMOSTAT: 97°C±3°C  
TABS TYPE 1/4" WITH SCREW TERMINALS  
T80  
INTERNATIONAL PROTECTION : IP40



ELEKTRISKEEM  
ELECTRICAL DIAGRAM



KAITSETERMOSTAAT KÄSITAGASTUSEGA  
SAFETY WITH MANUAL RESET

SEADISTATAV TERMOSTAAT  
ADJUSTABLE ELECTRIC THERMOSTAT