

# SERVICE VALVE

With automatic drainage, made of ductile iron



## Design features

- Resilient seated gate valve with optimum flow passage
- Suitable for drainage of pipes which might freeze e.g. irrigation pipes etc. In below ground applications sufficient draining for the valve has to be considered (e.g. drainage pit)
- Sealing system: Automatic secured drainage when valve is completely closed. No clearing when the valve is partly or completely open  
NOT suitable for sites with a drainage hole situated above the groundwater table
- Internal thread is equipped with a corrosion protection ring to prevent corrosion

**Standard version:** without handwheel and extension spindle

**Special versions:** on request

## Material | Technical features

- **Shut-off plug** made of brass, with vulcanized elastomer
- **Hose fitting** made of chrome-plated brass

## Suitable accessories

**Suitable accessories:** see page J 1/2

Handwheel:		No. 7800
Extension spindle:	rigid	No. 9101
	telescopic	No. 9601
Surface box:	rigid	No. 1550, No. 1650
	telescopic:	No. 1850, No. 1851K
Spindle extension:	No. 7820	
Sealing cap:	No. 2156, No. 2157, No. 2158	

**No. 2491**



Order No.	Version	MOP (PN)	Dimensions/DN				
			¾"	1"	1¼"	1½"	2"
2491	internal iron threads both ends, automatic drainage device	16					



**E. Hawle Armaturenwerke GmbH** 4840 Vöcklabruck - Austria - Wagrainner Straße 13  
Tel.: +43 (0) 7672 72576 0 - Fax: +43 (0) 7672 78464 - E-Mail: hawle@hawle.at - hawle.com

**J 8/5**

# SERVICE VALVE

With automatic drainage, made of ductile iron

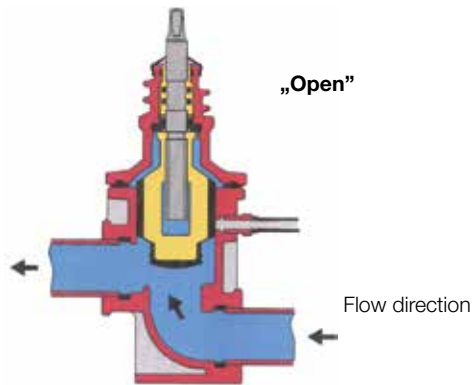
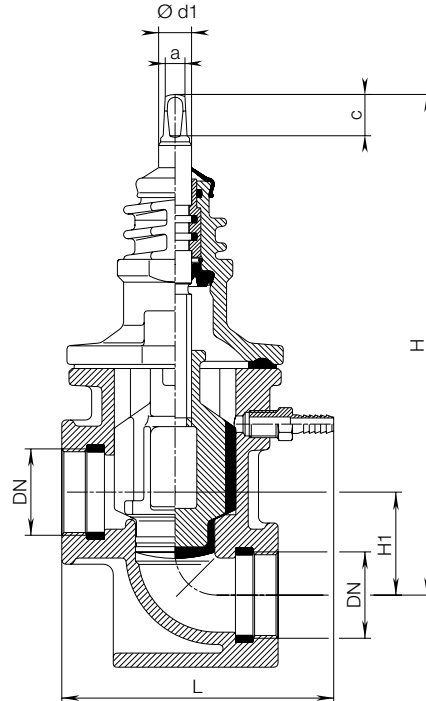


## No. 2491

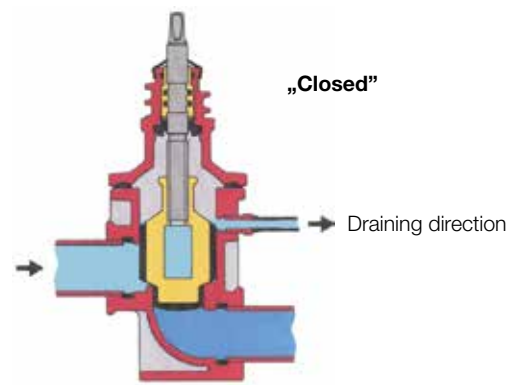
### Thread drainhole and automatic draining

Note installation direction (arrow). Drainage only when the valve is completely closed:

Note that drainhole must be positioned above ground water level in case of below ground installation (no backflow preventer in the drainhole!)



Opening torque max. 40 Nm



Closing torque max. 40 Nm

DN Internal thread (ISO 228)	Valve			Spindle			Weight
	L	H	H1	a	c	Ø d1	
3/4"	115	207	41	10,3	20	16	2,40
1"	115	207	41				2,30
1 1/4"	130	243	50				3,90
1 1/2"	130	243	50				4,00
2"	140	243	50				4,50

J 8/6



E. Hawle Armaturenwerke GmbH 4840 Vöcklabruck - Austria - Wagrainner Straße 13  
Tel.: +43 (0) 7672 72576 0 - Fax: +43 (0) 7672 78464 - E-Mail: hawle@hawle.at - hawle.com