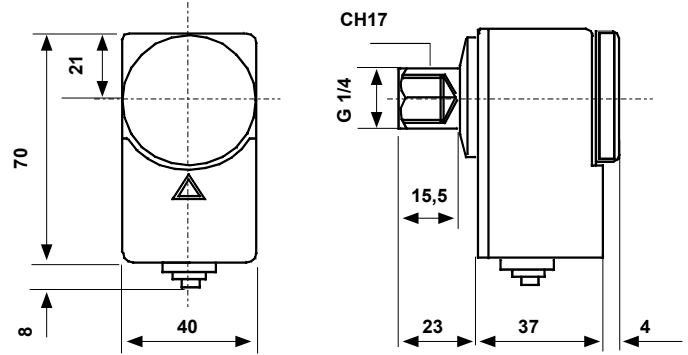


B01

Pressure switches up to 15 bar with non-adjustable differential

Pressure switches for fluids and inert gases. Suitable for compressors, autoclaves, control of lubrication circuits, steam boilers, irrigation systems etc.

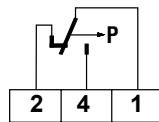


	Range bar	Differential* bar	Sensitive element max. pressure bar	Connection G/14	Protection degree	Availability
B01A	0,7 ÷ 3	0,4	6	flange	IP40	in stock
B01B	2 ÷ 5,5	0,6	7	flange	IP40	in stock
B01C	3 ÷ 7	0,6	9	flange	IP40	in stock
B01D	4 ÷ 15	1	18	flange	IP40	in stock
B01A4	0,7 ÷ 3	0,4	6	threaded	IP40	on request
B01B4	2 ÷ 5,5	0,6	7	threaded	IP40	on request
B01C4	3 ÷ 7	0,6	9	threaded	IP40	on request
B01D4	4 ÷ 15	1	18	threaded	IP40	on request

1 Bar = 100Kpa / * The differential must be deducted from the range value.

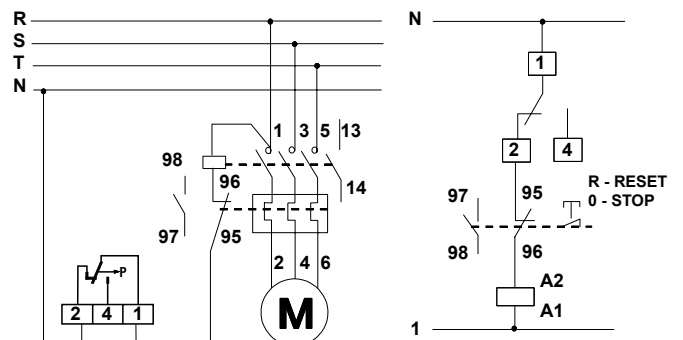
ELECTRICAL FEATURES

Snap action SPDT microswitch with AgCdO contacts.



Nominal insulation tension	U _i 380V~		
Continuous duty nominal current	I _{th} 15A		
Operating nominal current I _e	220V~	250V~	380V~
Resistive load	AC-12	-	10A 10A
Inductive load	AC-15	-	0,2A 1,5A
Continuous current	DC-13	0,2A	-

EXAMPLE OF ELECTRICAL WIRING



HOMOLOGATION AND STANDARDS

Complies with EN 60947-5-1 standards.

INSTALLATION

Direct installation on the pipe.

In case of fluid temperatures higher than the maximum allowed, connect the pressure switch to the pipe by inserting a metallic spiral between the pressure switch and the pipe to facilitate heat dispersion.

OPERATION

When it is reached the blocking value of the pressure: 1-2 opens, 1-4 closes.

If these devices are used as control pressostats (pressure lack), verify that maximum pressure does not exceed maximum supported sensitive element pressure.

FEATURES

Elements in contact with the fluid are in stainless steel, laser welded.

Base, cover and knob in V0 self-extinguishing, shockproof thermoplastic material.

Output connections with PVC cable gland.

Maximum temperature of the controlled fluid: 120 °C.

Pressure switch body admissible temperature: -35 ÷ 80°C.

Storage and transport temperature: -35 ÷ 80°C.

Unit weight: 0,15 Kg.

ACCESSORIES



303298LA

G1/2 cable gland in V0 self-extinguishing, shockproof thermoplastic material for output connections.