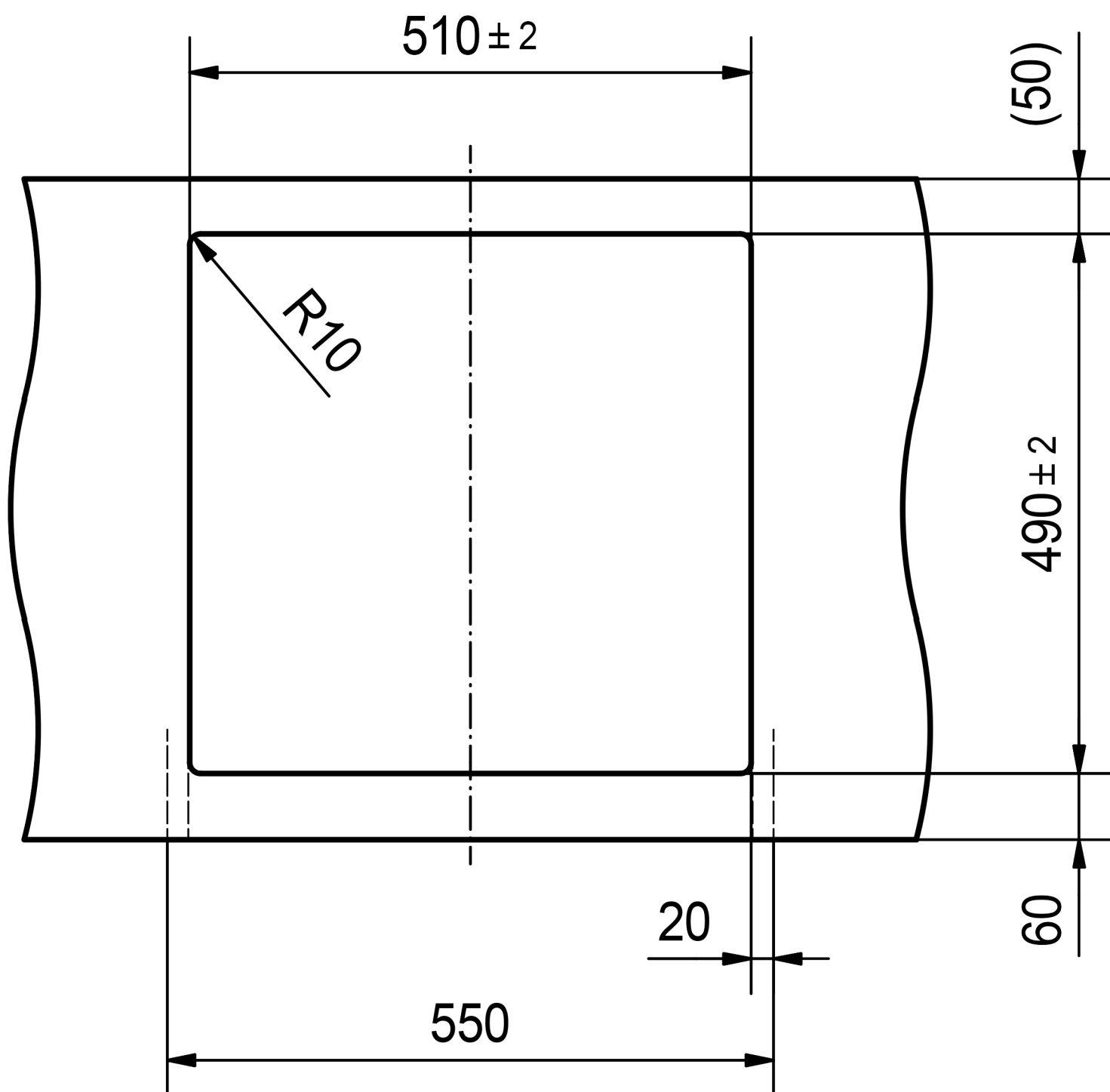


CO



Drawing No. 0056-216006 Revision D

Drawn Date 15.06.2017

These drawings and specifications are the property of Franke Technology and Trademark Ltd. and shall not be reproduced, copied or transferred to any third party without the prior written permission of Franke Technology and Trademark Ltd., Hergiswil, Switzerland



MRX 210-50 TL SI
installing document

Sheet Sheets

3 6