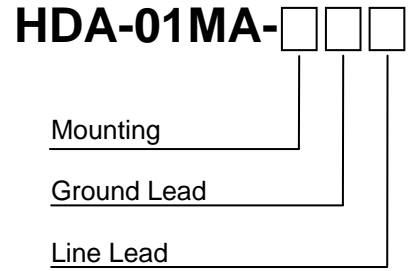


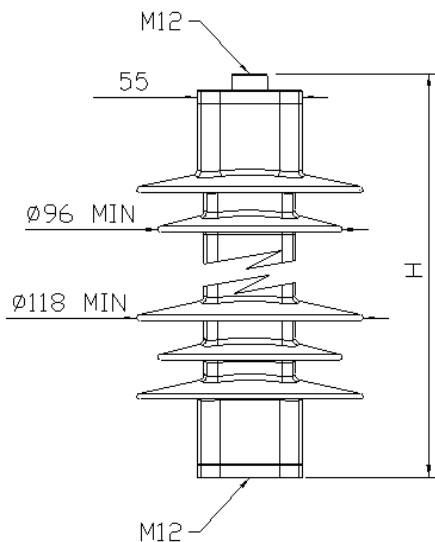
Metal Oxide Surge Arrester

AC System Voltage Range: 1 - 24 kV
 Polymeric Housing
 IEC 60099-4, Ed 2.0
 Nominal discharge current (I_n) 8/20 μ s: 10 kA
 Line discharge class: 1
 High current impulse (4/10 μ s): 100 kA
 Energy Absorption Capability at:
 - High Current Impulse (100 kA; 4/10 μ s, 2 impulses): 6.8 kJ/kV·Uc
 - Single Long Duration Current Impulse (IEC 60099-4, clause 8.4): 2.1 kJ/kV·Uc
 Long duration current Impulse (2000 μ s): 400 A

Continuous operating voltage **U_c: 1 kV**
 Rated voltage **U_r: 1.25 kV**
 Short circuit rating for 0.2 s (pre-failing method):
 Rated Short-circuit (I_{sc}): 40 kA
 Low short-circuit current: 600 A
 Safe non-shattering design



Dimensions (mm)



Arrester Housing

Impulse voltage 1,2/50 μ s	kV	106
Power frequency voltage	-wet: kV	47
Overall length, (H)	mm	183
Flashover distance	mm	176
Creepage Length	mm	380
Weight	kg	1.8
No of Sheds:		5
Cantilever strength *	Nm	350
Pull strength	N	2000
Max. Torque M12 *	Nm	50

*Ref: Thermomechanical & bending moment test 60099-4

- 100% Routine testing**
- Residual Voltage
 - Reference Voltage
 - Partial Discharge

Residual Voltages (kV)

Lightning current impulse 8/20 μ s:			Steep lightning current impulse 1/20 μ s	Switching current impulse 30/60 μ s	
5 kA	10 kA	20 kA	10 kA	125 A	500 A
3.1	3.3	3.6	3.4	2.5	2.6

Temporary Overvoltage Capability (TOV)

1 Sec. TOV: 1.50 kV
 100 Sec. TOV: 1.37 kV

Marking

Raychem

MO Surge Arrester
 50/60 Hz
 IEC 60099-4
 I_{sc} 40 kA
 I_n 10 kA Class 1
 HDA-01MA
 U_c: 1 kV
 U_r: 1.25 kV
 Manufacturing Year

