

Product data

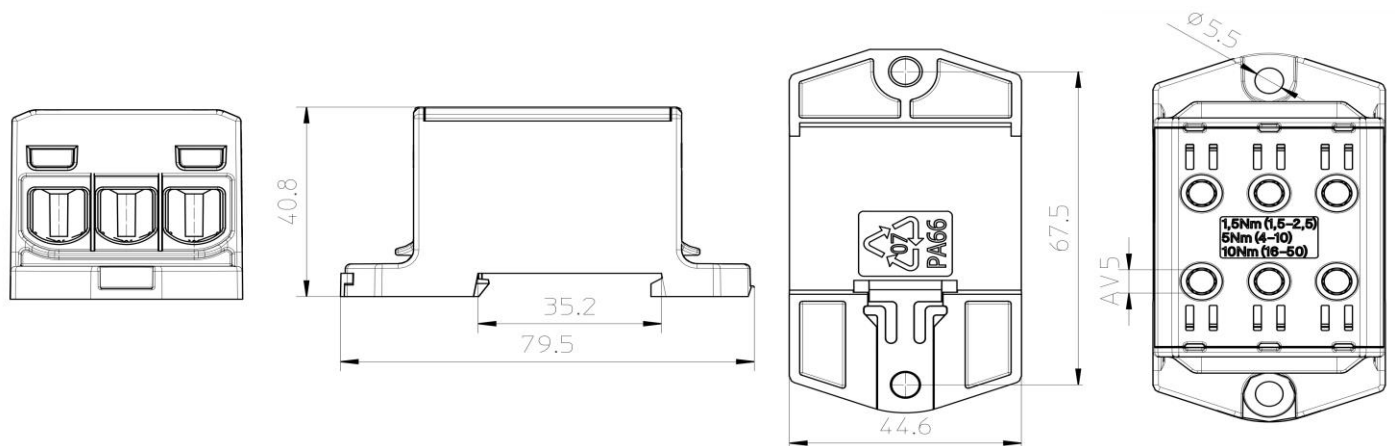
Product code	VC05-0237	STK-code	1912360	EAN-code	6410019123609
Product name	OTL-connector 3xAl/Cu 1,5-50mm ² (Yellow/Green)			ETIM class	EC000276
Wires	3xAl/Cu 1,5-50mm ²				

Technical data

Nominal current (IEC)	Cu	160	A
	Al	145	A
Nominal voltage (IEC)		1000	V
Max. Current (US)	Cu	150	A
	Al	120	A
Max. Voltage (US)		600	V
Number of poles		1	pcs
Max. Cross section		50	mm ²
Tightening torque			
	1,5-2,5 mm ² (14-16 AWG)	1,5	Nm
	4-10 mm ² (8-12 AWG)	5	Nm
	16-50 mm ² (1/0-6 AWG)	10	Nm
		-	
Max. Operating temperature		80	°C
Weight		109	g
IP-protection		IP20	
Standards	EN 61238-1; EN60947-7-1; UL1059		
Color / Material	Green RAL 6018, Yellow RAL 1016/ PA66-V0		
Mounting / Connection	DIN-rail and screw (M5) mounting		


Description

OTL-connectors are designed for connecting and branching aluminium and copper conductors. The body is made of tin plated aluminium. Housing is made of UL94 V0 class polyamide.

Drawing

Package

Package	Box	Pcs / Package	20	Weight [kg]	1,88
Length [mm]	210	Width [mm]	155	Height [mm]	105

Ouneva Oy

Teollisuustie 21
FI-82730 Tuupovaara
Finland

Tel. +358 400 179 750
info@ouneva.fi

www.ounevagroup.fi
www.ounevaproducts.fi