

Product data

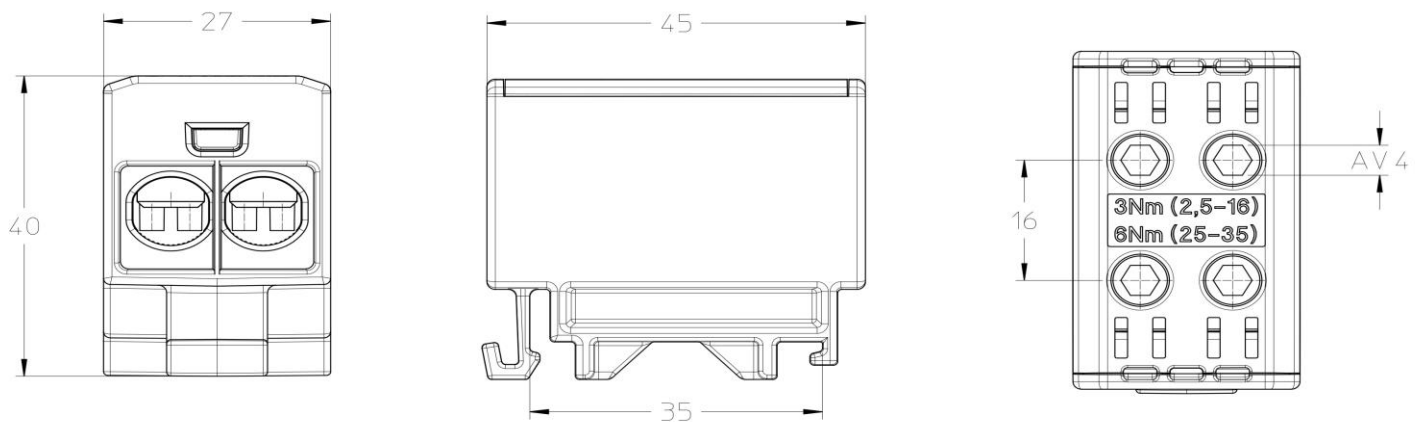
Product code	VC05-0153	STK-code	1912073	EAN-code	6410019120738
Product name	OTL-connector 2xAl/Cu 2,5-35mm ² (Grey)			ETIM class	EC000276
Wires	2xAl/Cu 2,5-35mm ²				

Technical data

Nominal current (IEC)	Cu	135	A
	Al	120	A
Nominal voltage (IEC)		1000	V
Max. Current (US)	Cu	115	A
	Al	90	A
Max. Voltage (US)		600	V
Number of poles		1	pcs
Max. Cross section		35	mm ²
Tightening torque	2,5-16 mm ² (6-14 AWG)	3	Nm
	25-35 mm ² (2-4 AWG)	6	Nm
		-	
		-	
Max. Operating temperature		80	°C
Weight		44	g
IP-protection		IP20	
Standards	EN 61238-1; EN60947-7-1; UL1059		
Color / Material	Grey RAL 7035/ PA66-V0		
Mounting / Connection	DIN-rail mounting		


Description

OTL-connectors are designed for connecting and branching aluminium and copper conductors. The body is made of tin plated aluminium. Housing is made of UL94 V0 class polyamide.

Drawing

Package

Package	Box	Pcs / Package	18	Weight [kg]	0,90
Length [mm]	85	Width [mm]	144	Height [mm]	85

Ouneva Oy

Teollisuustie 21
FI-82730 Tuupovaara
Finland

Tel. +358 400 179 750
info@ouneva.fi

www.ounevagroup.fi
www.ounevaproducts.fi