

Product data

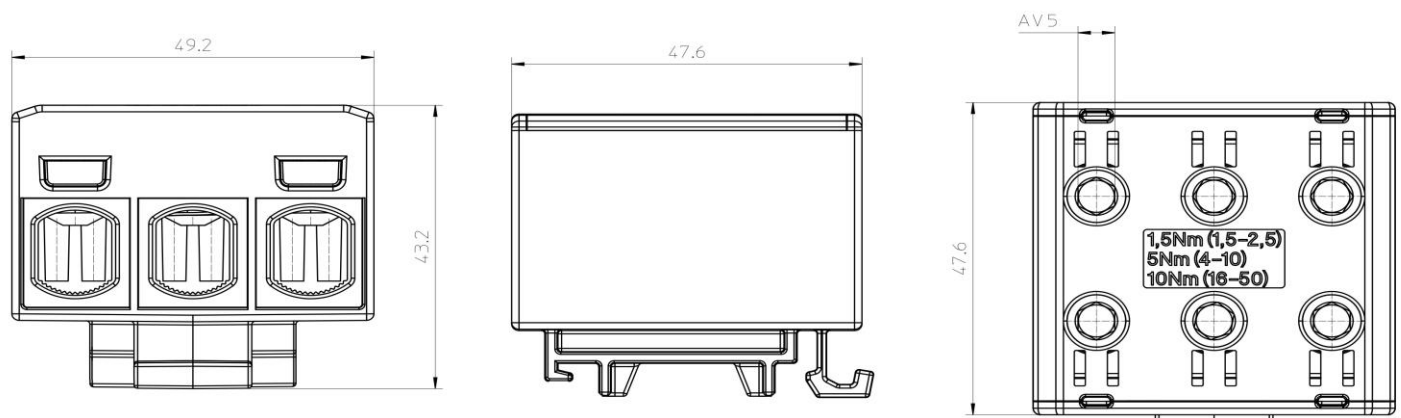
Product code	VC05-0054	STK-code	1914109	EAN-code	6410019141092
Product name	OTL-connector 3xAl/Cu (1x50 mm ²) Grey			ETIM class	EC000897
Wires	3xAl/Cu (1x50 mm ²)				

Technical data

Nominal current (IEC)	Cu	160	A
	Al	145	A
Nominal voltage (IEC)		1000	V
Max. Current (US)	Cu	150	A
	Al	120	A
Max. Voltage (US)		600	V
Number of poles		1	pcs
Max. Cross section		50	mm ²
Tightening torque			
	1,5-2,5 mm ² (14-16 AWG)	1,5	Nm
	4-10 mm ² (8-12 AWG)	5	Nm
	16-50 mm ² (1/0-6 AWG)	10	Nm
		-	
Max. Operating temperature		80	°C
Weight		100	g
IP-protection		IP20	
Standards	EN 61238-1; EN60947-7-1; UL1059		
Color / Material	Grey RAL 7035/ PA66-V0		
Mounting / Connection	DIN-rail mounting		


Description

OTL-connectors are designed for connecting and branching aluminium and copper conductors. The body is made of tin plated aluminium. Housing is made of UL94 V0 class polyamide.

Drawing

Package

Package	Box	Pcs / Package	20	Weight [kg]	1,70
Length [mm]	210	Width [mm]	155	Height [mm]	105

Ouneva Oy

Teollisuustie 21
 FI-82730 Tuupovaara
 Finland

Tel. +358 400 179 750
info@ouneva.fi

www.ounevagroup.fi
www.ounevaproducts.fi