

Product data

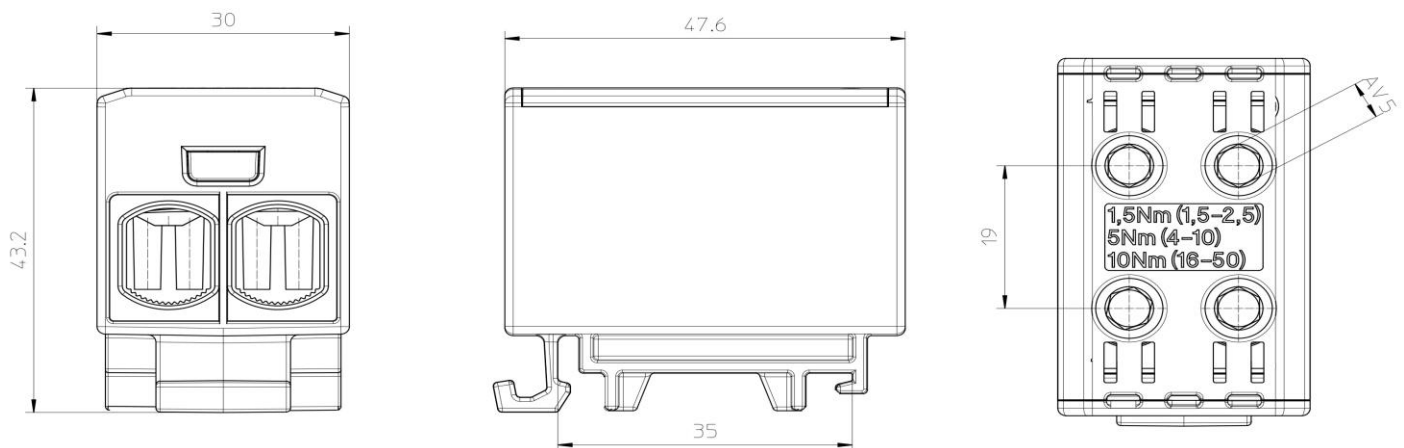
Product code	VC05-0048	STK-code	1914107	EAN-code	6410019141078
Product name	OTL-connector 2xAl/Cu 1,5-50mm ² (Blue)			ETIM class	EC000276
Wires	2xAl/Cu 1,5-50mm ²				

Technical data

Nominal current (IEC)	Cu	320	A
	Al	290	A
Nominal voltage (IEC)		1000	V
Max. Current (US)	Cu	150	A
	Al	120	A
Max. Voltage (US)		600	V
Number of poles		1	pcs
Max. Cross section		50	mm ²
Tightening torque			
	1,5-2,5 mm ² (14-16 AWG)	1,5	Nm
	4-10 mm ² (8-12 AWG)	5	Nm
	16-50 mm ² (1/0-6 AWG)	10	Nm
		-	
Max. Operating temperature		80	°C
Weight		90	g
IP-protection		IP20	
Standards	EN 61238-1; EN60947-7-1; UL1059		
Color / Material	Blue RAL 5015/ PA66-V0		
Mounting / Connection	DIN-rail mounting		


Description

OTL-connectors are designed for connecting and branching aluminium and copper conductors. The body is made of tin plated aluminium. Housing is made of UL94 V0 class polyamide.

Drawing

Package

Package	Box	Pcs / Package	15	Weight [kg]	0,80
Length [mm]	120	Width [mm]	130	Height [mm]	100

Ouneva Oy

Teollisuustie 21
 FI-82730 Tuupovaara
 Finland

Tel. +358 400 179 750
info@ouneva.fi

www.ounevagroup.fi
www.ounevaproducts.fi