

Product data

Product code	VC05-0042	STK-code	1914115	EAN-code	6410019141153
Product name	OTL-connector 2xAl/Cu 6-95mm ² (Grey)			ETIM class	EC000276
Wires	2xAl/Cu 6-95mm ²				

Technical data

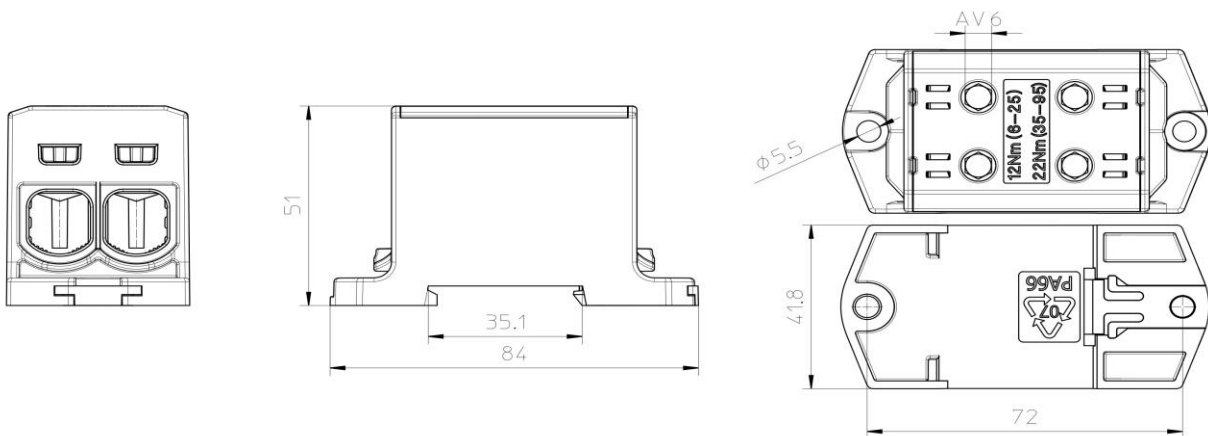
Nominal current (IEC)	Cu	245	A
	Al	220	A
Nominal voltage (IEC)		1000	V
Max. Current (US)	Cu	230	A
	Al	180	A
Max. Voltage (US)		600	V
Number of poles		1	pcs
Max. Cross section		95	mm ²
Tightening torque			
	6-25 mm ² (3-10 AWG)	12	Nm
	35-95 mm ² (4/0-2 AWG)	22	Nm
		-	
		-	
Max. Operating temperature		80	°C
Weight		125	g
IP-protection		IP20	



Standards	EN 61238-1; EN60947-7-1; UL1059
Color / Material	Grey RAL 7035/ PA66-V0
Mounting / Connection	DIN-rail and screw (M5) mounting

Description

OTL-connectors are designed for connecting and branching aluminium and copper conductors. The body is made of tin plated aluminium. Housing is made of UL94 V0 class polyamide.

Drawing

Package

Package	Box	Pcs / Package	30	Weight [kg]	3,55
Length [mm]	300	Width [mm]	205	Height [mm]	100

Ouneva Oy

Teollisuustie 21
FI-82730 Tuupovaara
Finland

Tel. +358 400 179 750
info@ouneva.fi

www.ounevagroup.fi
www.ounevaproducts.fi