

Product data

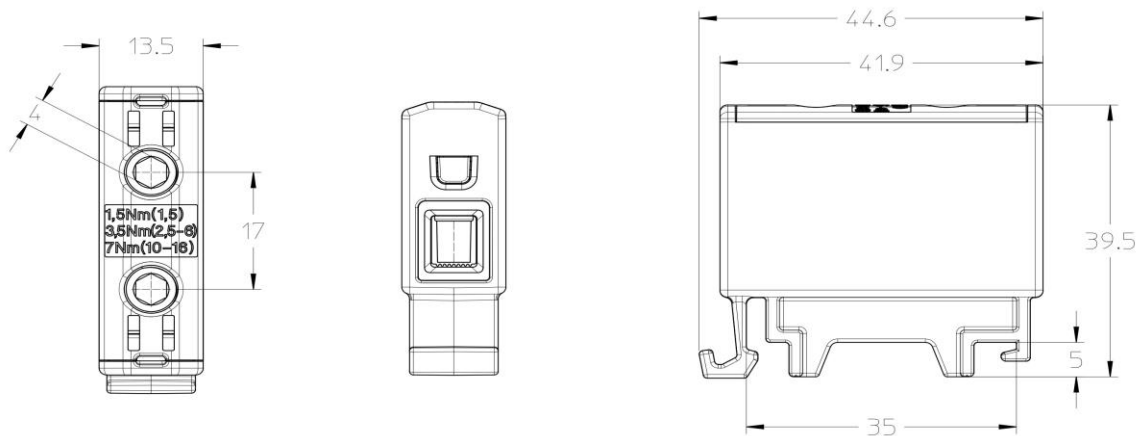
Product code	VC05-0001	STK-code	1914101	EAN-code	6410019141016
Product name	OTL-connector 1xAl/Cu 1,5-16mm² (Blue)			ETIM class	EC000897
Wires	1xAl/Cu 1,5-16mm²				

Technical data

Nominal current (IEC)	Cu	82	A
	Al	75	A
Nominal voltage (IEC)		1000	V
Max. Current (US)	Cu	85	A
	Al	65	A
Max. Voltage (US)		600	V
Number of poles		1	pcs
Max. Cross section		16	mm ²
Tightening torque	1,5 mm ² (16 AWG)	1,5	Nm
	2,5-6 mm ² (10-14 AWG)	3,5	Nm
	10-16 mm ² (4-8 AWG)	7	Nm
		-	
Max. Operating temperature		80	°C
Weight		15	g
IP-protection		IP20	
Standards	EN 61238-1; EN60947-7-1; UL1059		
Color / Material	Blue RAL 5015/ PA66-V0		
Mounting / Connection	DIN-rail mounting		


Description

OTL-connectors are designed for connecting and branching aluminium and copper conductors. The body is made of tin plated aluminium. Housing is made of UL94 V0 class polyamide.

Drawing

Package

Package	Box	Pcs / Package	30	Weight [kg]	0,55
Length [mm]	120	Width [mm]	130	Height [mm]	100

Ouneva Oy

Teollisuustie 21
 FI-82730 Tuupovaara
 Finland

Tel. +358 400 179 750
info@ouneva.fi

www.ounevagroup.fi
www.ounevaproducs.fi