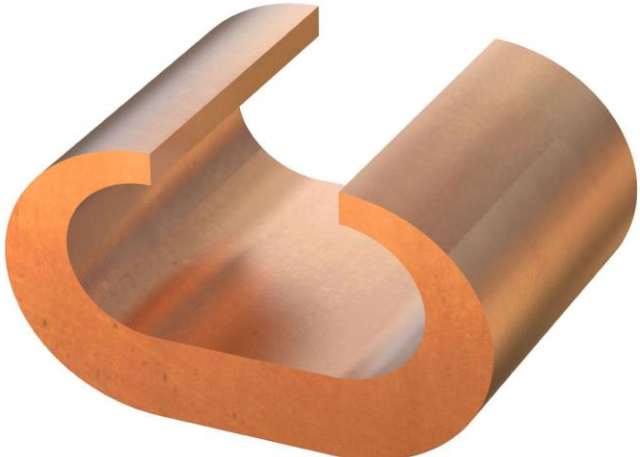


Product data

Product code	VA05-0006	STK-code	5040315	EAN-code	6410050403159
Product name	C-connector C15			ETIM class	EC002290
Wires	95-120 mm ² /95-120 mm ²				

Technical data

		-
		-
		-
		-
		-
		-
		-
		-
		-
		-
Number of poles	1	pcs
Max. Cross section	120	mm ²
		-
		-
		-
		-
		-
Weight	122,5	g
		-

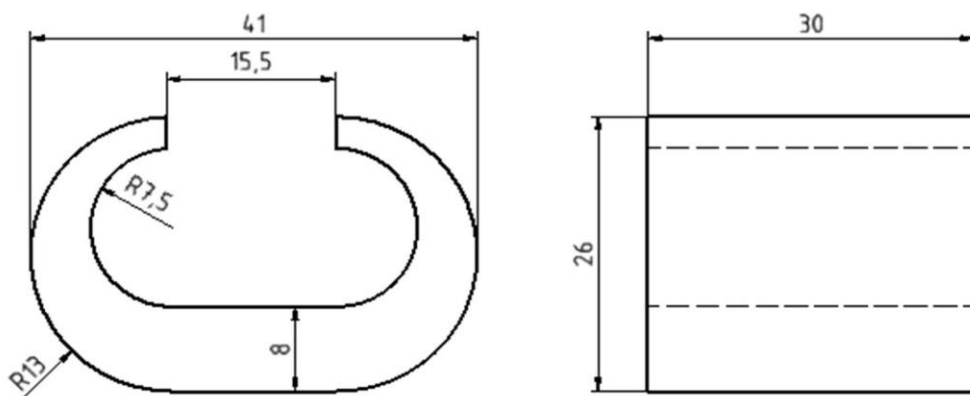


Color / Material	Copper, no coating
Mounting / Connection	Crimping dies BC15 (Elpress)

Description

C-sleeves are designed for connecting, branching and extending of copper cables. C-Sleeves are made of 99,9% pure copper.

Drawing



Package

Package	Box	Pcs / Package	25	Weight [kg]	3,16
Length [mm]	176	Width [mm]	141	Height [mm]	80

Ouneva Oy

Teollisuustie 21
FI-82730 Tuupovaara
Finland

Tel. +358 400 179 750
info@ouneva.fi

www.ounevagroup.fi
www.ounevaproducs.fi