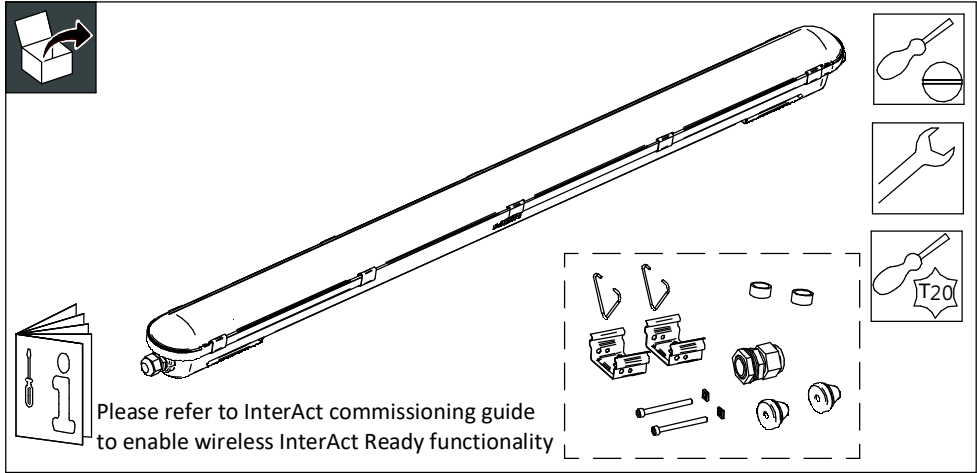



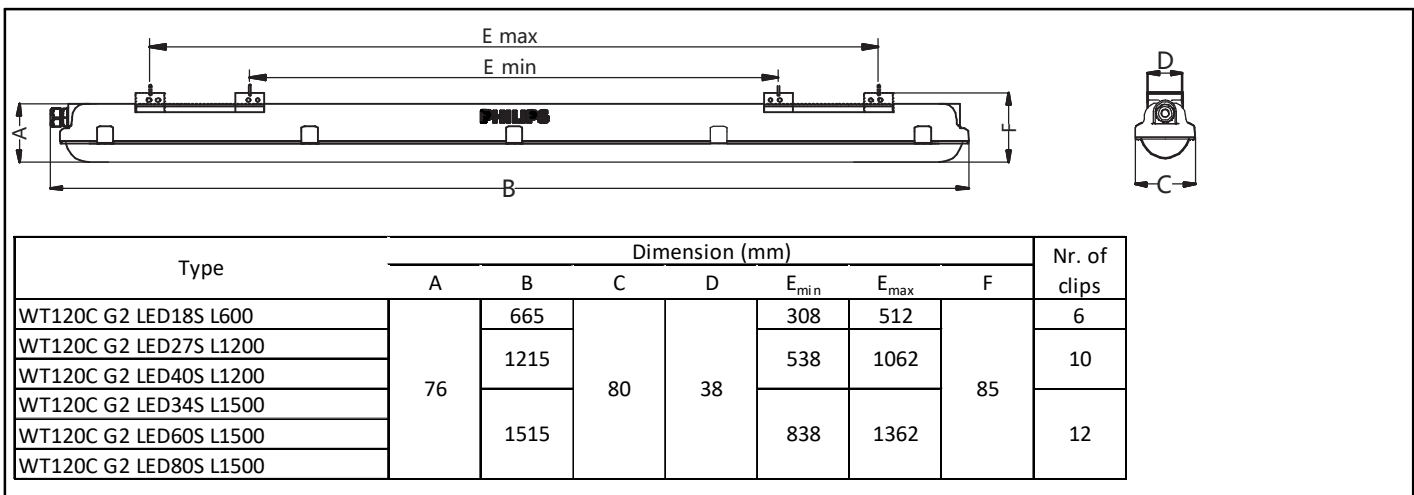
PHILIPS

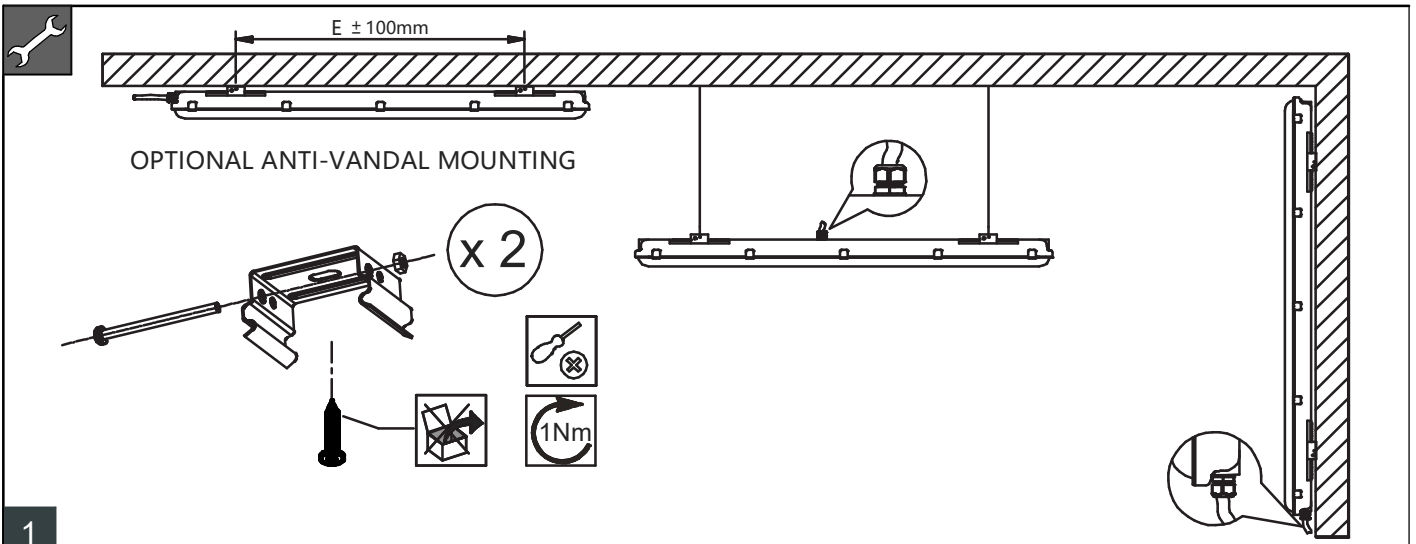
CoreLine
Waterproof

WT120C G2

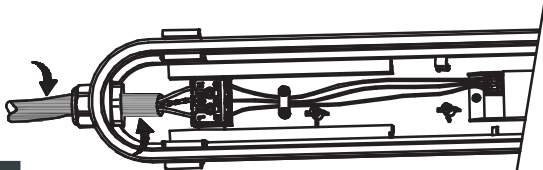
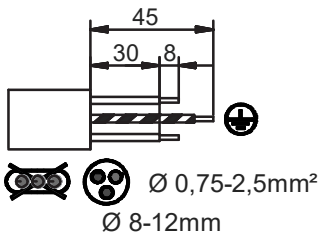


	System light output (Lm)	
WT120C G2 LED19S/840 PSD L600	1900	0,9
WT120C G2 LED27S/840 PSD L1200	2700	1,4
WT120C G2 LED40S/840 PSD L1200	4000	1,4
WT120C G2 LED34S/840 PSD L1500	3400	1,7
WT120C G2 LED60S/840 PSD L1500	6000	1,7
WT120C G2 LED80S/840 PSD L1500	8000	1,7
WT120C G2 LED27S/840 PSU TW3 L1200	2700	1,5
WT120C G2 LED40S/840 PSU TW3 L1200	4000	1,5
WT120C G2 LED34S/840 PSU TW3 L1500	3400	2,1
WT120C G2 LED60S/840 PSU TW3 L1500	6000	2,1
WT120C G2 LED80S/840 PSU TW3 L1500	8000	2,1
WT120C G2 LED40S/840 PSU WEC L1200	4000	1,4
WT120C G2 LED40S/840 PSU TW1 WEC L1200	4000	1,5
WT120C G2 LED60S/840 PSU WEC L1500	6000	1,7
WT120C G2 LED60S/840 PSU TW1 WEC L1500	6000	1,8
WT120C G2 LED40S/840 IA1 L1200	4000	1,4
WT120C G2 LED60S/840 IA1 L1500	6000	1,7
WT120C G2 LED19S/840 PSU RCA	1900	0,9
WT120C G2 LED40S/840 PSU RCA	4000	1,4
WT120C G2 LED60S/840 PSU RCA	6000	1,7





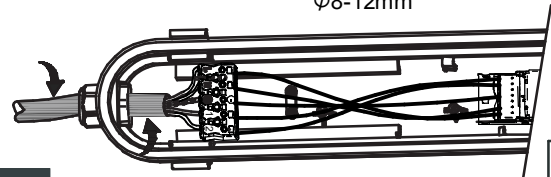
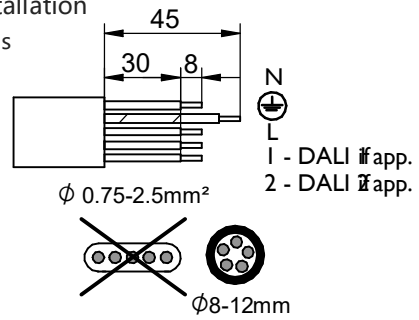
Switch off the power supply before installation
WEC & RCA & IA1 versions



2a



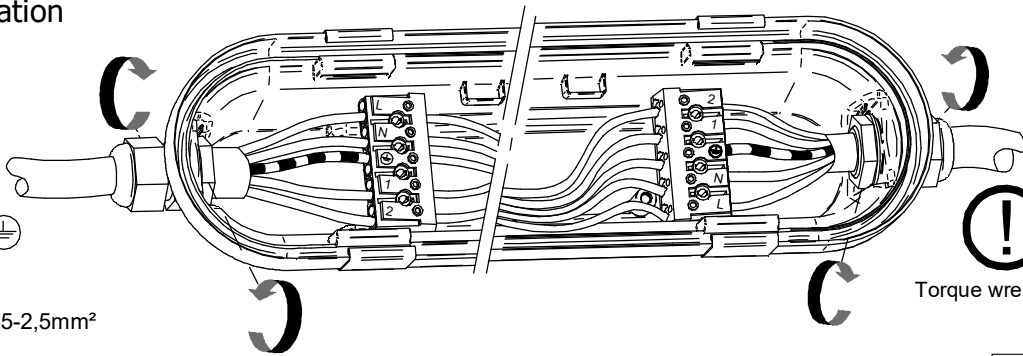
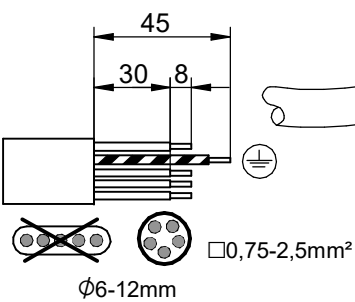
Switch off the power supply before installation
PSD versions



2b



Switch off the power supply before installation
TW3 versions

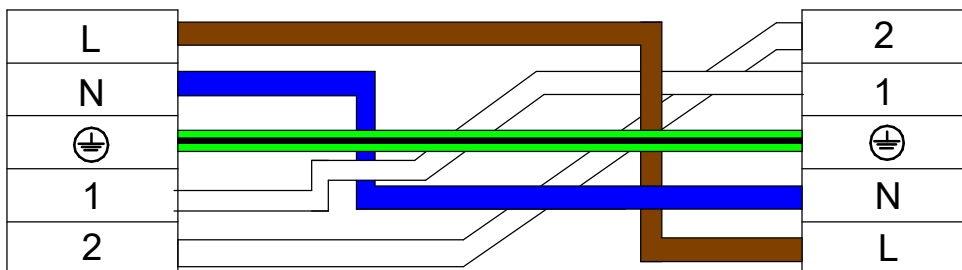


Torque wrench required!

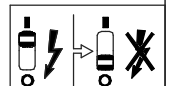
2c



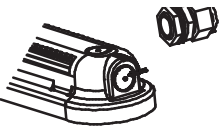
Through wiring

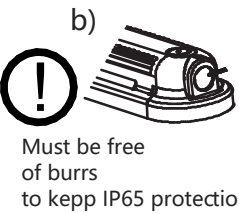


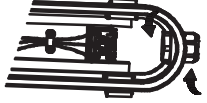
2d

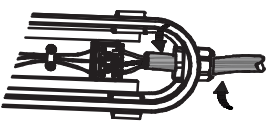


Install cable in other location (optional)
Switch off the power supply before installation


a) 

b)  Must be free of burrs to keep IP65 protection

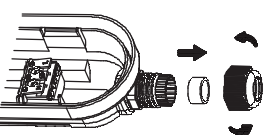
c) 

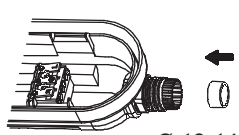
d) 

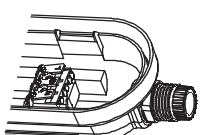
3

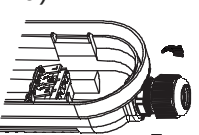


Replacement of Silicone Plug (optional)


a) 

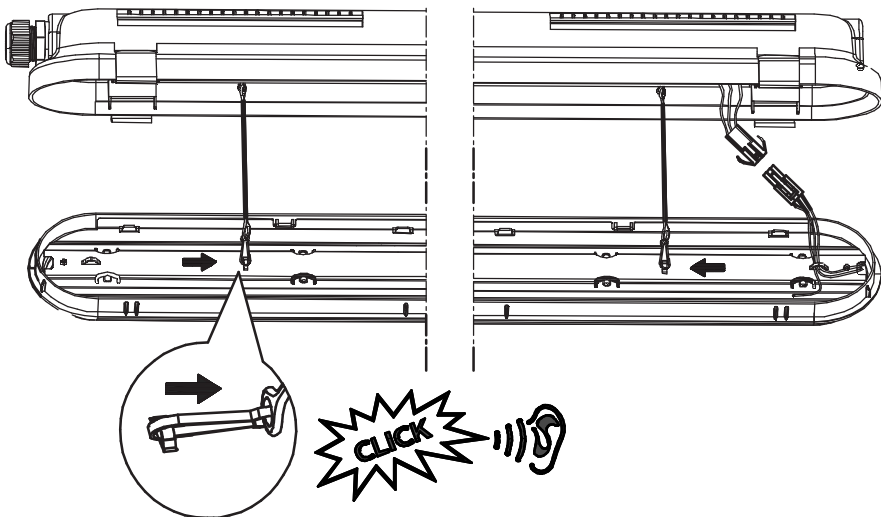
b)  New Silicone Plug
Ø 12-14 mm

c) 

d) 

4



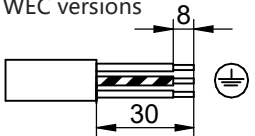


5

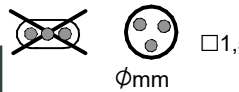
Use only optical sub-assembly is delivered with housing in one box!

Switch off the power supply before installation

WEC versions

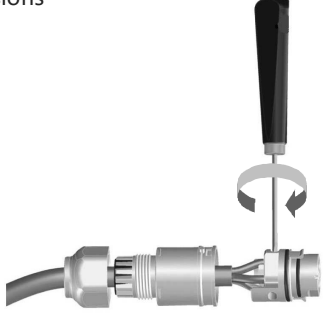


6a

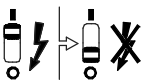


□ 1,5-2,5mm²
Ømm

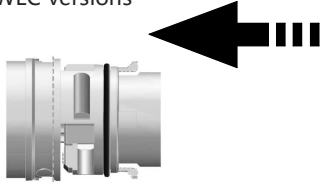
WEC versions



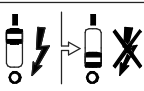
6b




WEC versions



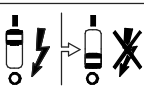
6c




WEC versions



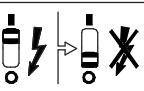
6d



WEC versions

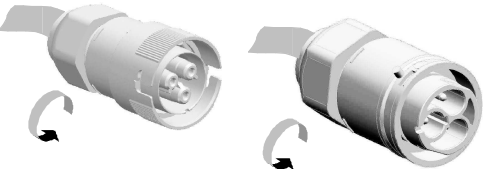


6e

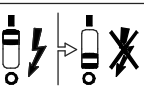


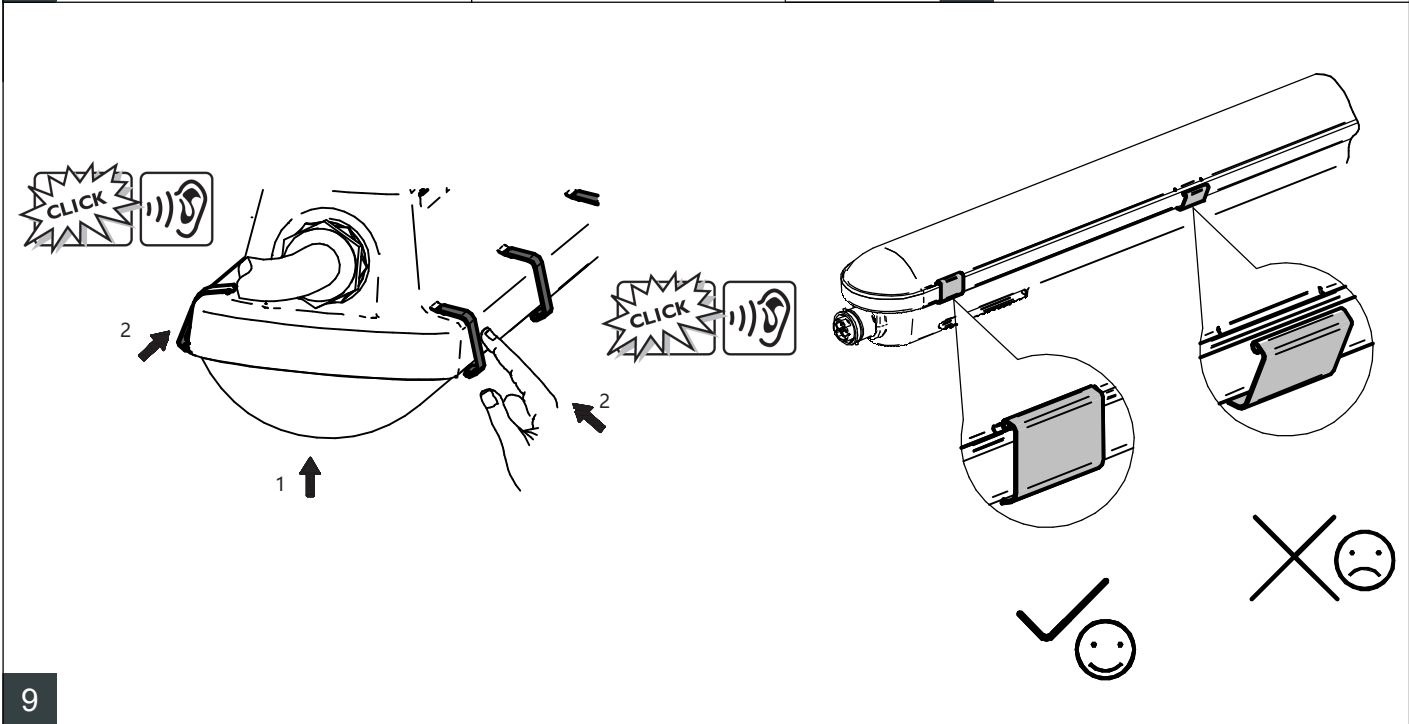
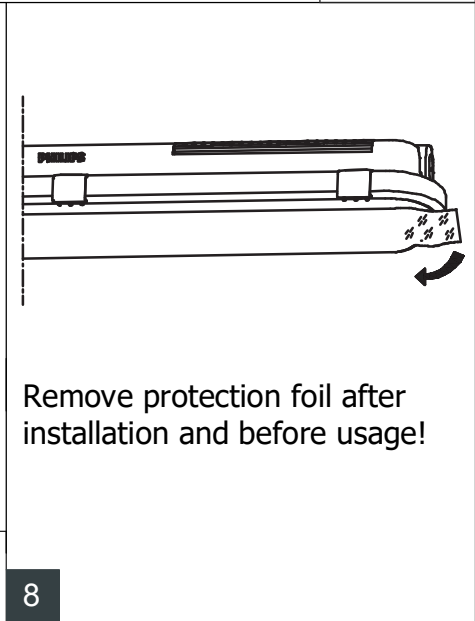
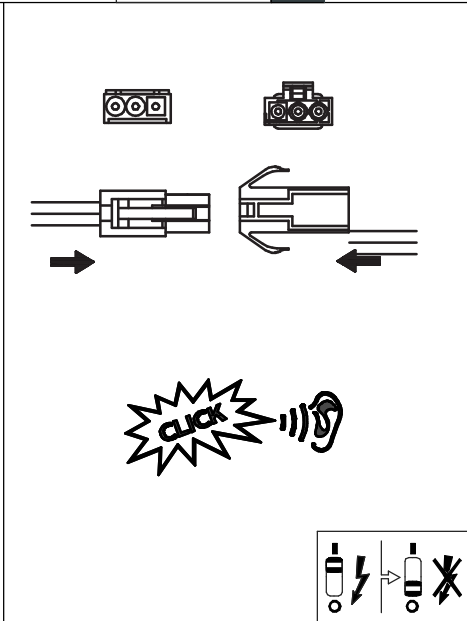
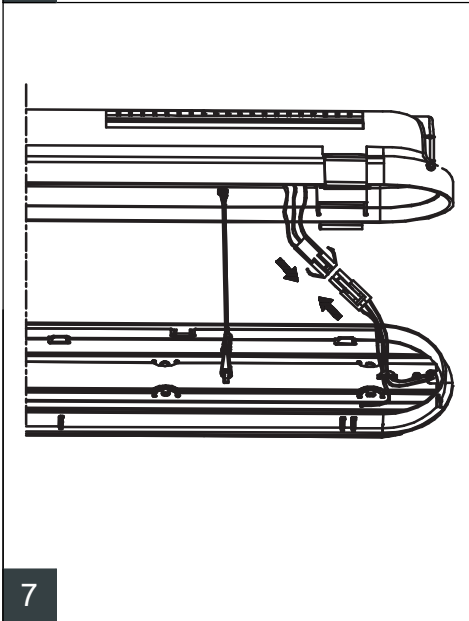
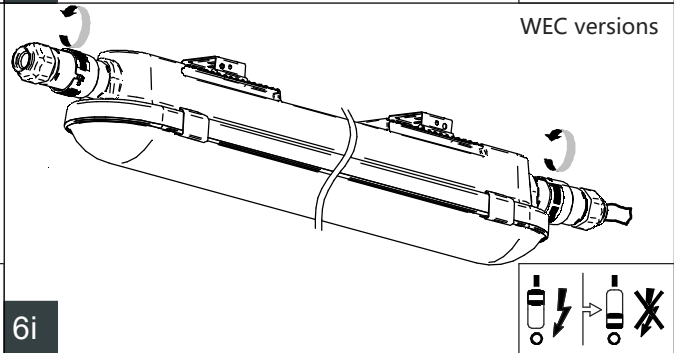
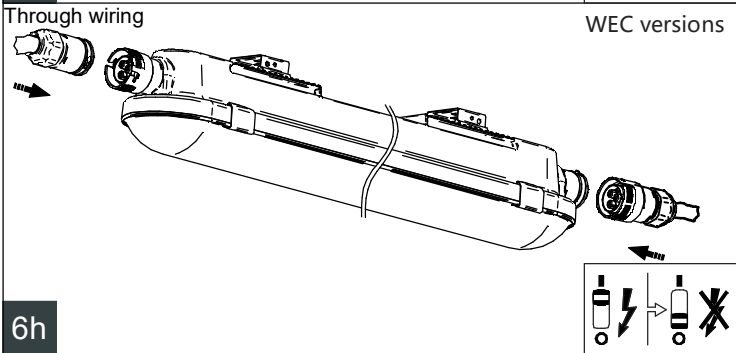
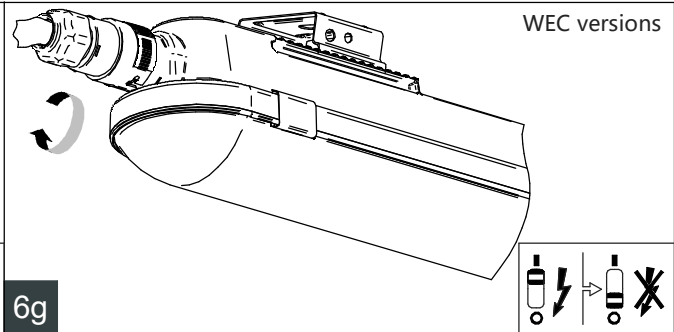
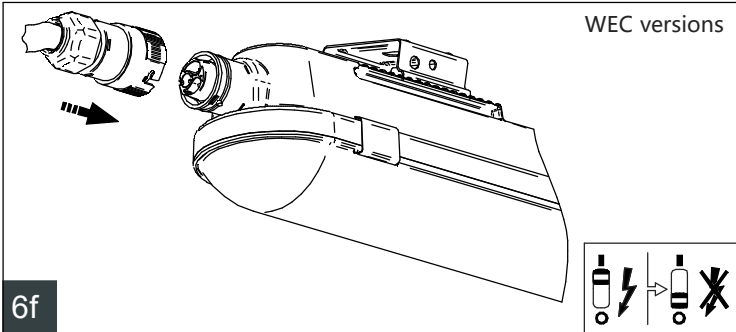
WEC versions

Through wiring



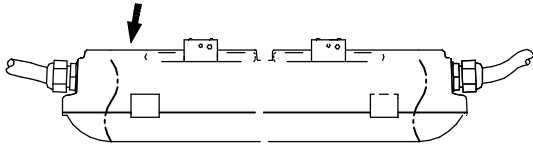
6e



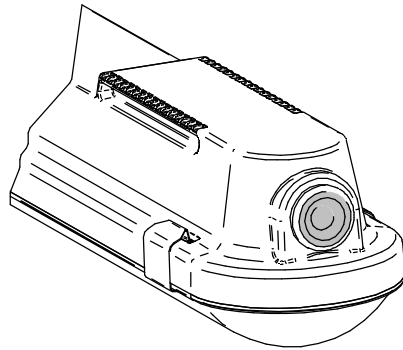
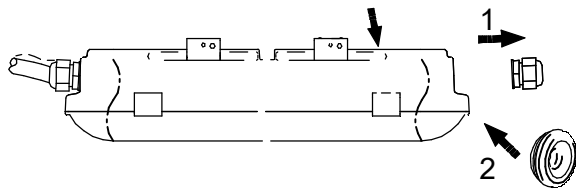




Start of line



End of line

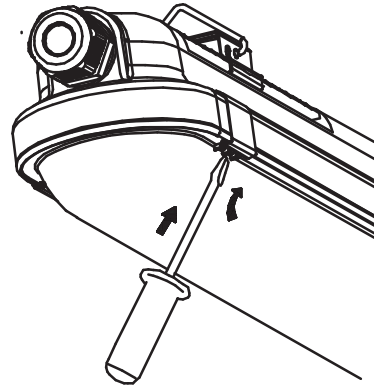


10

SERVICE

Light source (LED) is non-user replaceable. The light source contained in this luminaire shall only be replaced by the manufacturer or his agent or a similar qualified person.

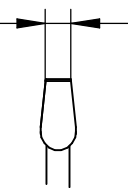
Do not touch electronic components!
Electronic components maybe under high voltage.
Caution, risk of electric shock



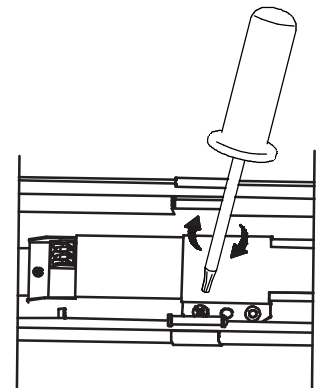
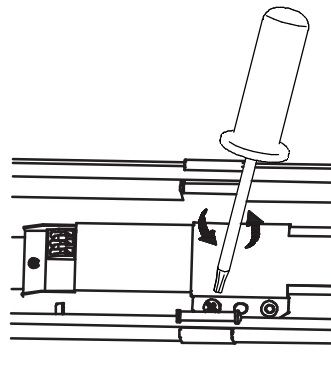
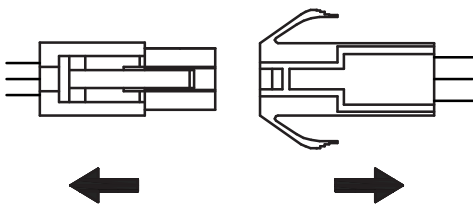
ATTENTION
OBSERVE PRECAUTIONS
FOR HANDLING
ELECTROSTATIC
SENSITIVE
DEVICES

Maximal screwdriver size:

MAX 6mm

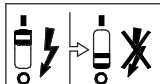


11a



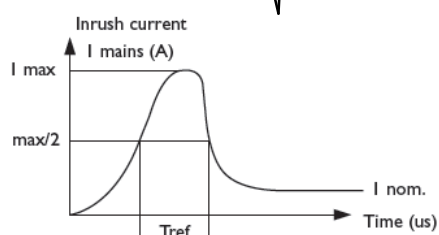
1,2Nm

New driver



11b

	LED19S			LED27S			LED34S	
Driver type	PSU (Certa)	PSU (Xitanium)	PSD	PSU	PSD	PSU	PSD	
I _{peak} [A]	3,58	15,1	19,4	3,58	19,4	5,16	19,4	
T _{ref} [μs]	40	230	200	40	200	47	200	
Max. Nr of products								
Drivers / MCB 16A type B [max.]	80	33	30	80	30	60	30	
Drivers / MCB 10A type B [max.]	50	20	18	50	18	37	18	
Drivers / MCB 16A type C [max.]	136	56	51	136	51	102	51	
Drivers / MCB 10A type C [max.]	80	34	31	80	31	62	31	



	LED40S					LED60S					LED80S	
Driver type	PSU	PSU (Xitanium)	PSD	IA1	PSU	PSU (Xitanium)	PSD	IA1	PSU	PSD	PSU	PSD
I _{peak} [A]	5,16	15,1	19,4	22	5,56	17,8	20,9	22	6,9	20,9		
T _{ref} [μs]	47	230	200	270	47	282	192	270	58	192		
Max. Nr of products												
Drivers / MCB 16A type B [max.]	60	33	30	22	45	24	29	22	30	29		
Drivers / MCB 10A type B [max.]	37	20	18	13	28	15	18	13	18	18		
Drivers / MCB 16A type C [max.]	102	56	51	37	76	40	49	37	51	49		
Drivers / MCB 10A type C [max.]	62	34	31	22	46	24	30	22	31	30		

Maintenance instructions

To assure the lighting quality of this unique LED lighting concept there are only a few instructions regarding the maintenance of this LED luminaire:

- * Do not stare into LED light beam
- * The luminaire shall be installed by a qualified electrician and wired in accordance with the latest IEE electrical regulations or the national requirements
- * Above average concentration of sulfur effects the useful lifetime of the product.
E.g: Light color changes from white to blue. Typically in chicken & pig farms
- * The luminaires are not suitable for CBS (Central Battery System)

