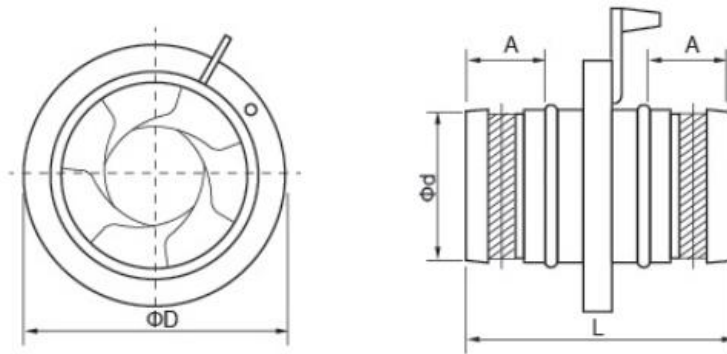


Iris Damper (ID)



- Gasket: double lips EPDM rubber
- Class of airtightness: C class according to EN1751:2014
- Available sizes: 80mm to 800mm
- Plastic part: available in orange and yellow color

Dimension:



Item code	d(mm)	D(mm)	L(mm)	A(mm)
ID 080	79	125	115	33
ID 100	99	165	115	27
ID 125	124	188	115	27
ID 150	149	230	115	27
ID 160	159	230	115	27
ID 200	199	285	120	27
ID 250	249	335	135	33
ID 300	299	405	140	33
ID 315	314	405	140	33
ID 400	398	525	150	46
ID 500	498	655	150	46
ID 630	628	815	155	46
ID 800	798	1015	285	110

Technical data

